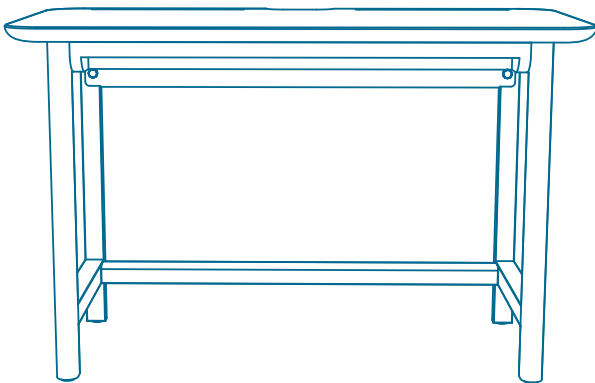




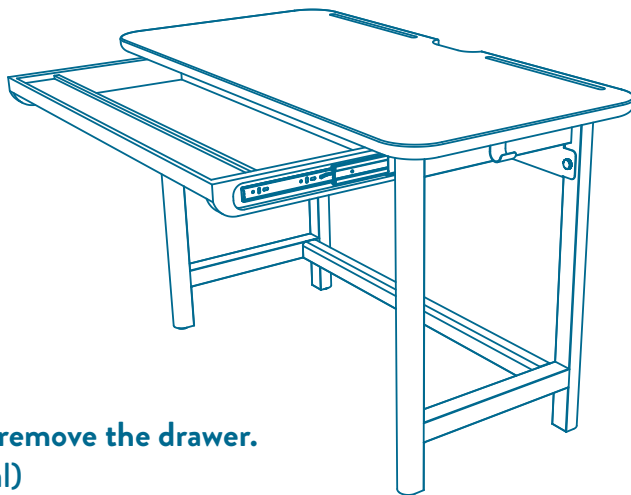
# Koraido



**WORKMATE DESK  
DRAWER REMOVAL**

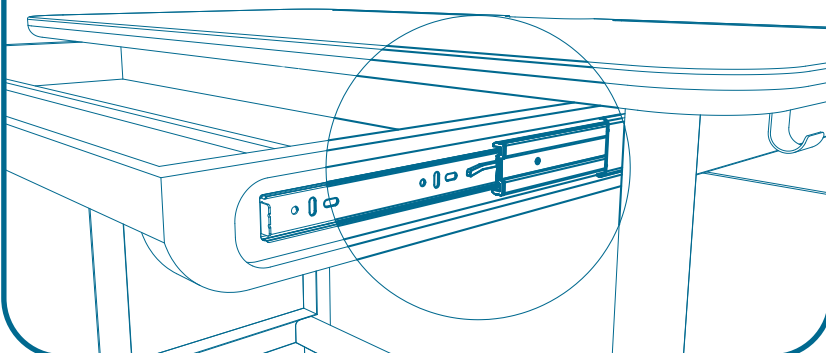


**1.**



**How to remove the drawer.  
(optional)**

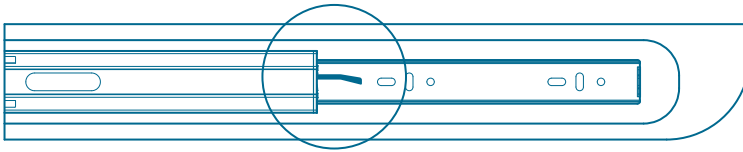
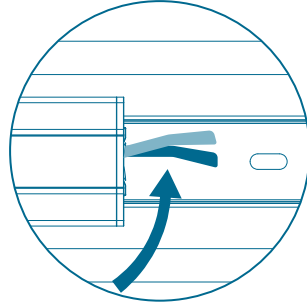
**2.** Empty the drawer of any contents.  
Completely open the drawer and locate the  
release levers





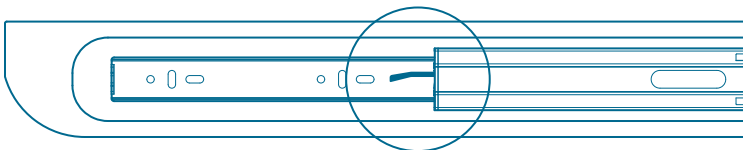
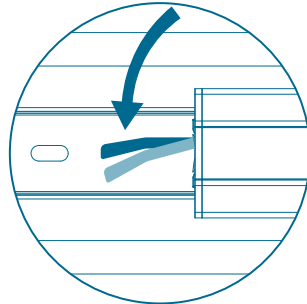
**3.**

On the left hand side,  
push the lever upwards  
until it clicks.



**4.**

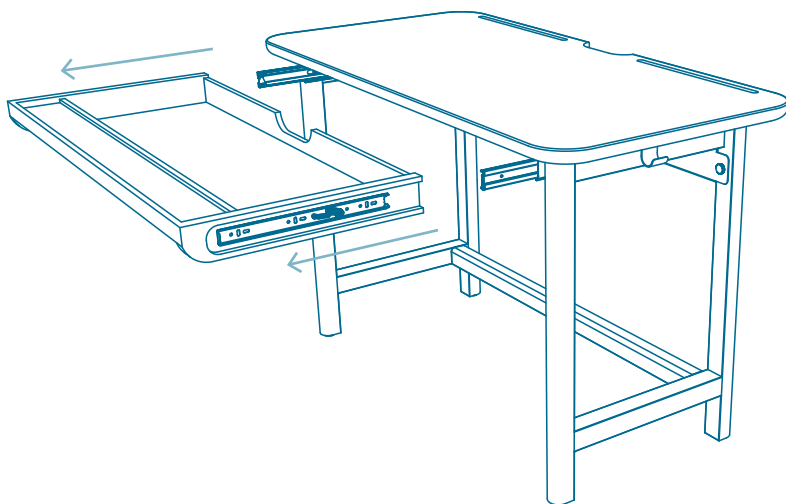
On the right hand side,  
push the lever downwards  
until it clicks.

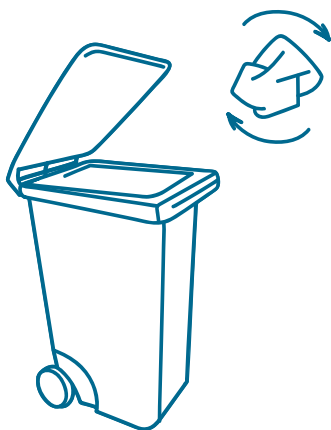




**5.**

**Once the levers are unlocked,  
pull out the drawer to remove it.**





**don't forget to recycle**

**kóala**