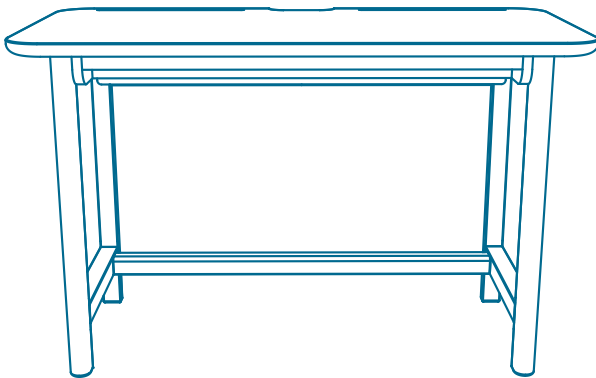


Click the button
to watch the
assembly video



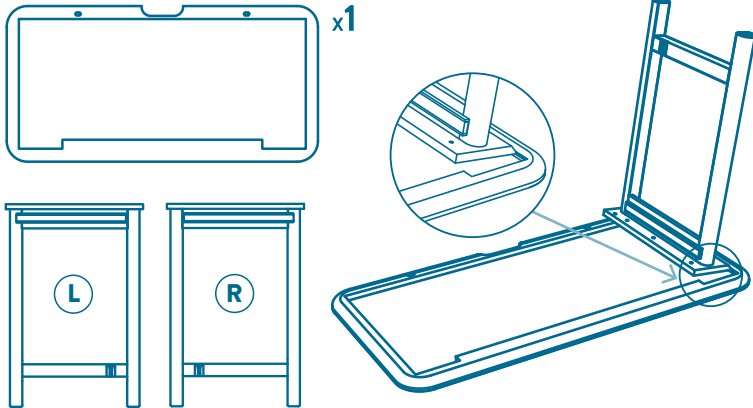
WORKMATE DESK

Ko'da

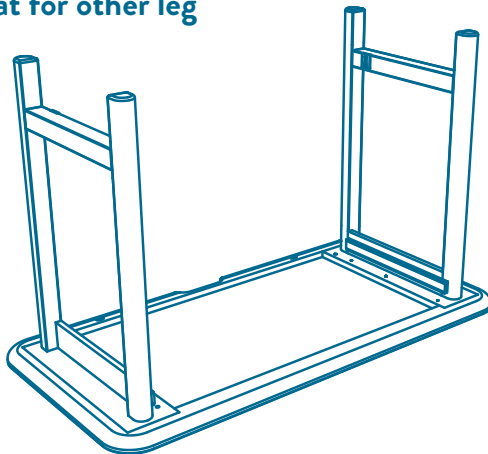
Click the button
to watch the
assembly video



1. Position leg frame into desk top

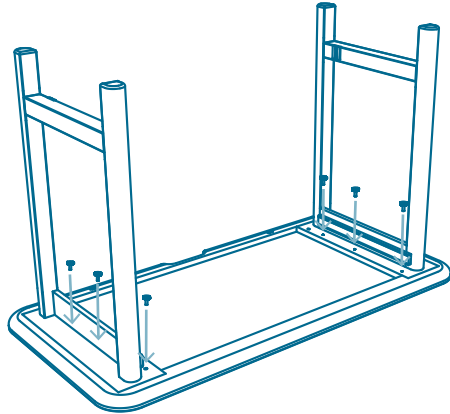
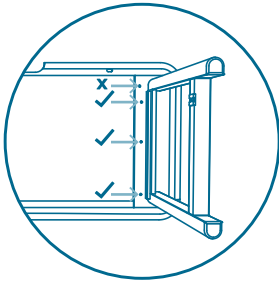
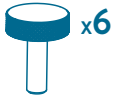


2. Repeat for other leg



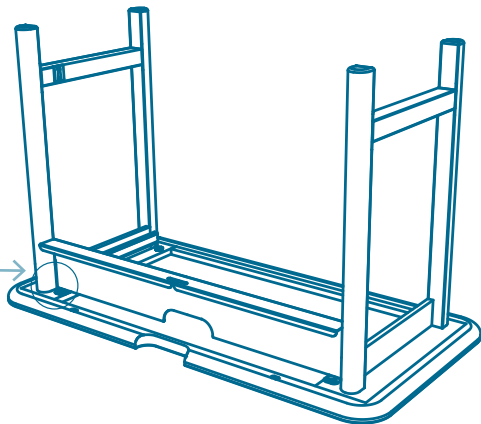
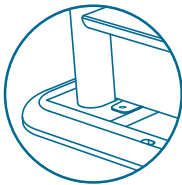


3. Secure leg frame to desk top with gumnuts



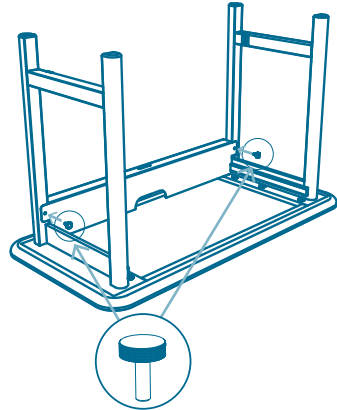
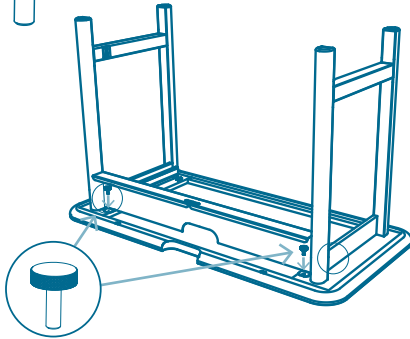
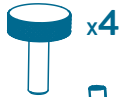
Position cable tray onto back of desk

4.

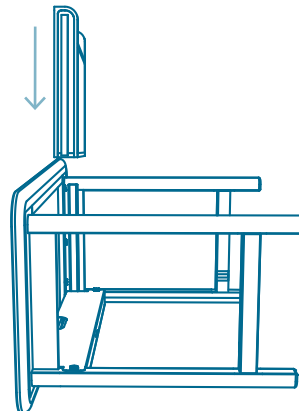
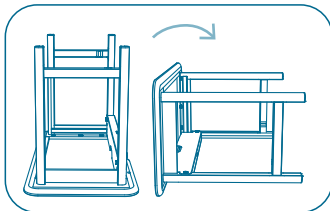




5. Fasten gumnuts in the 4 mountings points

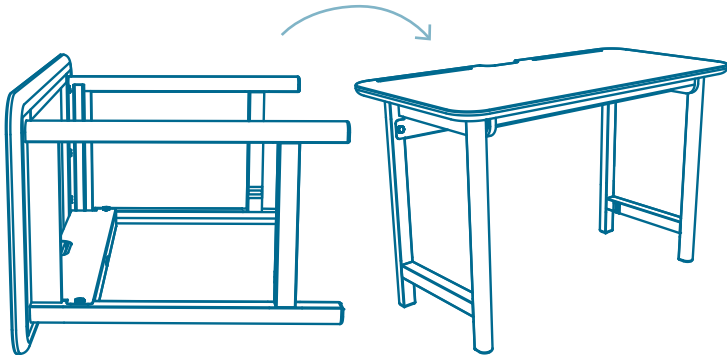


6. Flip desk and attach drawer to runners

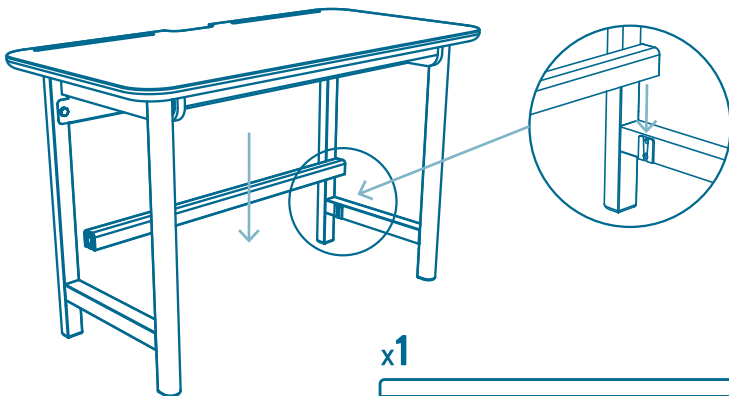




7. Place desk upright



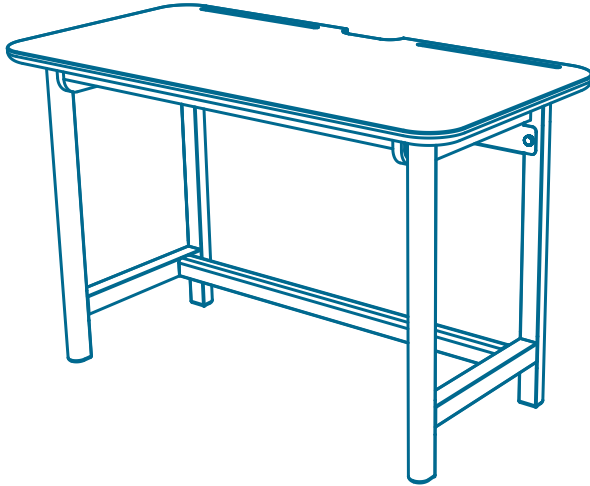
8. Lock footrail into leg frames



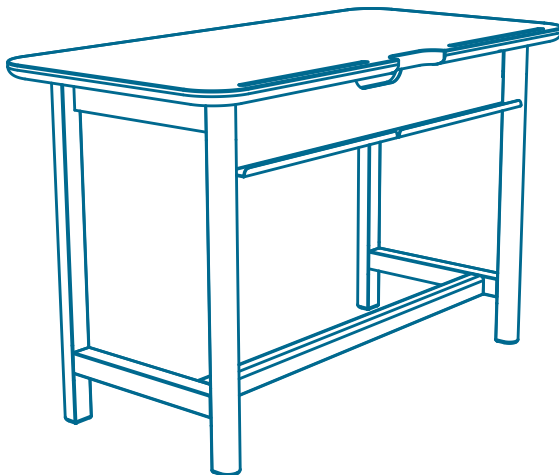
Click the button
to watch the
assembly video



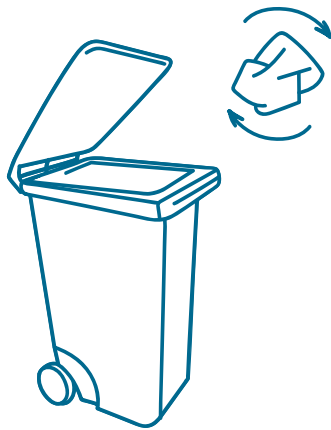
9.



10.



Click the button
to watch the
assembly video



don't forget to recycle

ko'ala