

JOEY
by kóala

WOMBAT CHEST OF DRAWERS INSTRUCTION GUIDE

WARNING

PLEASE READ ALL INSTRUCTIONS BEFORE ASSEMBLY AND USE OF PRODUCT.

RETAIN THE ASSEMBLY INSTRUCTIONS FOR FUTURE REFERENCE: READ CAREFULLY.

DO NOT REMOVE THE WARNING LABEL FROM THE CHEST OF DRAWERS.

THE ASSEMBLY OF PRODUCT REQUIRES TWO PEOPLE. FAILURE TO FOLLOW INSTRUCTIONS COULD LEAD TO SERIOUS INJURY OR DEATH.

ASSEMBLY WARNINGS

WARNING: DO NOT USE THE CHEST OF DRAWERS IF ANY PARTS ARE BROKEN, TORN OR MISSING AND USE ONLY SPARE PARTS APPROVED BY THE MANUFACTURER.

WARNING: ALL ASSEMBLY FITTINGS SHOULD ALWAYS BE TIGHTENED PROPERLY AND FITTINGS SHOULD BE CHECKED REGULARLY AND RE-TIGHTENED AS NECESSARY.

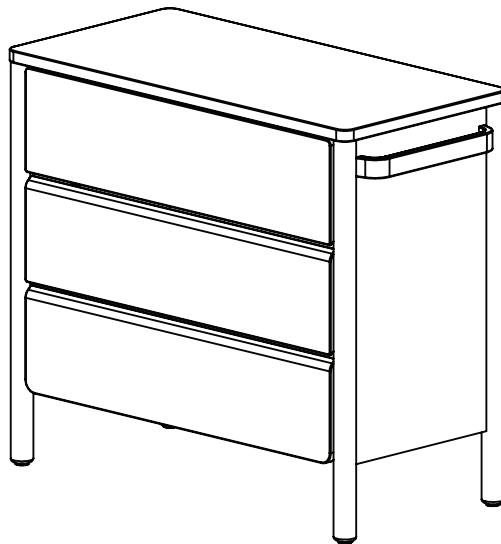
WARNING: DO NOT USE POWER DRILLS OR DRIVERS.

PRODUCT INFORMATION

THIS CHEST OF DRAWERS HAS BEEN ENDORSED AND APPROVED BY INFANT & NURSERY PRODUCTS ALLIANCE OF AUSTRALIA (INPAA).



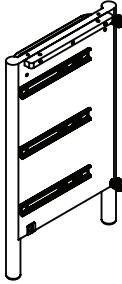
Configuration



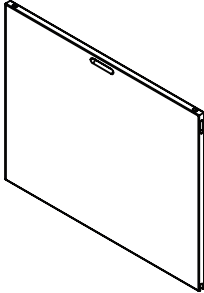
Scan the QR
code to watch the
assembly video



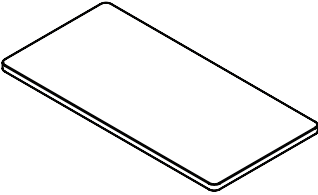
What's in the box



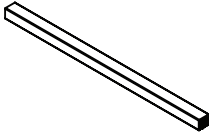
Side Panel x2



Rear Panel x1



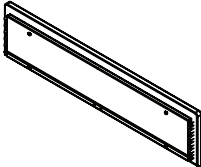
Top Panel x1



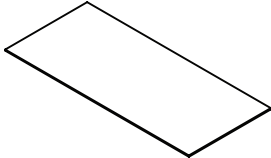
Cross Brace x1



Dowel x4



Drawer Front Panel x3



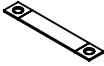
Drawer Base Panel x3



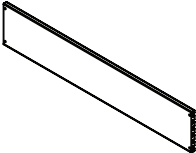
Fasteners x8



Gumnut x4



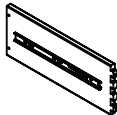
Wall Mounting Lanyard x2



Drawer Rear Panel x3



Base Support x3

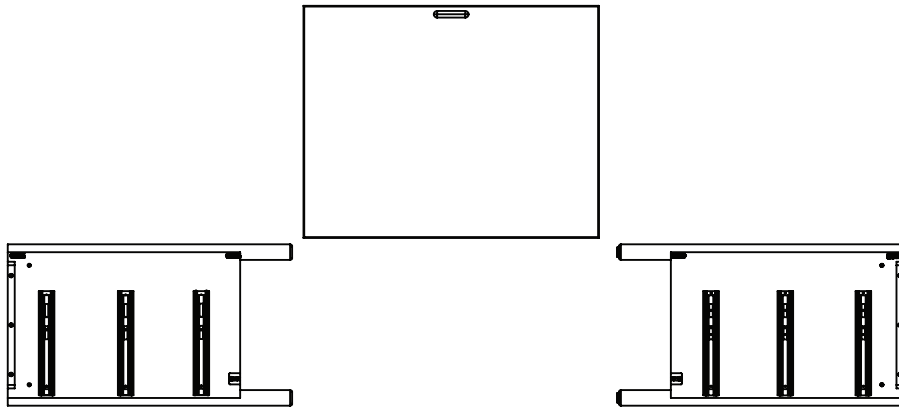


Drawer Side Panel x6



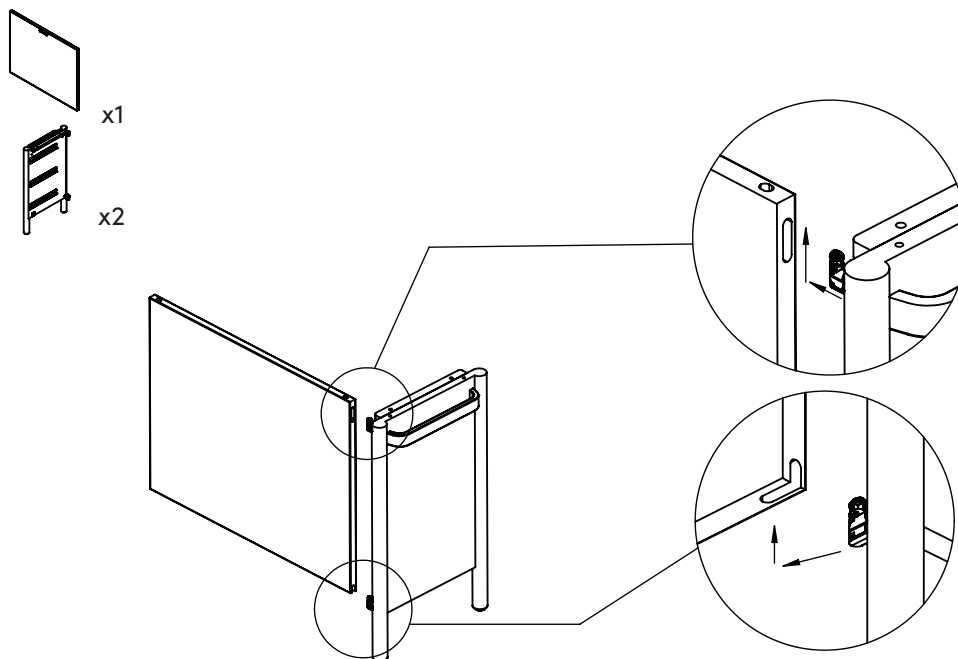
Wall Mounting Gumnut x2

Lay out the parts in the desired orientation for the room.



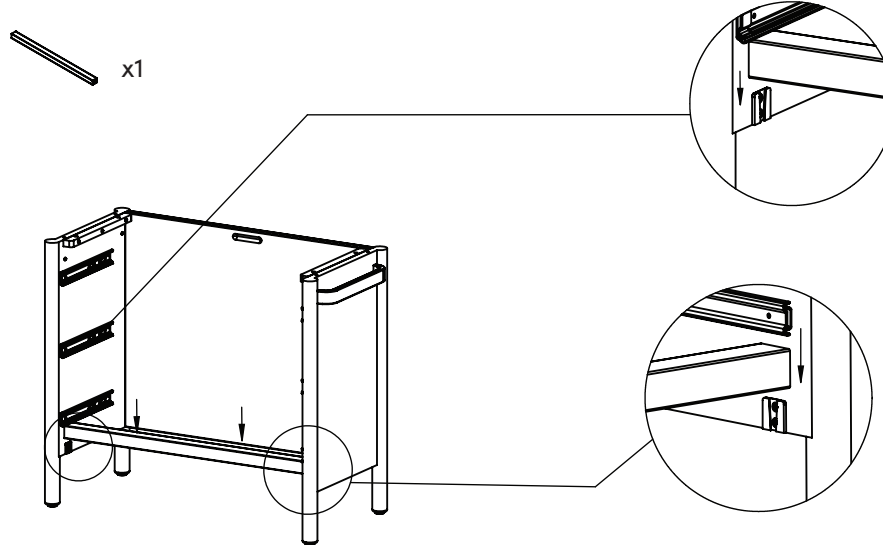
A. Frame

Step 1A: Align side panel hooks with the back panel slots. Push the back panel down to ensure they are locked in. Repeat steps for the other side.



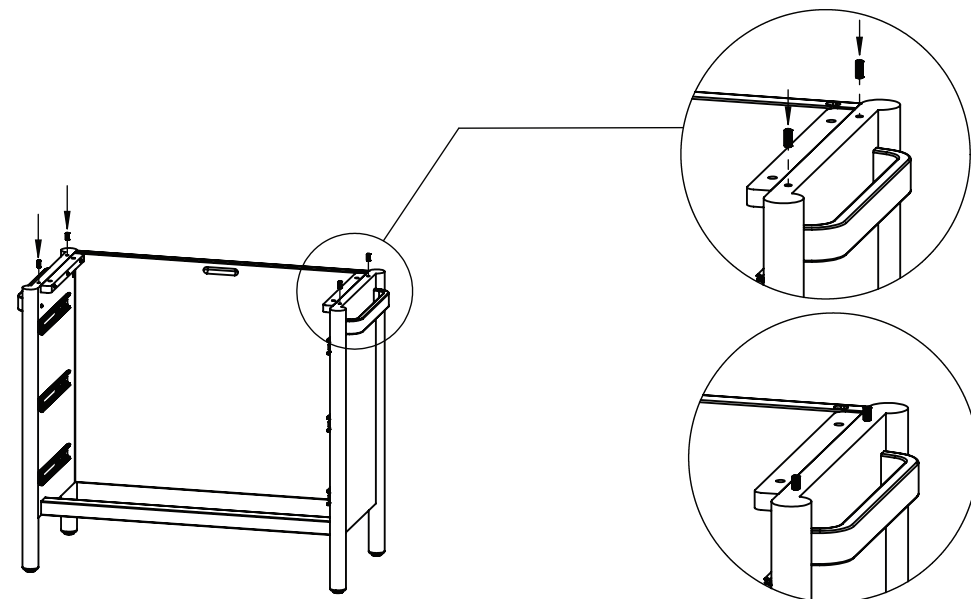
A. Frame

Step 2A: Attach the cross brace to the side panels by aligning the brackets on the ends and pushing down.



A. Frame

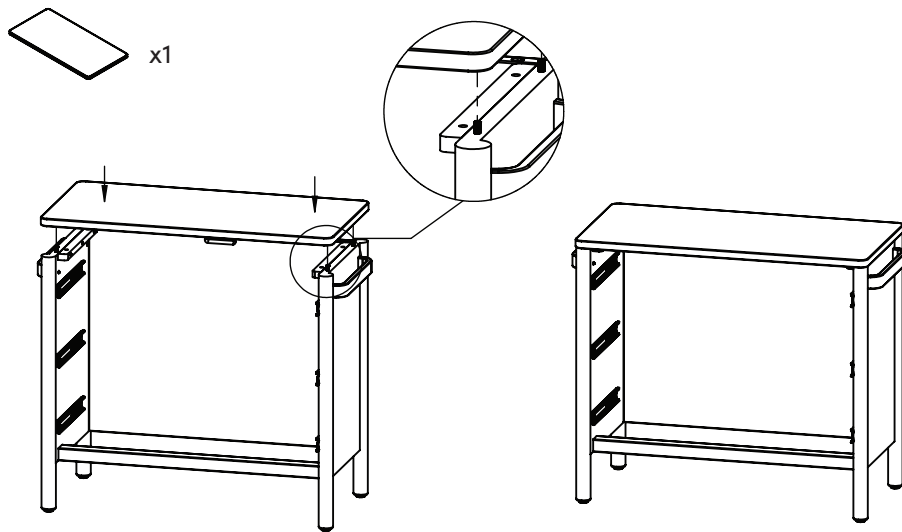
Step 3A: Insert dowels into the side panel.



A. Frame

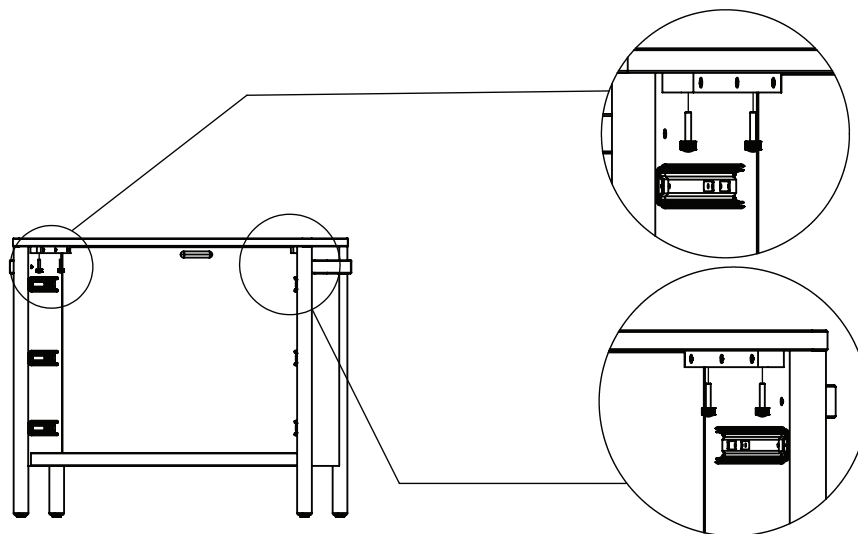
Step 4A: Lower the top panel carefully into position.

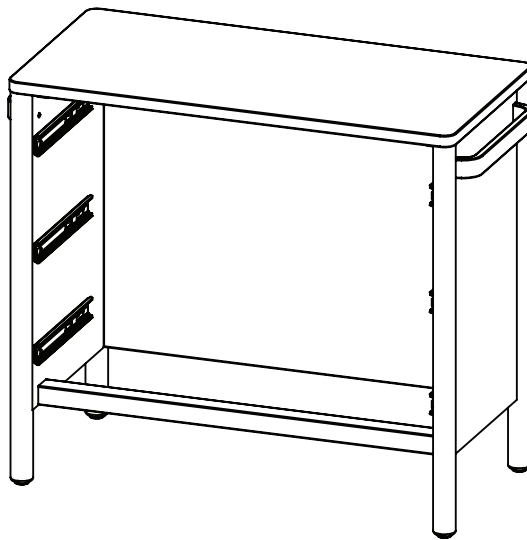
Note: Make sure the wall lanyard hole threads are facing the back.



A. Frame

Step 5A: Using the gumnuts provided, secure the top panel to the side panels.

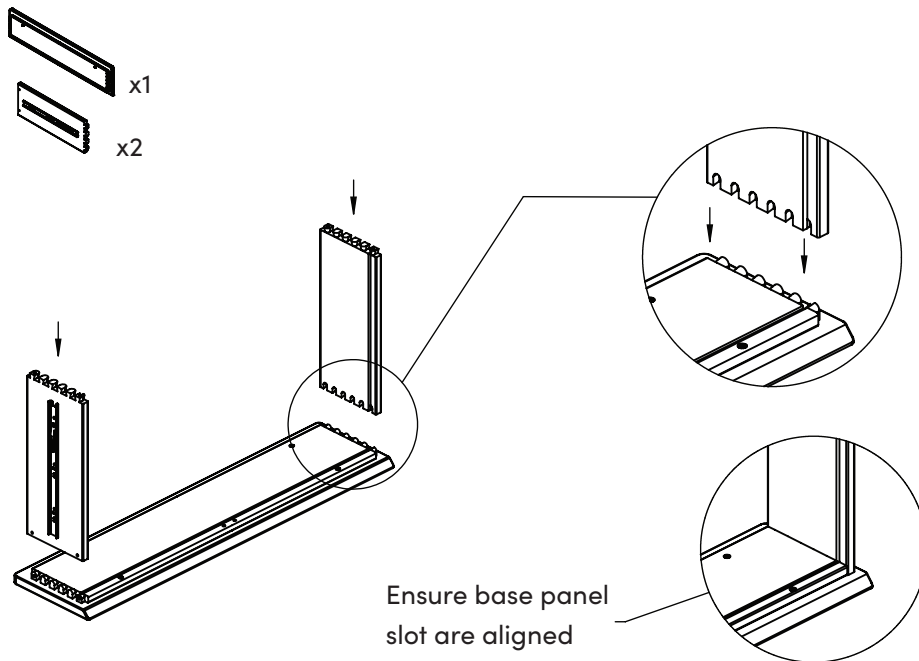




A. Chest of Drawers - Frame

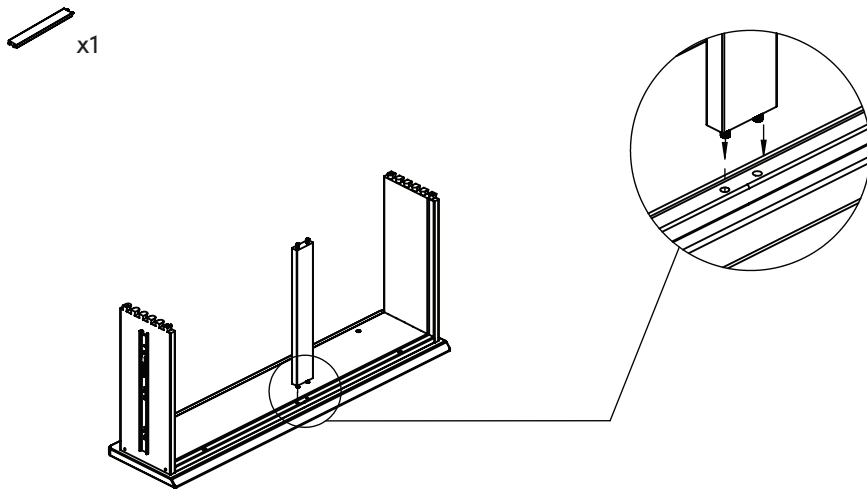
B. Drawer

Step 6B: Attach the side panel to the drawer front panel. Repeat for other side.



B. Drawer

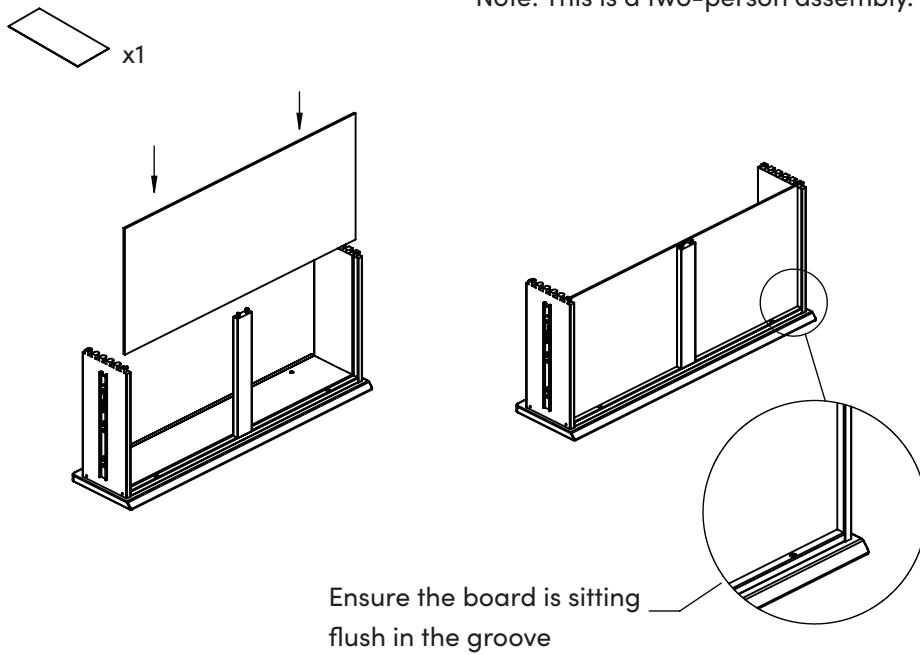
Step 7B: Insert the base support panel into the front panel.



B. Drawer

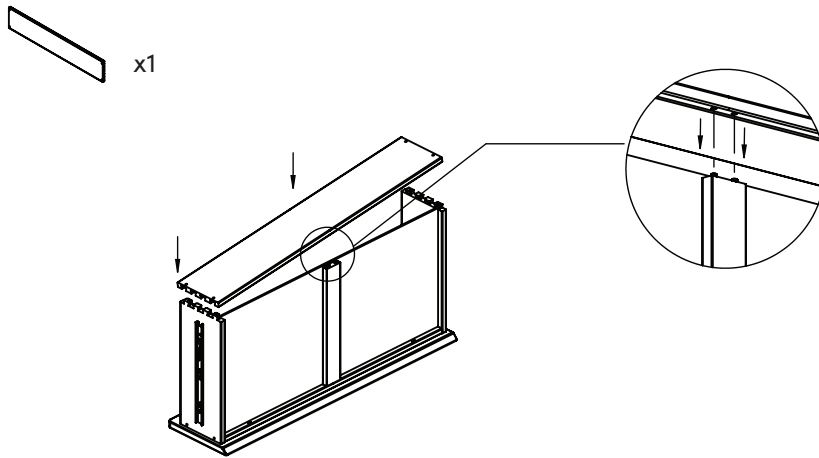
Step 8B: Slide the base panel into the pre-cut grooves as one person holds the side panels in place.

Note: This is a two-person assembly.



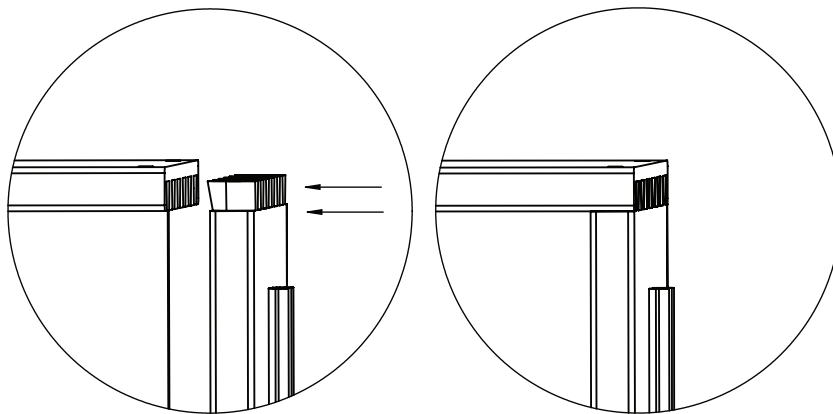
B. Drawer

Step 9B: Attach the rear panel by aligning the side panel first and then sliding the base support dowels to the rear panel. Ensure the base panel is also in the pre-cut grooves.



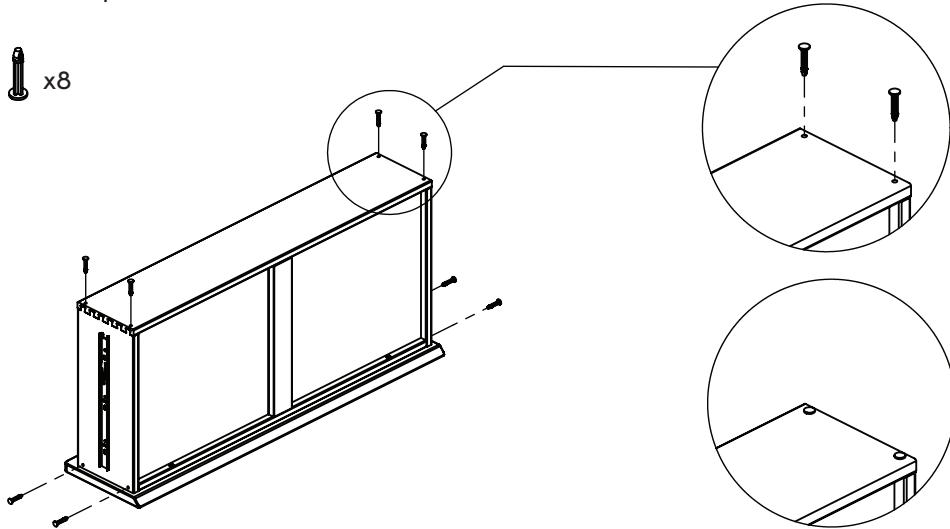
B. Drawer

Step 10B: Push the side joints into the back panel joints and ensure the edges are flush. Repeat for the other side.

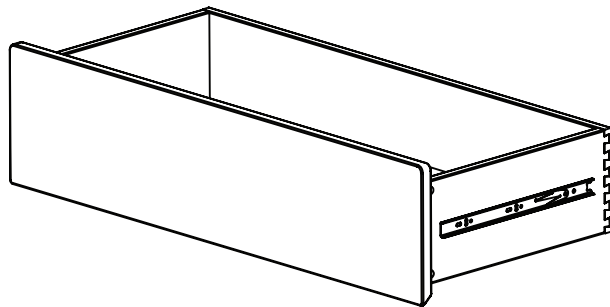


B. Drawer

Step 11B: Complete the drawer assembly by inserting the fasteners into the drawer panels.

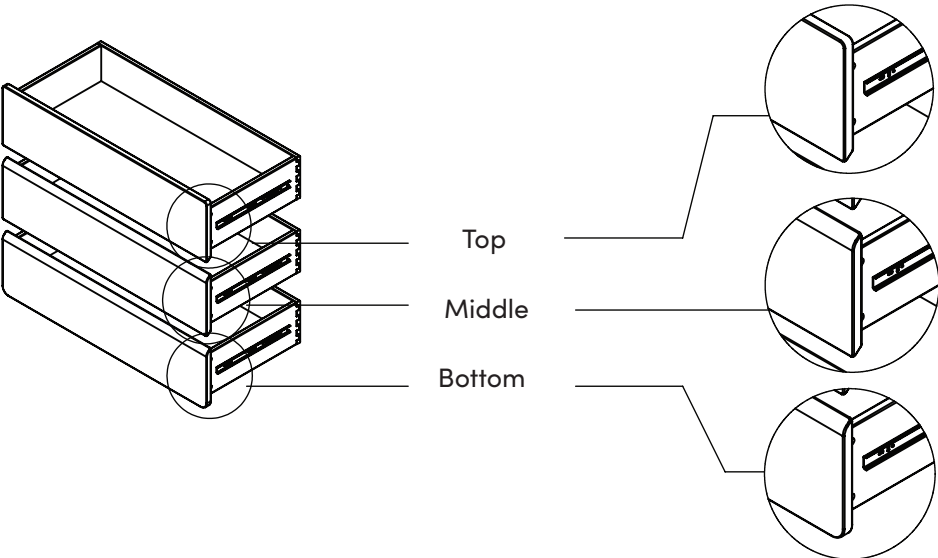


Repeat steps 6-11 for other two drawers.



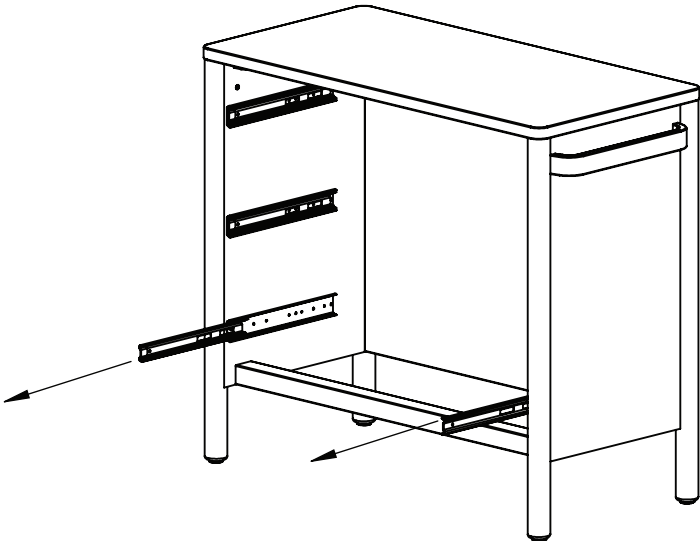
B. Chest of Drawers - Drawer

Drawer configuration - Stickers indicate drawer position.



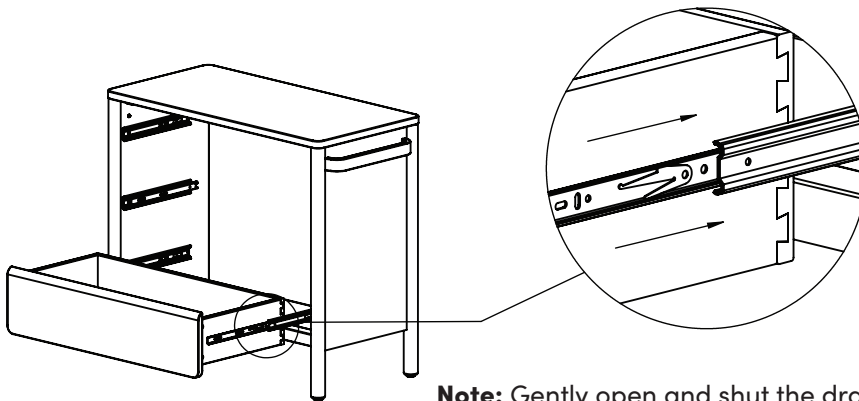
B. Drawer

Step 12B: Extend the bottom drawer sliders out of the main frame.



B. Drawer

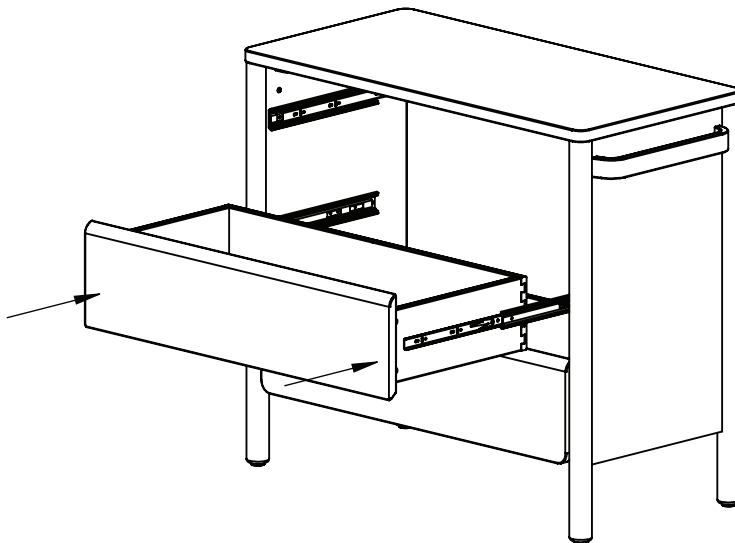
Step 13B: Insert the drawer runners into the extended drawer sliders. Push the drawer into the frame until you hear a click.



Note: Gently open and shut the drawer a few times to make sure the drawer runners are fitted properly.

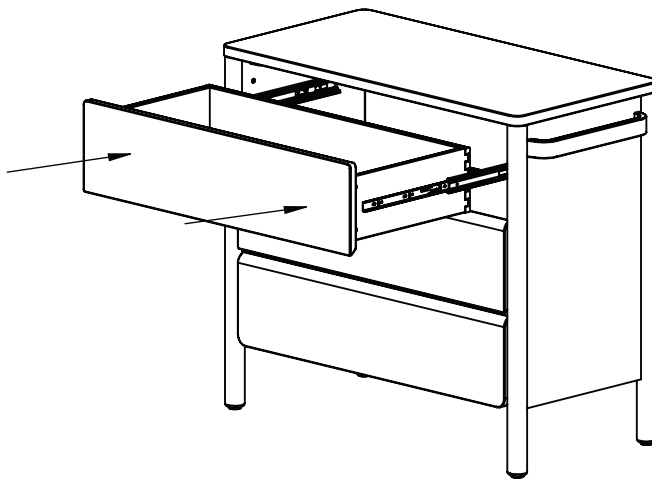
B. Drawer

Step 14B: Repeat steps 12 & 13 for the middle drawer.



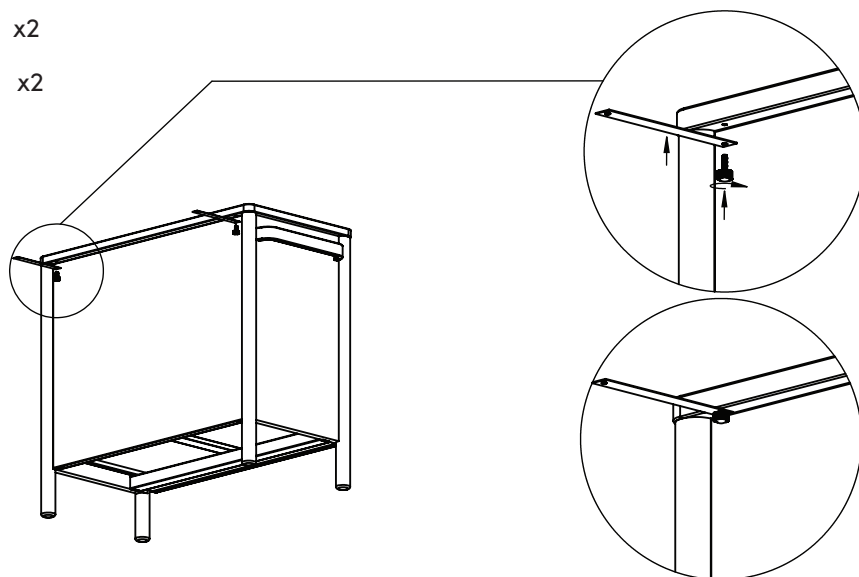
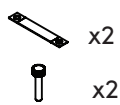
B. Drawer

Step 15B: Repeat steps 12 & 13 for the top drawer.



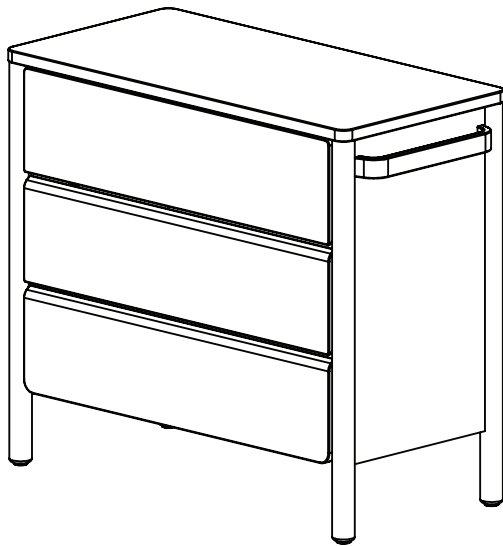
B. Drawer

Step 16B: Secure the wall mounting lanyards to the back of the chest of drawers using the gumnuts provided.



Note: Attach the wall mounting lanyards to the wall.

To avoid damage to yourself, your property, or your landlords, please seek advice from a qualified tradesperson on how to attach the restraints to your wall.



Chest of Drawers

Manufactured for Koala Sleep Pty Ltd

Website: koala.com

Phone: 1800 575 337

Address: Unit 12 37-41 O'Riordan Street, Alexandria,
NSW 2015, Australia

Date of launch - 03/2023

SKU-109-0003