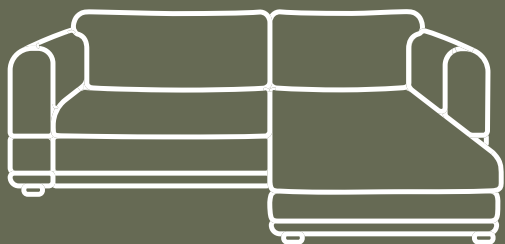


Wanda Sofa Bed

Click the button
to watch the
assembly video



Wanda Koo'le

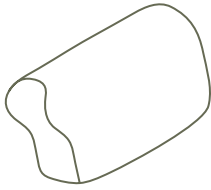
What's in the box*:

*Not to scale



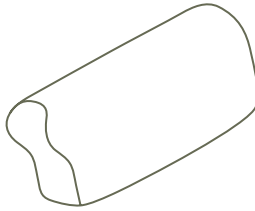
x2

Assemble with two people



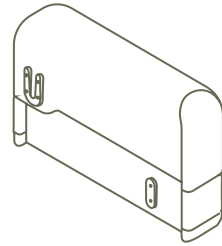
x1

Short Backrest
Cushion



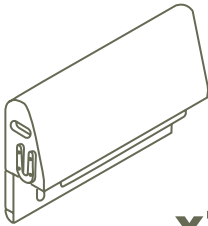
x1

Long Backrest
Cushion



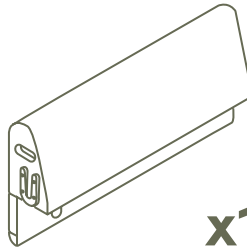
x1

Right Armrest



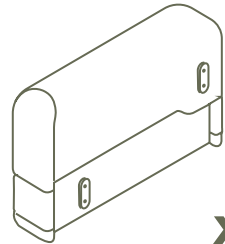
x1

Short Backrest



x1

Long Backrest

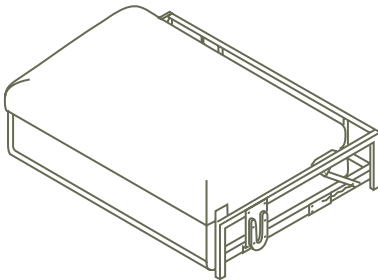


x1

Left Armrest

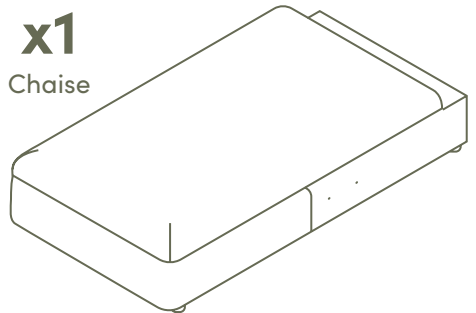
x1

Seat



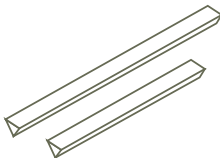
x1

Chaise



x1

Hook



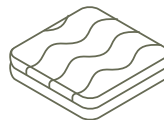
x2

Wedge
Pieces



x10

Legs



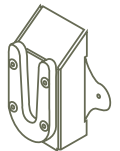
x1

Mattress
Topper



x2

Gumnuts



x2

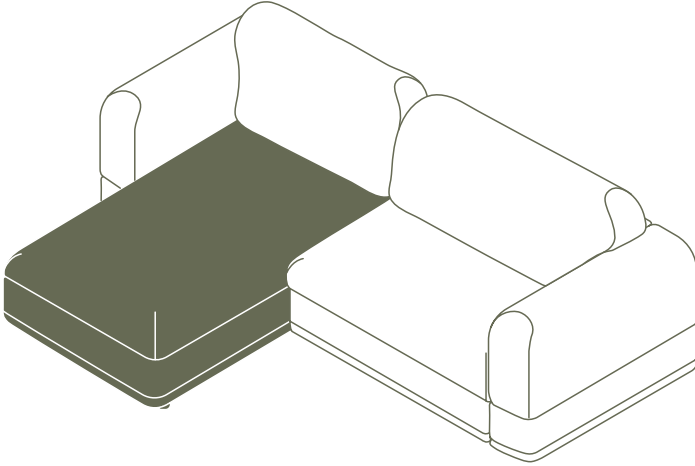
Spacer
Bracket

Decide if you would like a left-hand or right-hand chaise.

Start at the step number as shown below

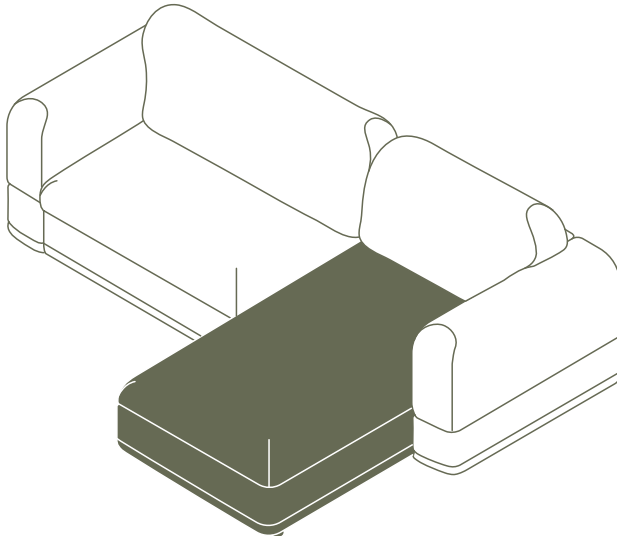
Start at Step

1.



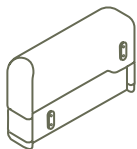
Start at Step

11.



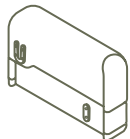
1.

Assemble the legs on the base of arms and chaise module



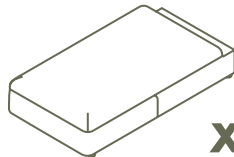
x1

Left Armrest



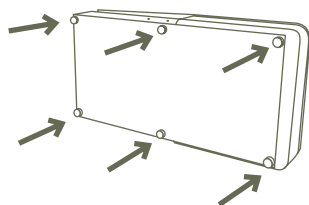
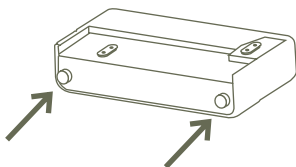
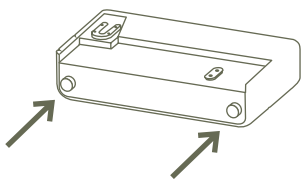
x1

Right Armrest



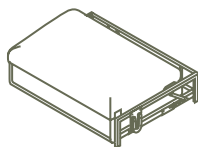
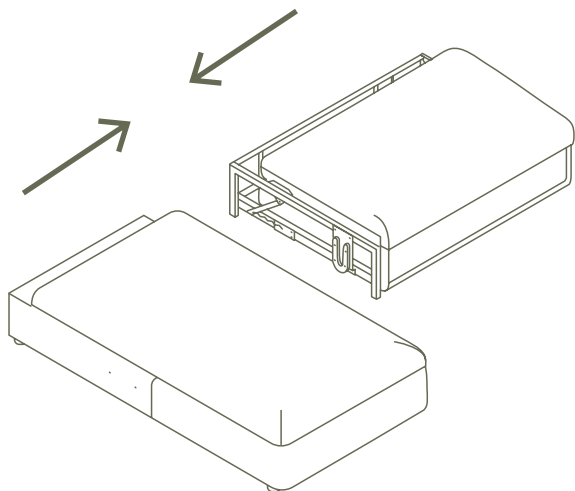
x1

Chaise



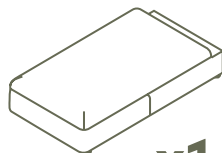
2.

Push together the chaise and seat and position where you would like in your room



x1

Seat

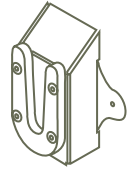
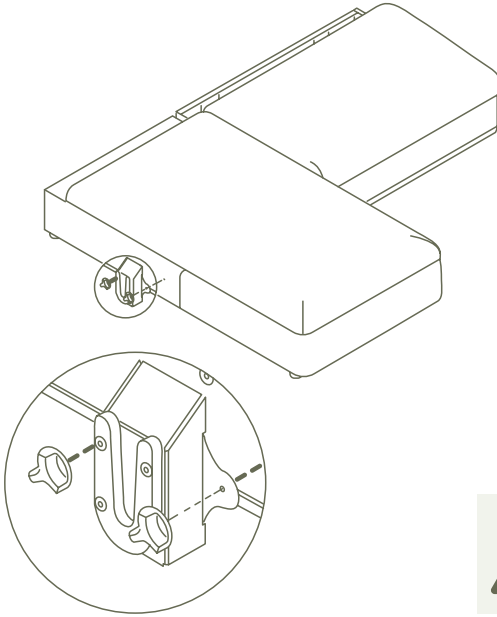


x1

Chaise

3.

Attach the spacer bracket with two gumnuts to the left side of the chaise.



x1
Spacer
Bracket



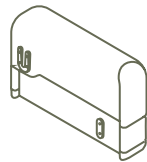
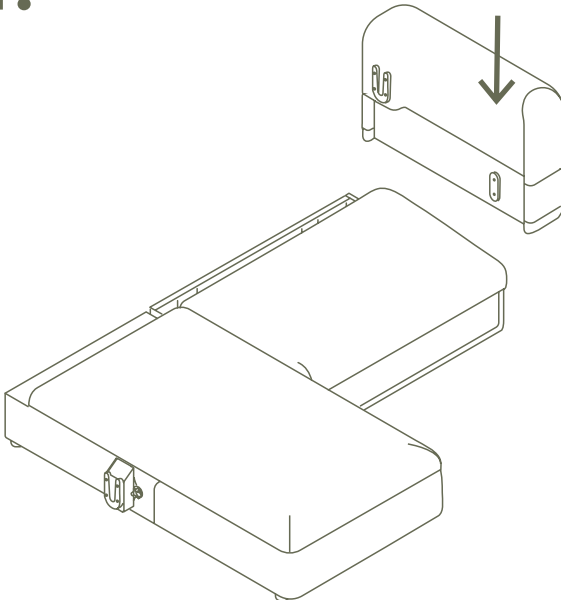
x2
Gumnuts



Ensure the spacer bracket
is oriented as shown

4.

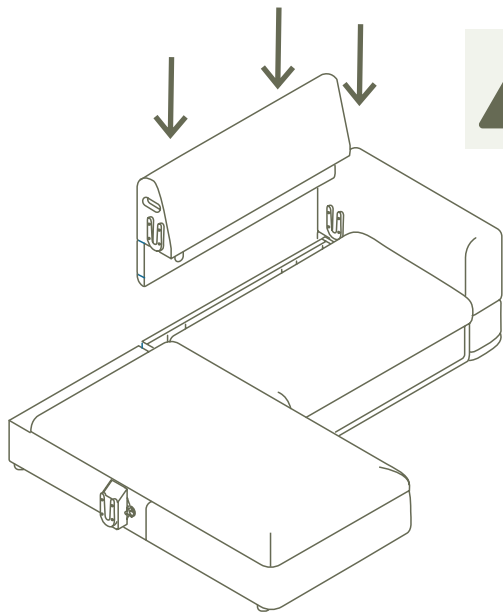
Slide the right arm onto the right-hand side of the seat.



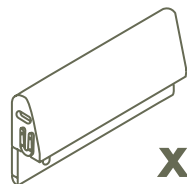
x1
Right Armrest



- 5.** Slide the long backrest onto the seat and right arm. Ensure the backrest and armrest are flush at the top



There are two connectors on the seat and one connector on the arm

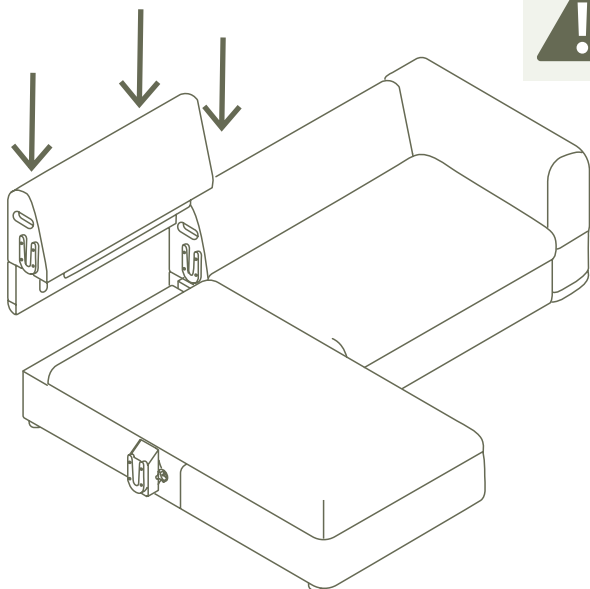


x1

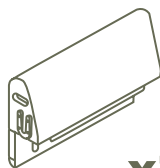
Long Backrest



- 6.** Slide the short backrest onto the chaise and long backrest

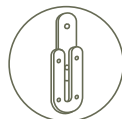


There are two connectors on the chaise and one connector on the backrest

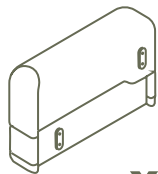
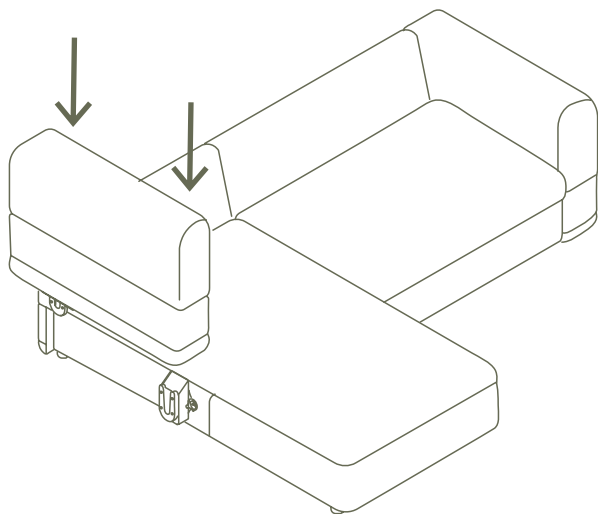


x1

Short Backrest

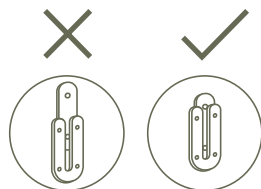


7. Slide the left arm onto the chaise

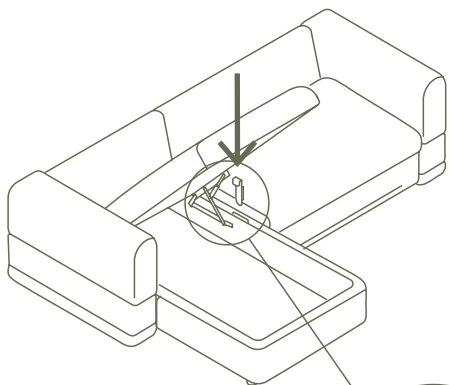


x1

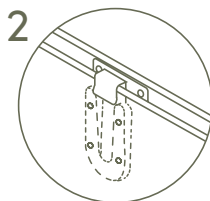
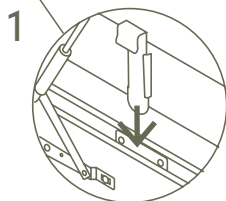
Left Armrest



8. Open the chaise storage and slide the hook into the connector on the seat side and slide all the way down.



Ensure the hook grasps the side panel of the chaise

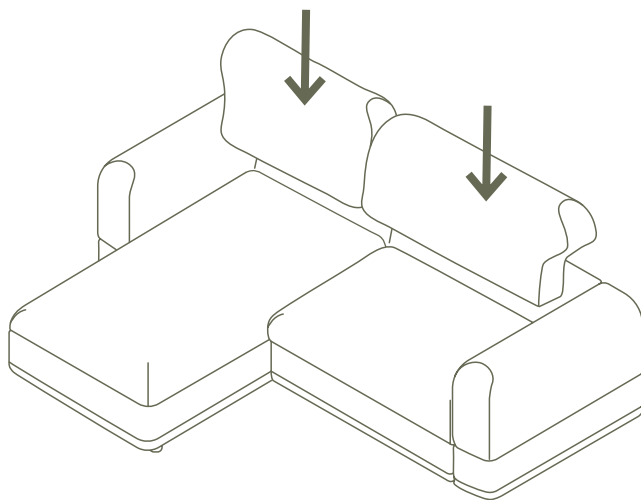


x1

Hook

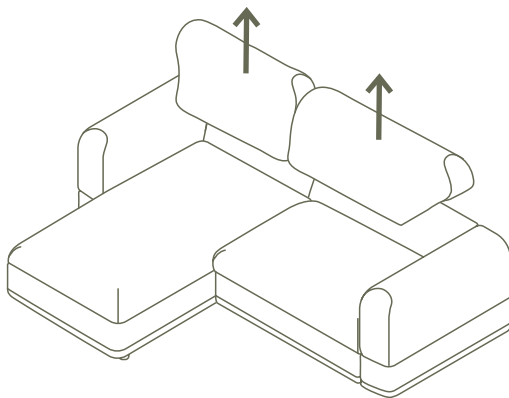
9.

Place the long backrest cushion on the seat and the short backrest cushion on the chaise.

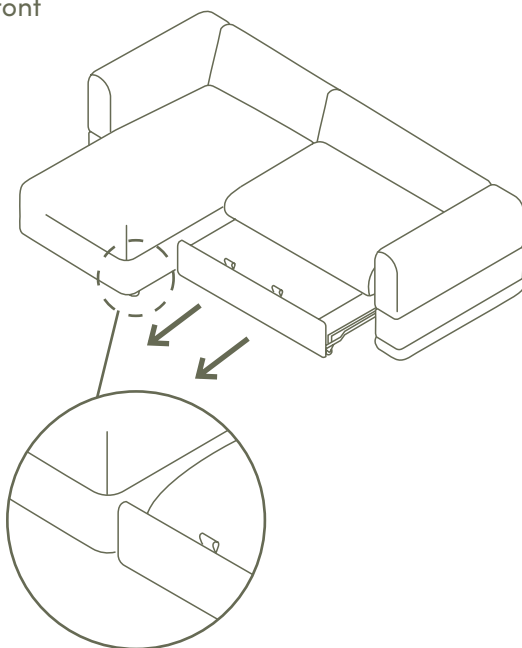


10. Converting your sofa to a sofa bed

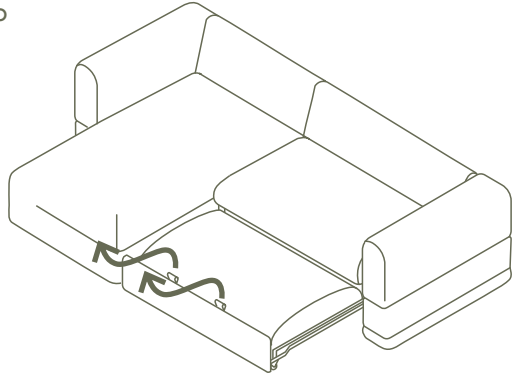
1. Remove the backrest cushions



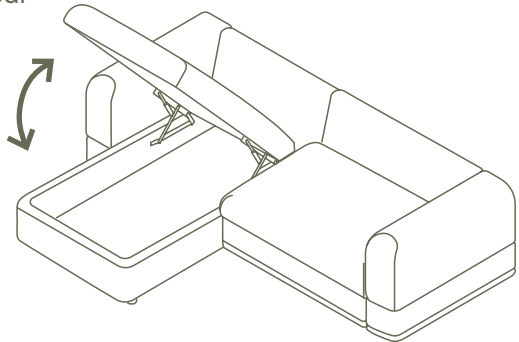
2. Pullout the stored bed with Gusto!!! Until it's flush with the front of the chaise.



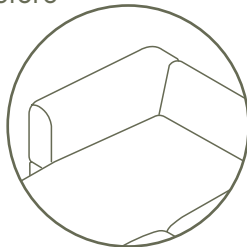
3. Lift the stored bed using the two handles



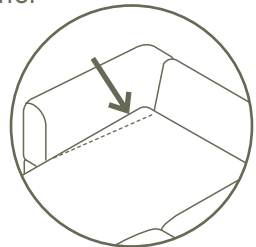
4. Open and close the chaise to its limit to change the angle in the rear of the chaise seat.



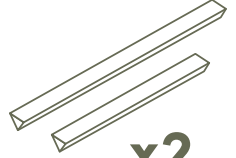
Before



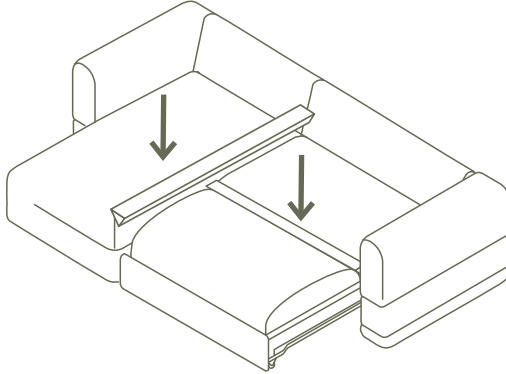
After



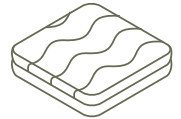
5. Insert the long and short wedge foam pieces to fill the gaps.



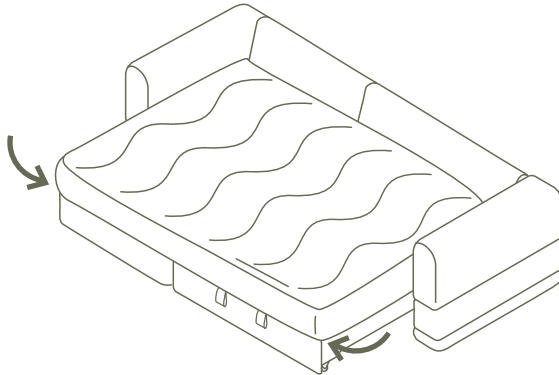
x2
Wedge
Pieces



6. Put the mattress topper over the sleep surface just like a fitted sheet.



x1
Mattress
Topper



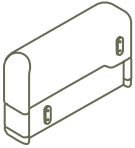
Ensure all 4 corners are tucked under the frame.

11.

Assemble the legs on the base of arms and chaise module

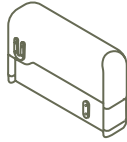


x10
Legs



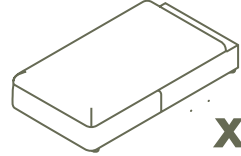
x1

Left Armrest



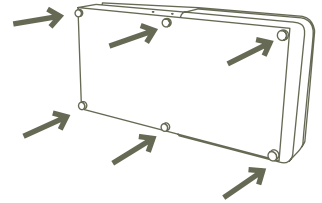
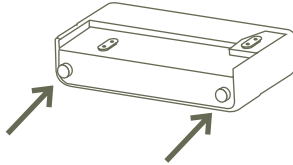
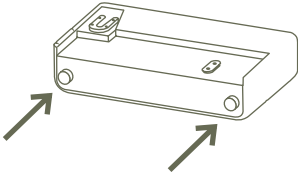
x1

Right Armrest



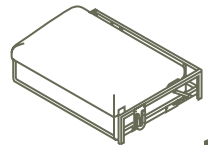
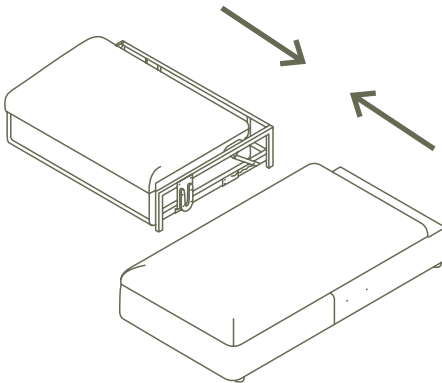
x1

Chaise



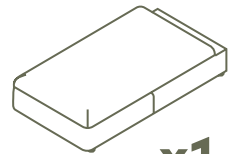
12.

Push together the chaise and seat and position where you would like in your room



x1

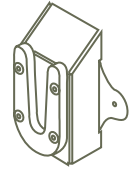
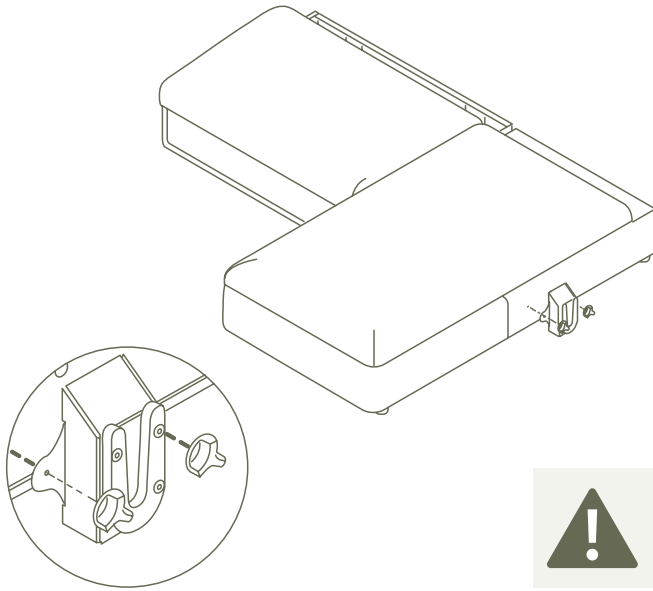
Seat



x1

Chaise


13. Attach the spacer bracket with two gumnuts to the right side of the chaise.



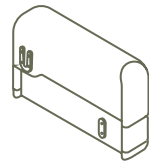
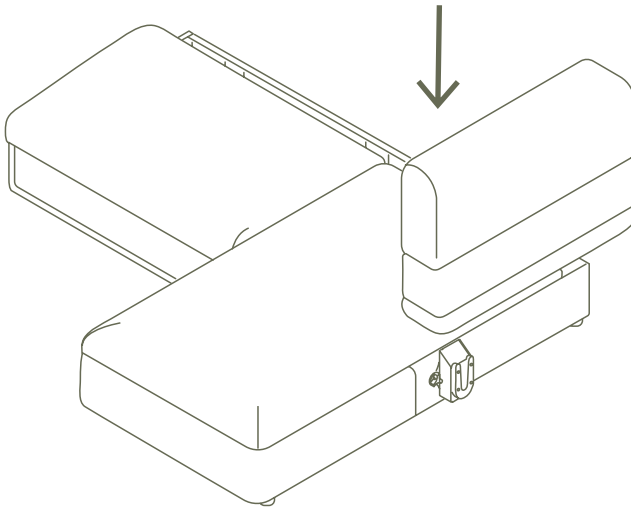
x1
Spacer
Bracket



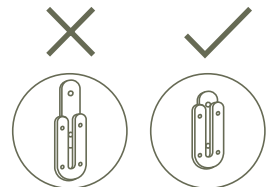
x2
Gumnuts

 Ensure the spacer bracket is oriented as shown

14. Slide the right arm onto the right-hand side of the chaise.

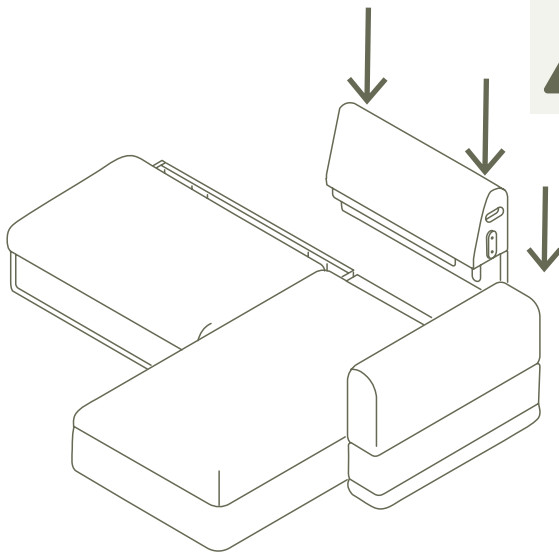


x1
Right
Armrest

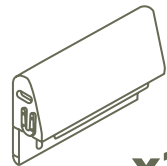


15.

Slide the short backrest onto the chaise and right arm. Ensure the backrest and armrest are flush at the top

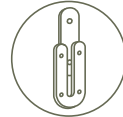


There are two connectors on the seat and one connector on the arm



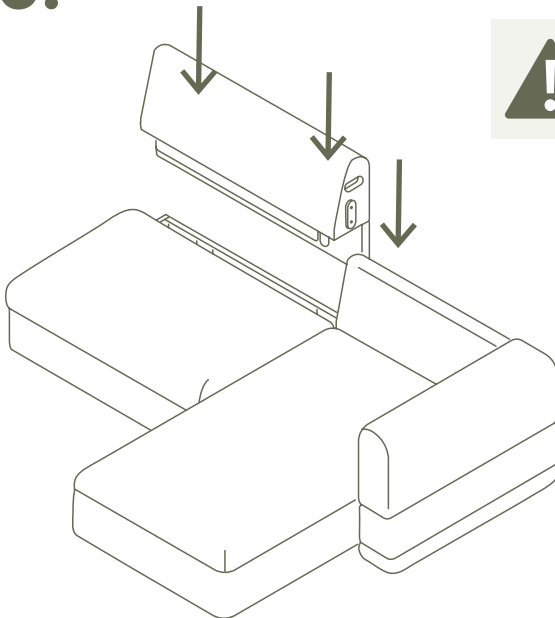
x1

Short Backrest

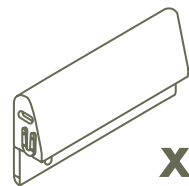


16.

Slide the long backrest onto the seat and short backrest



There are two connectors on the chaise and one connector on the backrest



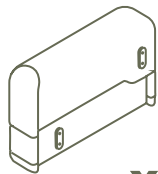
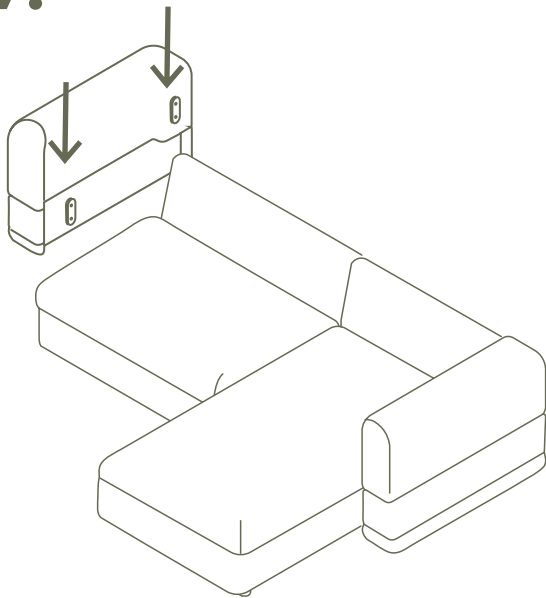
x1

Long Backrest



17.

Slide the left arm onto the seat



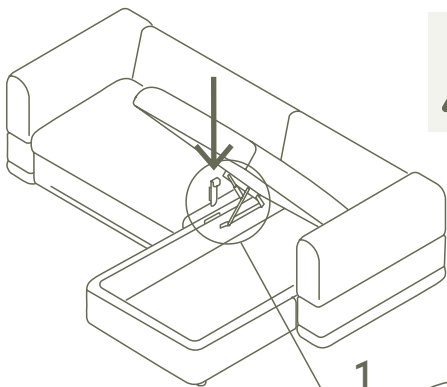
x1

Left Armrest



18.

Open the chaise storage and slide the hook into the connector on the seat side and slide all the way down.



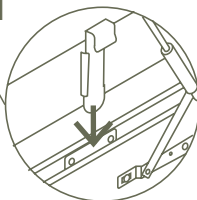
Ensure the hook grasps the side panel of the chaise



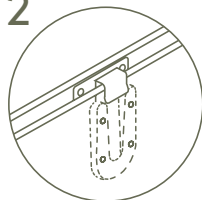
x1

Hook

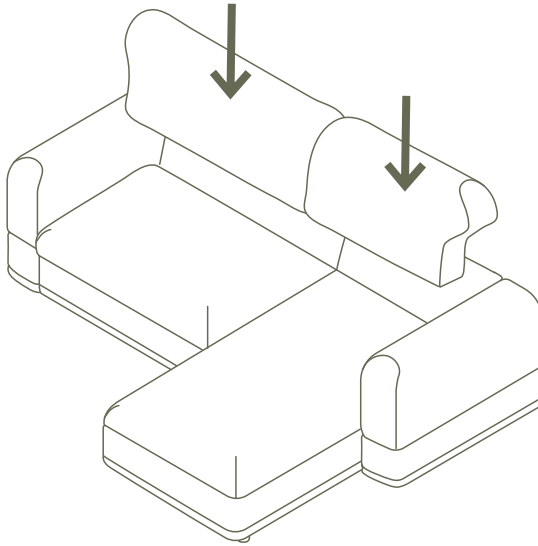
1



2

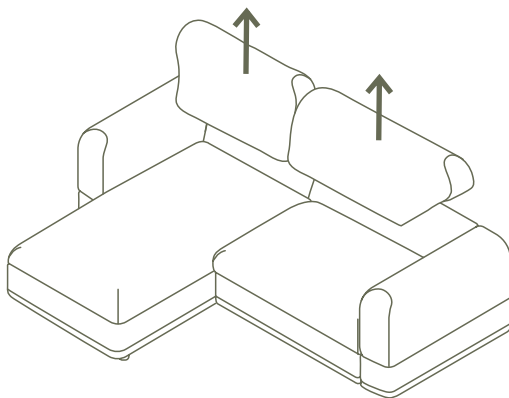


- 19.** Place the long backrest cushion on the seat and the short backrest cushion on the chaise.

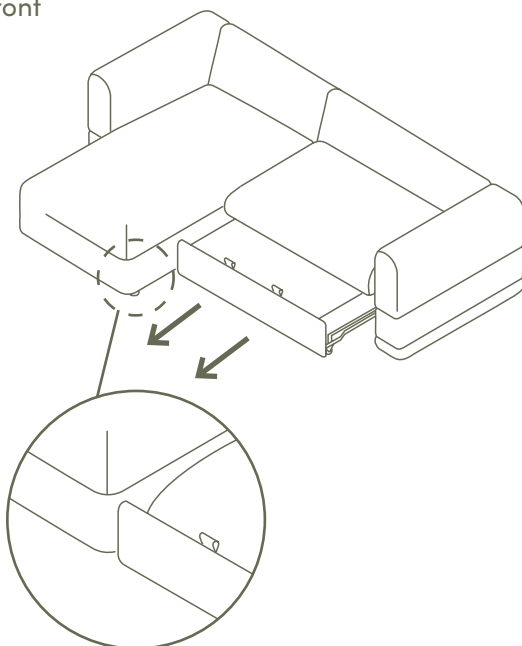


20. Converting your sofa to a sofa bed

1. Remove the backrest cushions

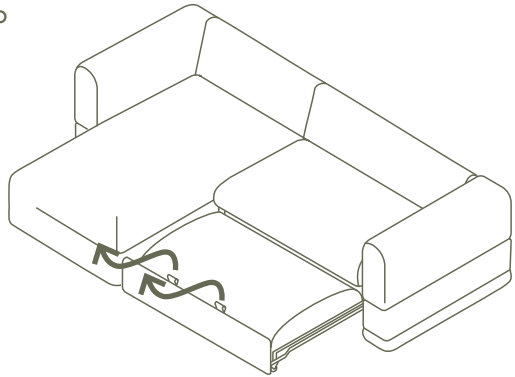


2. Pullout the stored bed with Gusto!!! Until it's flush with the front of the chaise.

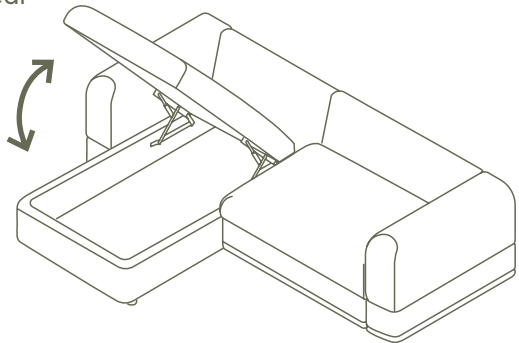


(Step 20, continued)

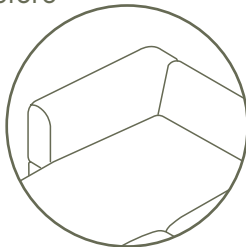
3. Lift the stored bed using the two handles



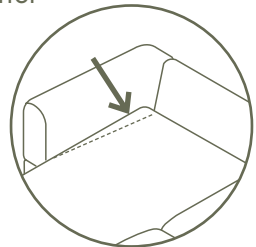
4. Open and close the chaise to its limit to change the angle in the rear of the chaise seat.



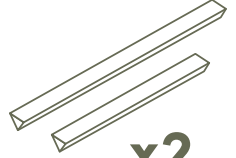
Before



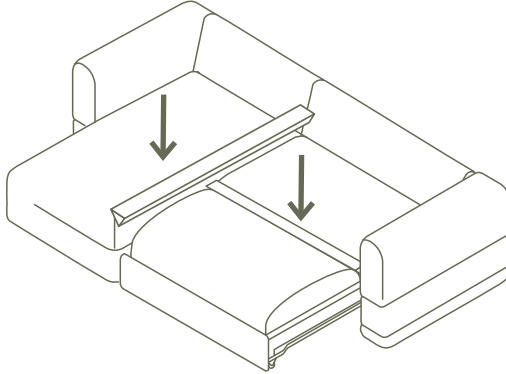
After



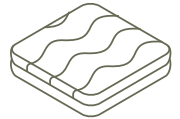
5. Insert the long and short wedge foam pieces to fill the gaps.



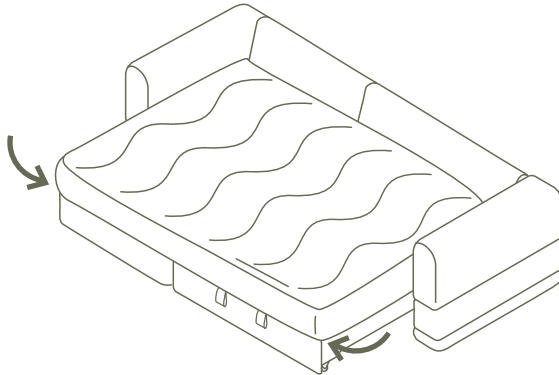
x2
Wedge
Pieces



6. Put the mattress topper over the sleep surface just like a fitted sheet.



x1
Mattress
Topper



Ensure all 4 corners are tucked under the frame.

Product Information & Care

FABRIC

Regular Care (Weekly)

Vacuum regularly using low suction.

Protect from direct sunlight.

Spot Cleaning

Remove any spills immediately by gently blotting any liquid with a clean cloth.

Scoop up any solids before blotting the remaining liquid.

Use a mild detergent to gently remove any loose soilage.

Do not scrub with a stiff brush.

Use a clean cloth to blot out any excess liquid.

Avoid over wetting as this may result in a water mark.

Allow the fabric to air dry in a well ventilated area away from direct sunlight

NOTE: PRETEST THE CLEANING METHOD ON A HIDDEN AREA OF THE SOFA. IF CHANGE IN COLOUR, OR TRANSFER DO NOT CONTINUE.

PILLING

Pilling can occur occasionally as a result of normal daily wear and should not be considered a fault.

Fibre pills can be removed with a battery operated pilling tool, available from most haberdashery stores.

WARNING: CARELESS USE OF CIGARETTES AND MATCHES COULD SET FIRE TO THIS PRODUCT.

FRAME

Regular Care (Weekly)

Wipe down with a clean cloth.

Protect from direct sunlight.

Cleaning

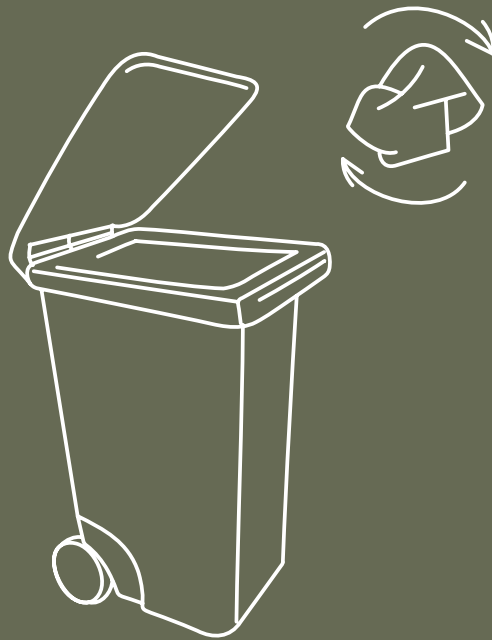
Do not use abrasive cloths or concentrated detergents on metal frame.

SAFETY AND USE

Take care of your fingers when closing the bed frame and chaise storage.

Avoid sitting on the backrest.

Click the button
to watch the
assembly video



don't forget to recycle.

koala