

Torakina
Coffee Table



Ko'ava

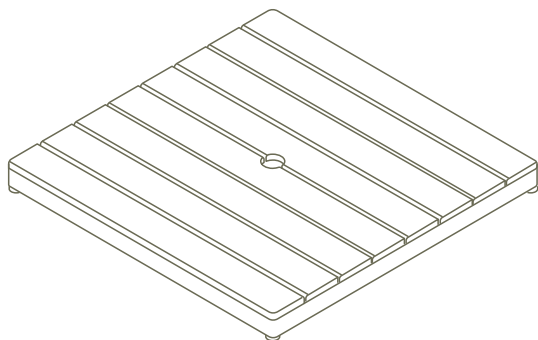
IMPORTANT SAFETY & CARE INSTRUCTIONS

Please read all the instructions carefully, failure to assemble the product incorrectly can lead to wrong assembly and potential injury.

1. Do not sit or stand on tables as this may put undue stress onto the joints of the table and hardware, which could cause damage, breakage and /or personal injury.
2. Furniture should not be dragged at any time as it can damage the flooring. When moving furniture, lift it, do not drag.
3. Avoid swinging backwards on the rear legs of seating it could cause breakage and/or personal injury.
4. To extend the life of the cushion, fabric and timber we recommend to cover the furniture with protective cover and store the cushions indoors.
5. To extend the life of timber and prevent fading use teak protector regularly.
6. Humid and wet weather conditions can be detrimental to outdoor furniture as moisture encourages the growth of mold and mildew, and can produce rust, watermarks and stains that are difficult to get rid of. Store cushions in cool dry places and use outdoor covers to protect the furniture.
7. Inspect your outdoor furniture regularly for signs of wear, damage, or deterioration, and address any issues promptly to prevent further damage.
8. During severe weather conditions, such as storms or strong winds, consider securing or moving outdoor furniture to a sheltered location to minimize potential damage.
9. Do not place hot objects, ashtrays directly onto timber as it can create marks, rings and damage the timber.
10. Do not remove metal rods from lounge covers.
11. Elastic tabs may deteriorate over time with prolonged exposure to sun. These are designed to be removable and replaceable.

What's in the box*

*Not to scale

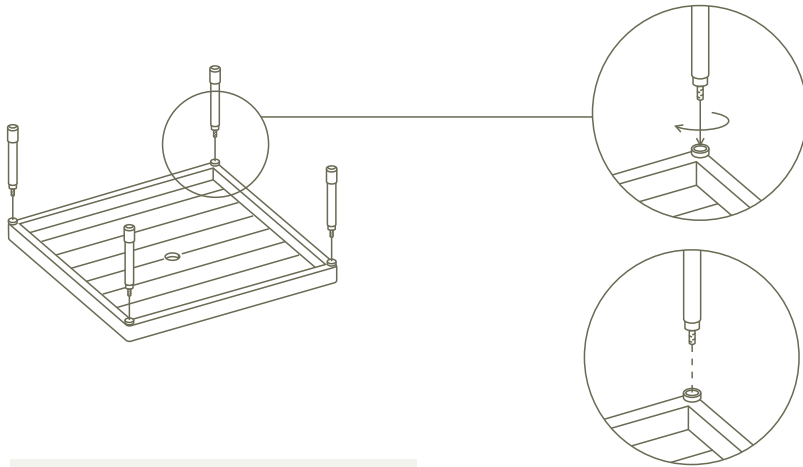


x1
Table Top



x4
Leg

1. Screw legs into position as shown on the image below.

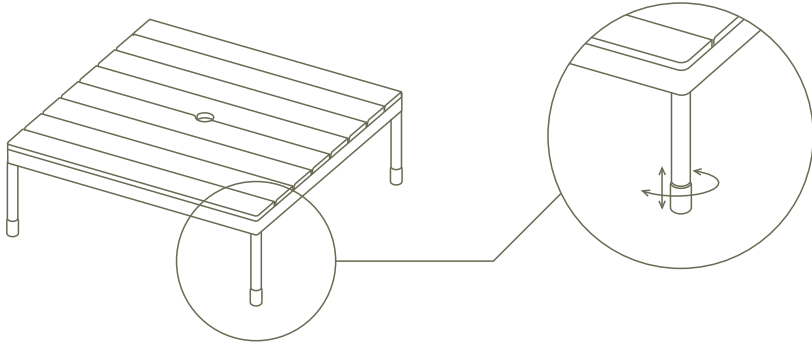


Ensure floor doesn't scratch the surface.

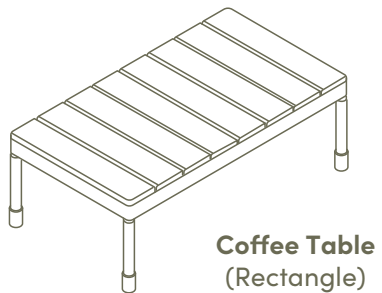
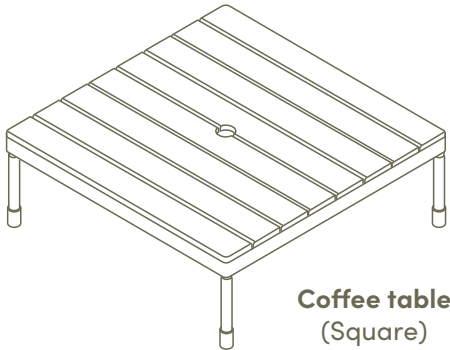
2. Carefully flip into the upright position.



3. Adjust the height of the legs using the glides as shown.



Enjoy!



CARE INSTRUCTIONS

Metal Components

- Regularly clean metal surface with mild soap, warm water and rinse clean and dry with a clean, soft cloth.
- Particular care must be taken when exposed to a salty environment.
- Do not use abrasive products or chemicals that can scratch the surface.

Plastic Components

- Clean plastic surfaces with a mixture of mild soap and water.
- Avoid harsh chemicals or abrasive cleaners that may damage the material.

Timber Care

- Wipe down the furniture regularly with a damp cloth to remove dust, dirt, and debris. This prevents buildup and maintains the wood's appearance.
- Direct sunlight can cause teak wood to fade over time. Consider placing outdoor furniture in shaded areas or using covers to protect it from prolonged exposure to sunlight.
- To prevent fading and maintain the natural color of teak from sun, rain, moisture, and other environmental factors, use teak protector regularly.
- To prevent discoloration and other maintenance-related problems, use teak protector only on teak wood.
- Ensure the table is protected from direct contact with any liquids.
- To prevent scratches, avoid dragging sharp or heavy objects across the surface of the furniture. Use coasters or felt pads under items to protect the wood from damage.

Fabric Care

- Regularly brush off dirt and debris from fabric surfaces. Do not scrub with a stiff brush.
- Remove any spills immediately.
- Spot clean stains promptly with a mild detergent and water solution.
- Do not machine wash.
- Use a clean cloth to blot out any excess liquid.
- Do not bleach. Do not soak.
- Allow cushions to dry in a well ventilated area away from direct sunlight.
- Do not iron.
- Do not tumble dry.
- Do not dry clean.

Always ensure seat cushions, fabrics are completely dry before storing. During prolonged periods of non-use or severe weather, store cushions and fabric components in a cool dry, ventilated area away from sun or use protective covers.

NOTE: Pre test the cleaning method on a hidden area of the cushion and timber. If there is a change in colour, discontinue use.

WARRANTY WARNINGS

Metal Components

- Exposure to harsh weather conditions, chlorinated or salt water can cause corrosion, especially in humid or coastal areas.
- When the furniture is not in use we recommend using an outdoor cover to protect from harsh weather conditions.

Plastic Components

- Prolonged exposure to sunlight can cause plastic to fade or become brittle over time.
- All chair legs have nylon glides to prevent scratching on tiled surfaces.
- Use covers for the furniture.

Fabric Warnings

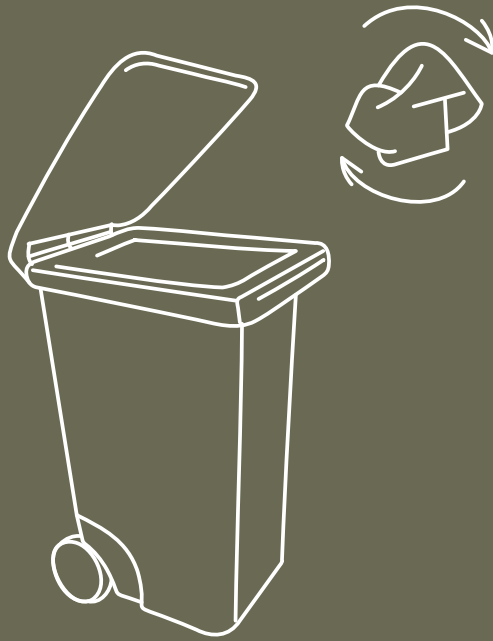
- Continuous exposure to direct sunlight may result in fading or deterioration of fabric.
- Pilling can occur occasionally as a result of normal daily wear and should not be considered a fault. Fiber pills can be removed with a battery operated pilling tool, available from most haberdashery stores.
- We recommend that cushions are stored out of the elements and indoors.

Timber Table Tops

- Our timber products will naturally expand and contract depending on the weather.
- Ensure the table is protected from direct contact with any liquids.
- Humid and wet weather conditions can be detrimental to outdoor furniture as moisture encourages the growth of mold and mildew, and can produce rust, watermarks and stains that are difficult to get rid of.
- Direct sunlight can cause teak wood to fade over time. Consider placing outdoor furniture in shaded areas or using covers to protect it from prolonged exposure to sunlight.

WARRANTY EXCLUSIONS

- Fading due to weather exposure or damage to the frame, fabric or cushion through accident, misuse or negligence.
- Ordinary wear and tear, including chipping, scratching, loss of luster, checking and leaching of timber (see timber maintenance requirements).
- Stains, mildew, stretching or flattening of fabric, cushions or resin wicker.
- Any damage caused by negligence or misuse.
- The warranty does not apply in respect of any damage caused to the product as a result of wrong assembly.



Don't forget to recycle.

kóala