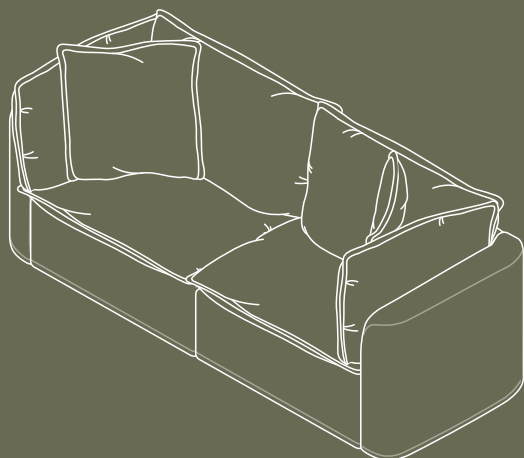


Tamarama Modular Sofa

Assembly Instructions

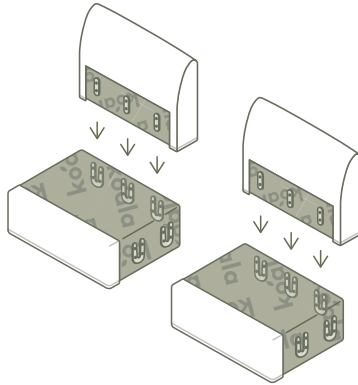
SCAN HERE
For a bit of help



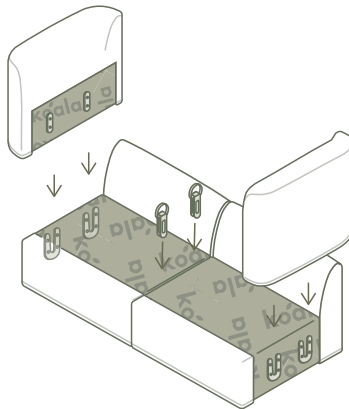
Koala

Phases of Assembly

Phase 1: Assemble Modules



Phase 2: Connect Modules



Phase 3: Place Cushions

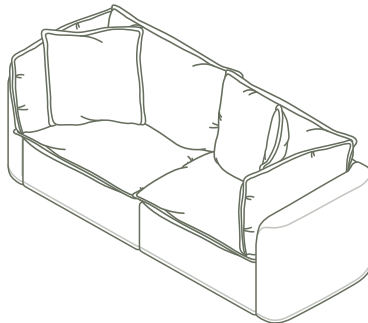


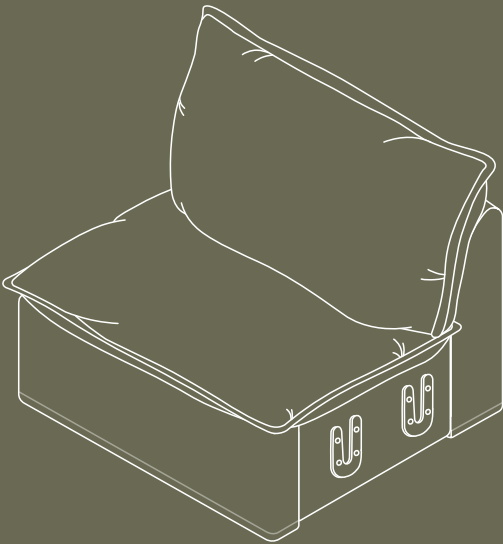
Table of Contents

Phase 1: Assemble Your Modules	4
Seat Module	5
Chaise Module	9
Corner Module	13
Phase 2: Connect Your Modules	17
Using the connectors	18
Assembly Armrests	19
Phase 3: Placing Your Cushions	22
Seat Cushions	23
Corner Cushions	23
Chaise Cushions	24
Armrest Cushions	25
Cover Care Instructions	26
Product Information and Care	27

Phase 1: Assemble Your Modules

Tamarama Modular Sofa

Seat Module

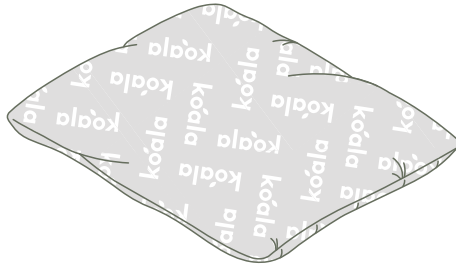


What's in the box*

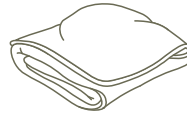
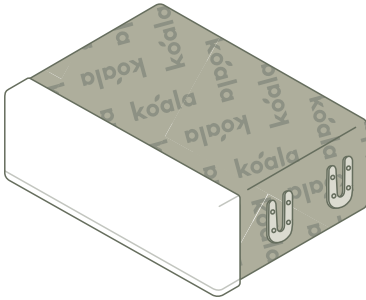
*Not to scale

BOX 1

x1
Seat
Module



x1
Seat Cushion Insert



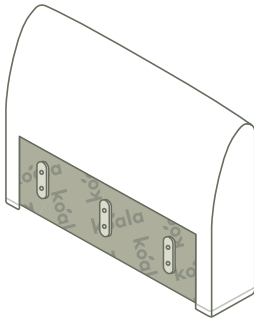
x1
Seat Cushion
Insert Cover



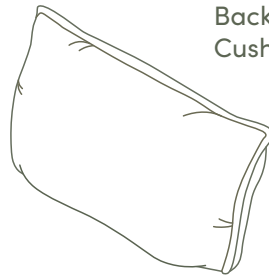
x2
Connector

BOX 2

x1
Backrest
Module

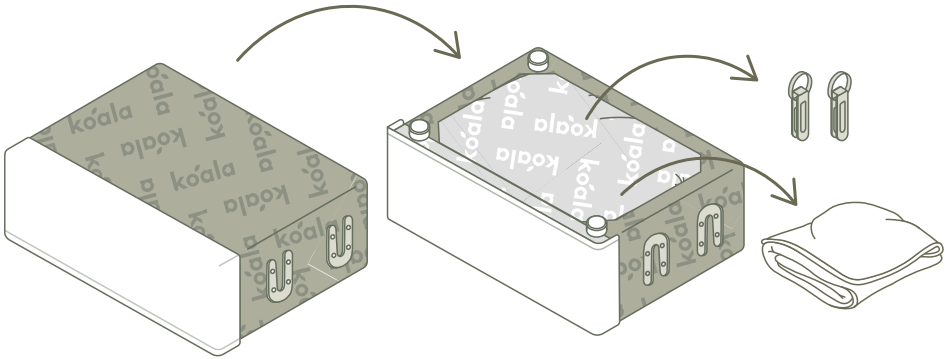


x1
Backrest
Cushion

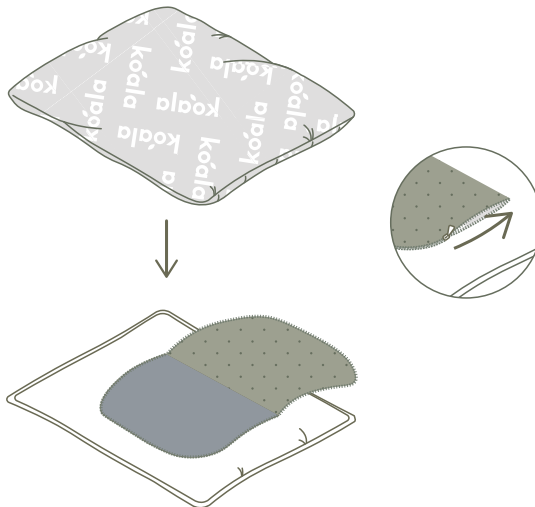


Your cover may moved during assembly, align the edges of your slip cover to finish assembly.

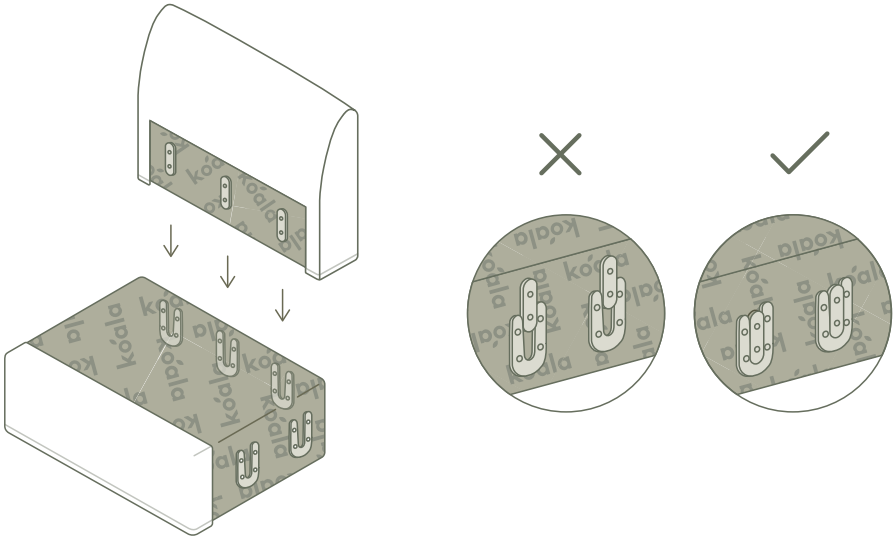
- 1.** Flip the seat module upside down and remove the contents that are packed inside.



- 2.** Place the cushion insert into the seat cushion cover, ensuring the quilted side faces down as you slide it in. Zip the cover closed.



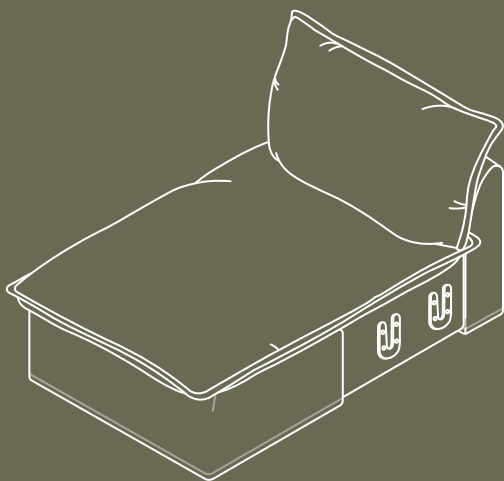
- 3.** Flip the seat frame over. Align the backrest wedge brackets with the 'U' brackets on the seat module and slide all the way down.



Repeat phase 1 instructions for the other modules in your sofa configuration. Once all modules are assembled proceed to Phase 2 (pg 17).

Tamarama Modular Sofa

Chaise Seat Module



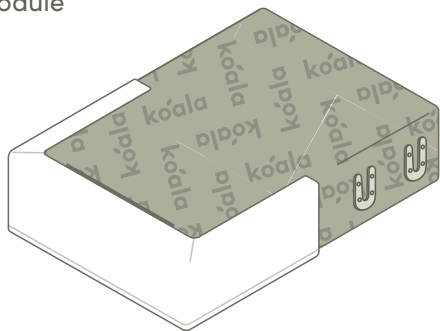
What's in the box*

*Not to scale

BOX 1

x1

Chaise
Module



x1

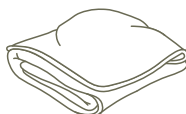
Chaise Cushion
Insert

x1

Chaise Cushion
Insert Cover

x2

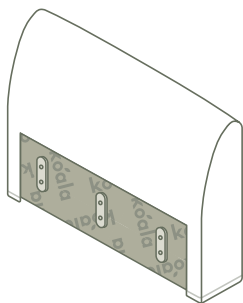
Connector



BOX 2

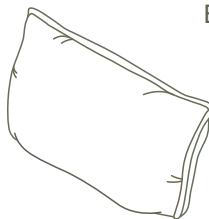
x1

Extra Wide
Backrest Module



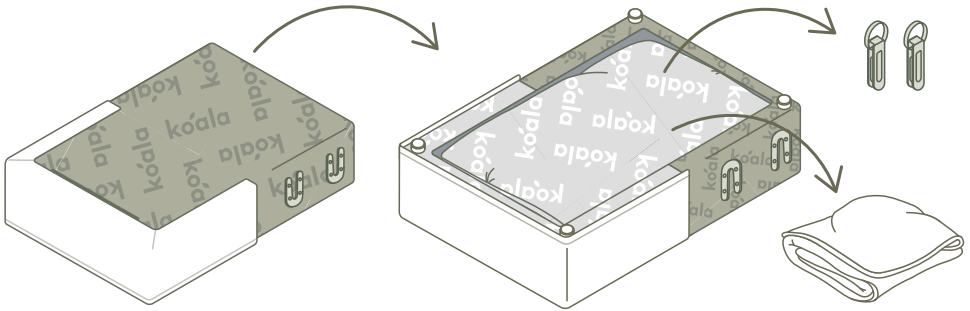
x1

Extra Wide
Backrest Cushion

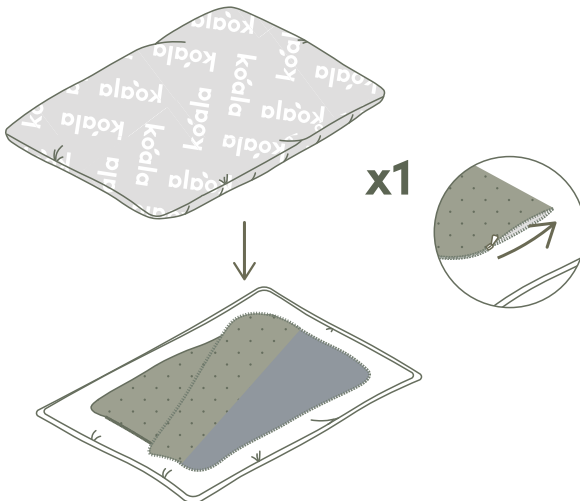


Chaise module is universal. It can be a left or right chaise.

- 1.** Flip the seat module upside down and remove the contents that are packed inside.

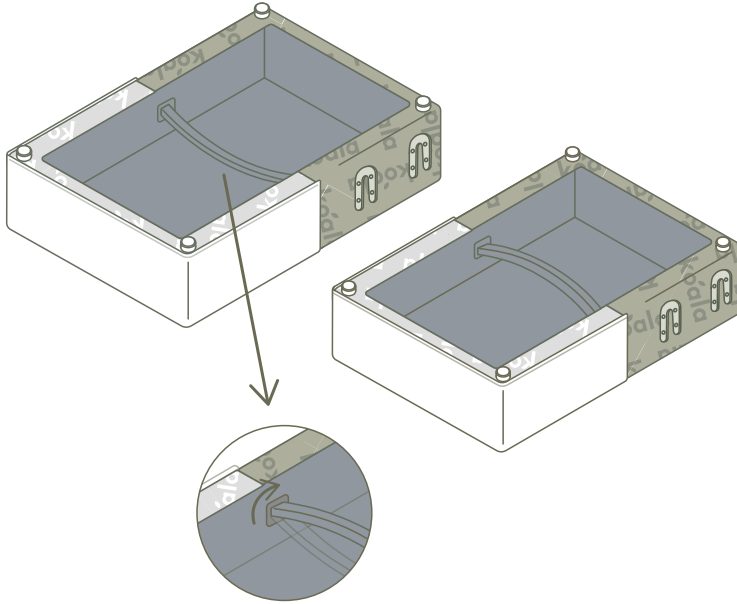


- 2.** Place the cushion insert into the seat cushion cover, ensuring the quilted side faces down as you slide it in. Zip the cover closed.



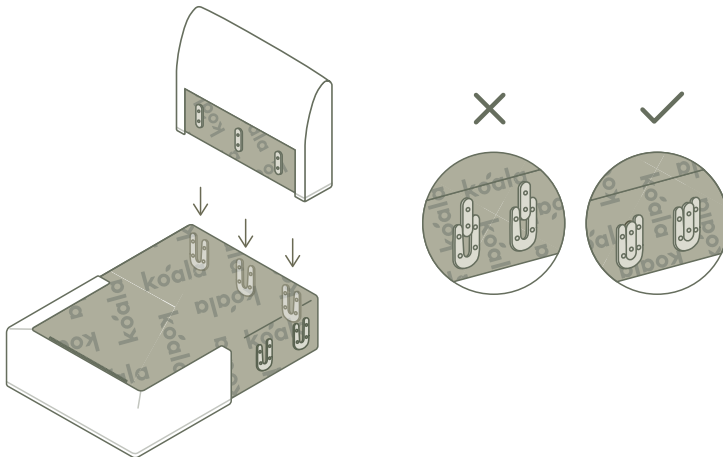
3.

Rotate the central bar into the upright position.



4.

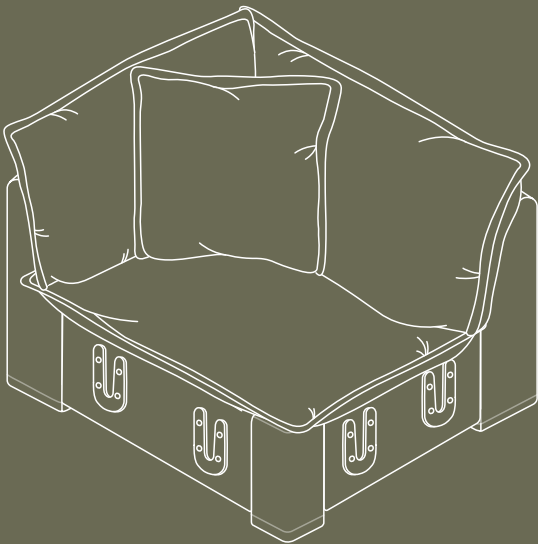
Flip the seat frame over. Align the backrest wedge brackets with the 'U' brackets on the chaise module and slide all the way down.



Repeat phase 1 instructions for the other modules in your sofa configuration. Once all modules are assembled proceed to Phase 2 (pg 17).

Tamarama Modular Sofa

Corner Module



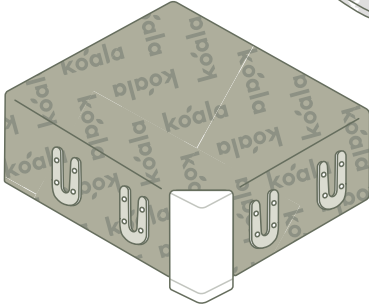
What's in the box*

*Not to scale

BOX 1

x1

Corner Seat
Module

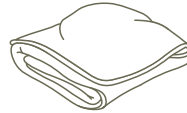


x1

Corner Seat
Cushion Insert

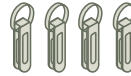
x1

Corner Seat
Cushion Insert
Cover



x4

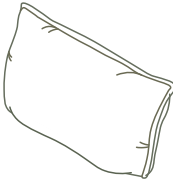
Connector



BOX 2

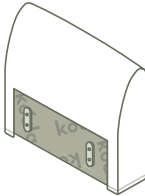
x1

Regular
Backrest
Cushion



x1

Regular
Backrest
Module



BOX 3

x1

Corner
Backrest
Cushion



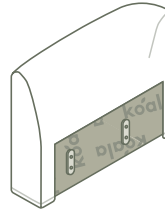
x1

Pillow



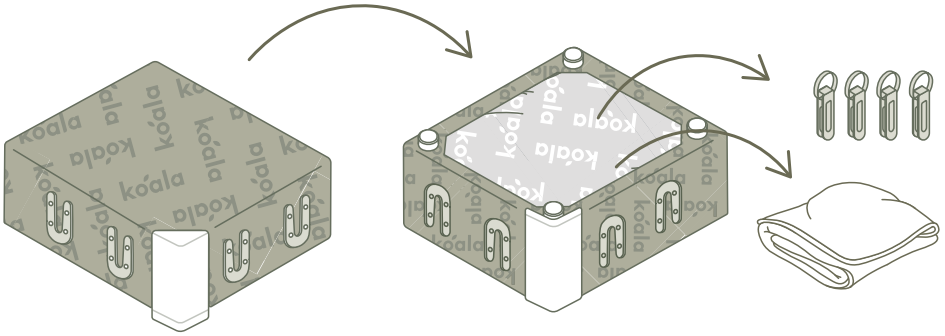
x1

Corner
Backrest
Module

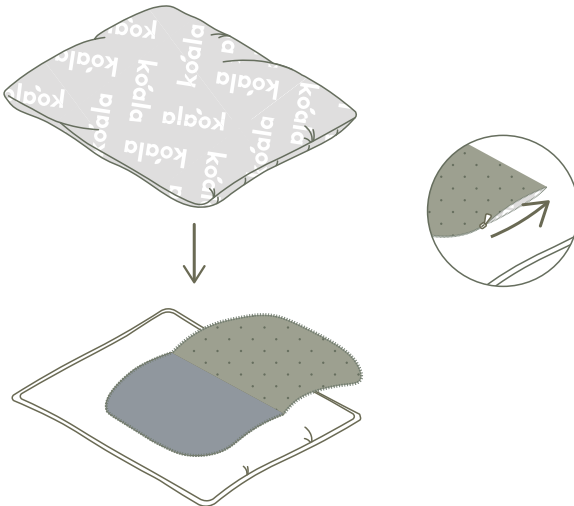


Corner module is universal. It can be a left or right corner.

- 1.** Flip the seat module upside down and remove the contents that are packed inside.

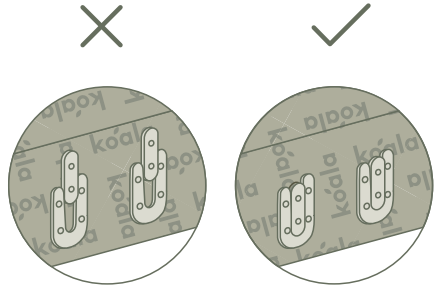
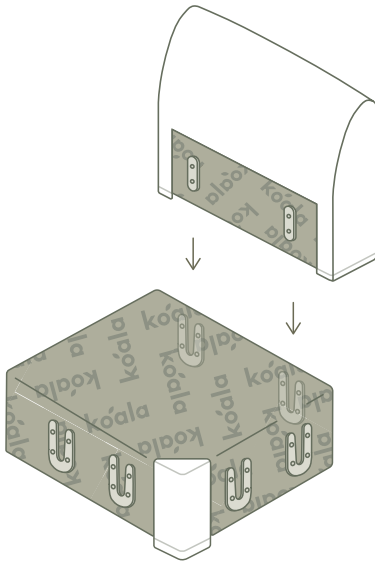


- 2.** Place the cushion insert into the seat cushion cover, ensuring the quilted side faces down as you slide it in. Zip the cover closed.



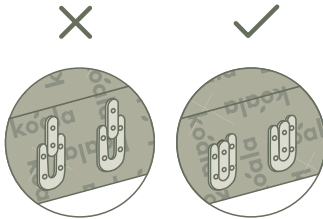
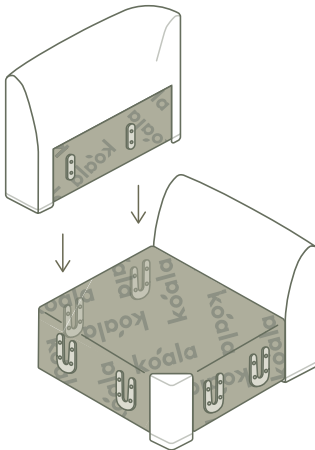
3.

Flip the seat frame over. Align the backrest wedge brackets with the 'U' brackets on the corner module and slide all the way down.



4.

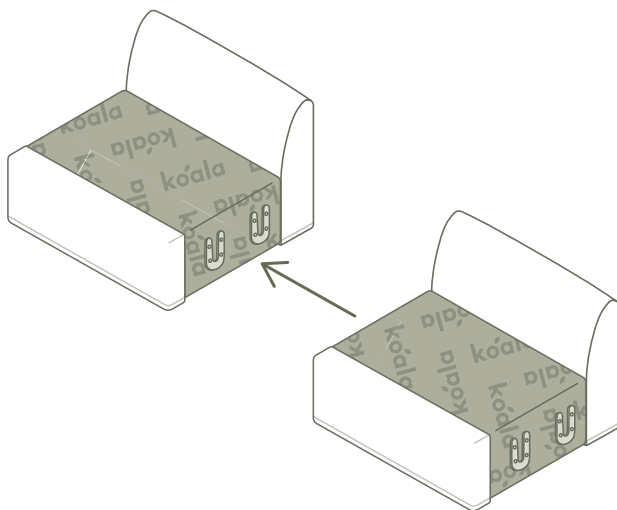
Repeat step 3 with the Corner Backrest module.



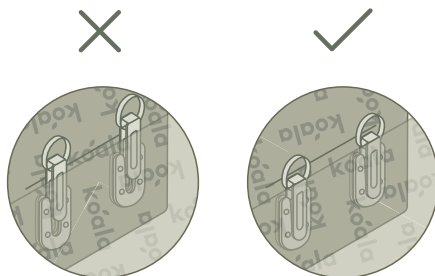
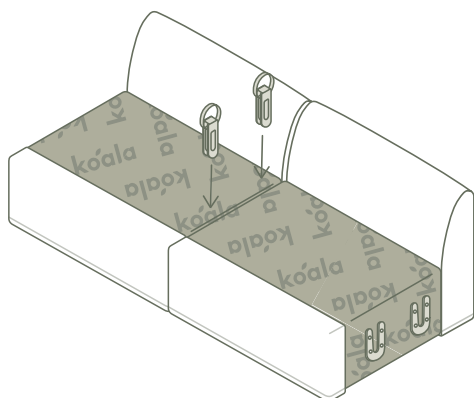
Repeat phase 1 instructions for the other modules in your sofa configuration. Once all modules are assembled proceed to Phase 2 (pg 17).

Phase 2: Connect Your Modules

- 1.** Align the front edges of the seat modules, ensuring they touch so the connector can easily slide into the wedge bracket between them.



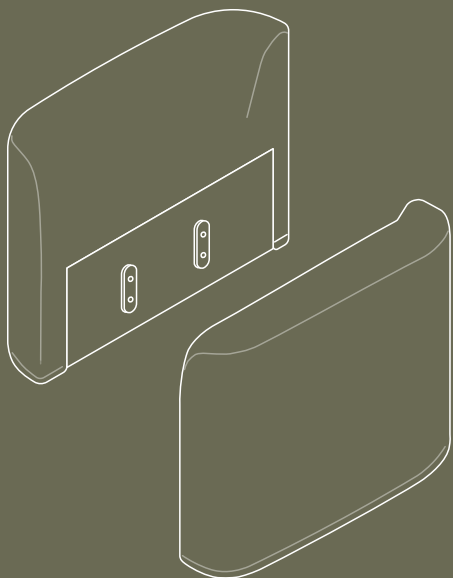
- 2.** Slide the connector between the modules into the 'U' brackets. Press down firmly into place.



Repeat phase 2 instructions for the other modules in your sofa configuration. Then proceed to connecting the Armrests (pg 19). You will have left over connectors.

Tamarama Modular Sofa

Armrest Module



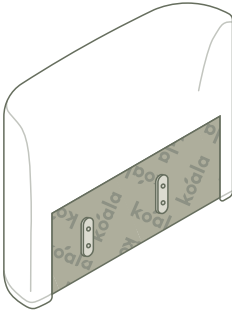
What's in the box*

*Not to scale

BOX 1

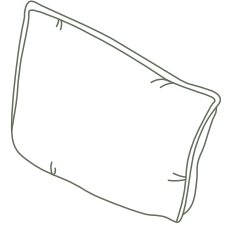
x1

Left Armrest



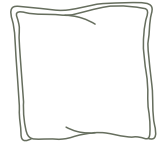
x1

Armrest
Cushion



x1

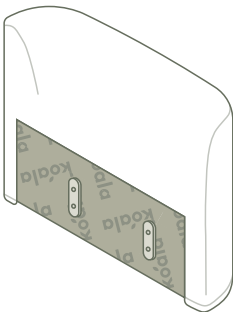
Pillow



BOX 2

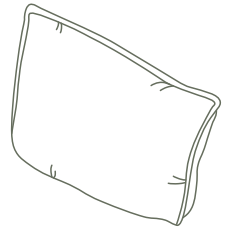
x1

Right Armrest



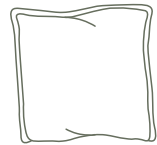
x1

Armrest
Cushion

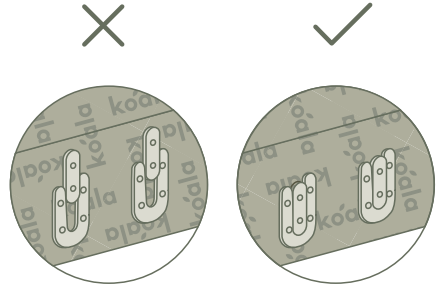
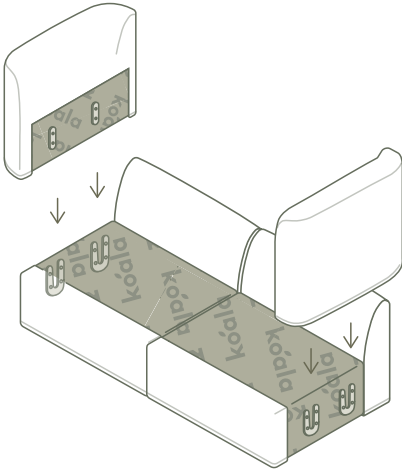


x1

Pillow



1. Align the wedge brackets on the armrest to the sides of the seat modules and slide all the way down.

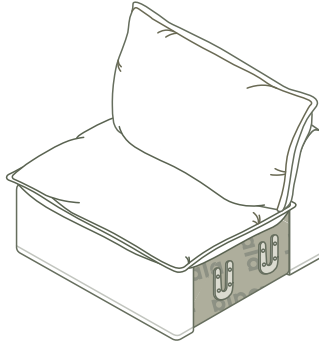


Once armrests are connected to your sofa, proceed to Phase 3 (Pg 22).

Phase 3: Place Your Cushions

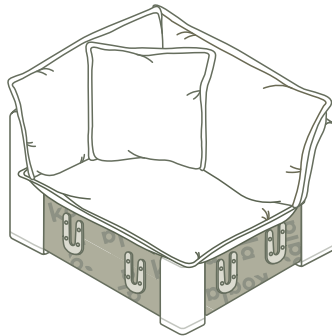
Seat Cushions

Place the seat cushion on first, followed by the backrest cushion.



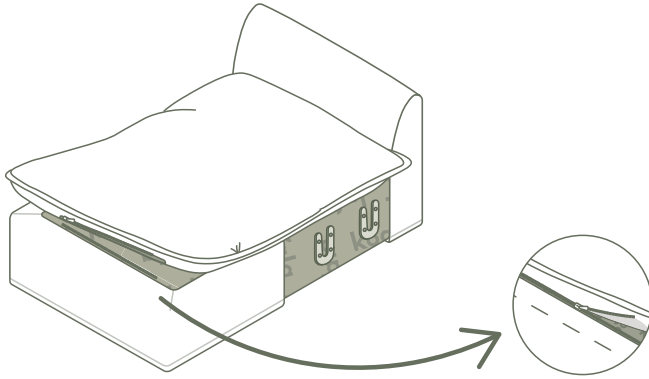
Corner Cushions

Place the seat cushion on first, followed by the backrest cushions and the pillow.

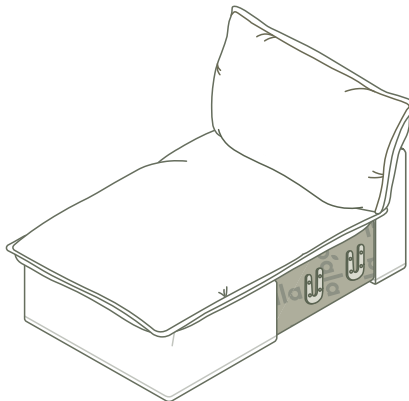


Chaise Cushions

1. Place the seat cushion on the seat module. Connect the zipper under the chaise cushion to the zipper on the chaise module base. Zip it closed to secure.

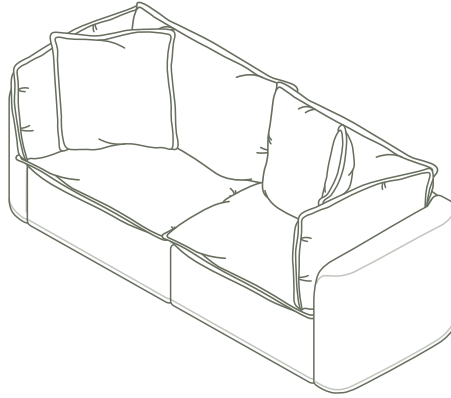


-
2. Place the backrest cushion to complete your chaise.



Armrest Cushions

Place the armrest cushion on first, followed by the pillows.

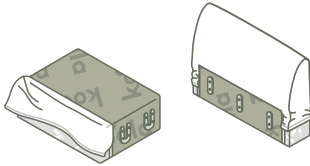


Cover Care Instructions

Your Koala Sofabed cover is removable and washable!
How good! Save this guide for when you wash your covers!

WASH INSTRUCTIONS

1



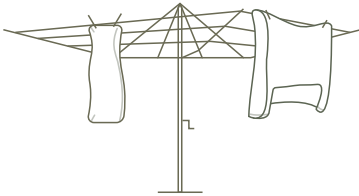
Remove the covers

2



To prevent shrinkage,
cold machine wash

3



Line dry in shade

4



Scan QR code to find
recovering instructions

For even more detail, each cover has their own handy care labels.

Product Information and Care

LINING FABRIC

Regular Care (Weekly)

- Vacuum regularly using low suction.
- Protect from direct sunlight.

Spot Cleaning

- Remove any spills immediately by gently blotting any liquid with a clean cloth.
- Scoop up any solids before blotting the remaining liquid.
- Use a mild detergent to gently remove any loose soilage.
- Do not scrub with a sti brush.
- Use a clean cloth to blot out any excess liquid.
- Avoid over wetting as this may result in a water mark.
- Allow the fabric to air dry in a well ventilated area away from direct sunlight.

PRETEST THE CLEANING METHOD ON A HIDDEN AREA OF THE SOFA. IF CHANGE IN COLOUR, OR TRANSFER DO NOT CONTINUE.

PILLING

Pilling can occur occasionally as a result of normal daily wear and should not be considered a fault. Fibre pills can be removed with a battery operated pilling tool, available from most haberdashery stores.

REMOVABLE COVERS

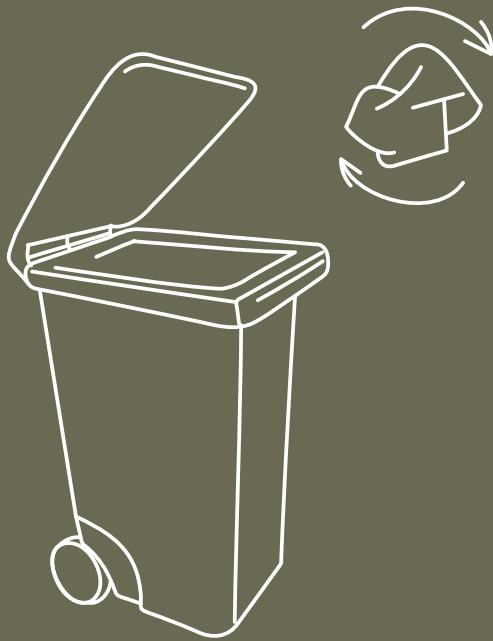
For correct care of the removable covers refer to the care label inside covers for additional cleaning instructions.

WARNING: CARELESS USE OF CIGARETTES AND MATCHES COULD SET FIRE TO THIS PRODUCT.

- Keep furniture a safe distance away from open flames and strong sources of heat (e.g., heaters, fireplaces, radiators, wall or floor vents). If left too close this may create a fire hazard or damage furniture, including internal frames and other components.
- Do not modify or change any components within this product without specific advice from Koala. This will void your warranty and may cause instability, damage or collapsing of the frame, resulting in injury.
- Do not allow children to crawl inside the internal cavity of the sofa (under cushions or inside the base). This may cause an entrapment or suffocation hazard.

CAUTION

- Do not stand or jump on seat cushions, backrests, or arms. This may cause instability, damage or collapsing of the frame, resulting in injury. This unit is designed for seating or sleeping use only.
- Do not drag this furniture. Always lift the furniture from the base when moving. Dragging can break the legs or damage the frame integrity. Use two or more people to move this item to avoid injury.
- Periodically check (every 6 months) that all legs and Gumnuts are tight and secure. Do not use the product if parts are missing, damaged, or worn. Contact Koala for assistance or replacement parts.



Don't forget to recycle.

kóala