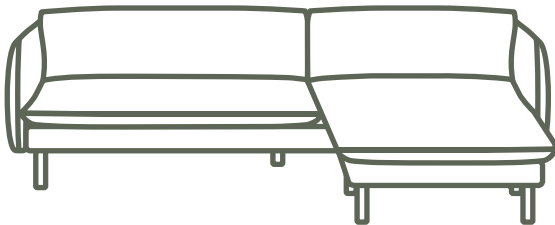


Click the button
to watch the
assembly video



SUFFOLK SOFA
3.5 SEATER + CHAISE

Ko'da

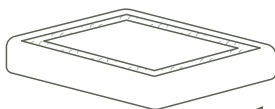
What's in the box*:

*Not to scale



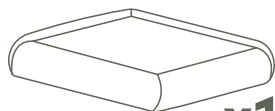
x1

Front Rail



x1

Chaise



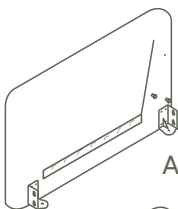
x1

Chaise Cover



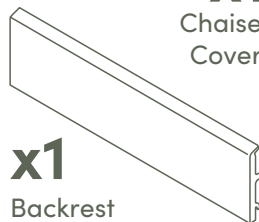
x1

Back Rail



x1

Left Armrest



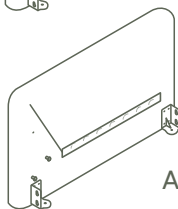
x1

Backrest



x1

Centre Beam
104-9376



x1

Right Armrest



x1

Back Panel



x1

Front Rail Cover



x2

Backrest
Cushion Covers



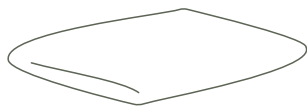
x2

Backrest
Cushions



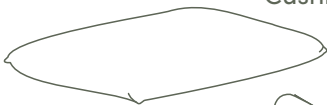
x2

Rounded
Seat Panel



x1

Chaise Cushion
Cover



x1

Chaise
Cushion



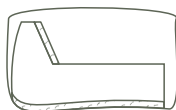
x2

Non-Rounded
Seat Panel



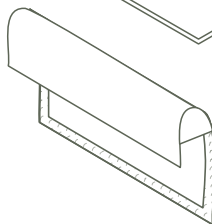
x1

Seat Cushion
Cover



x1

Left
Armrest
Cover



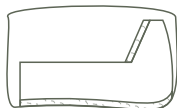
x1

Backrest
Cover



x1

Seat
Cushion



x1

Right
Armrest
Cover



x4

Tri-Head
Gumnut
104-9379



x9

Leg
104-9377



x2

Round-Head Gumnut
104-9378

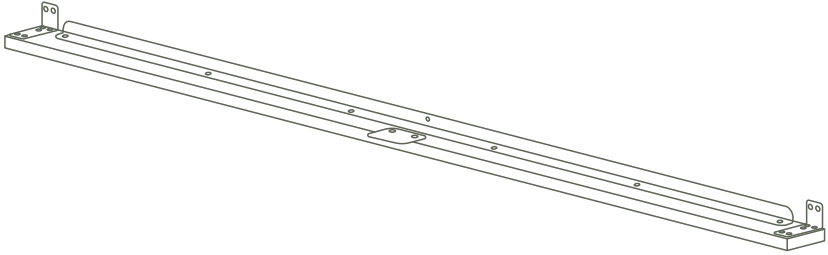


x2

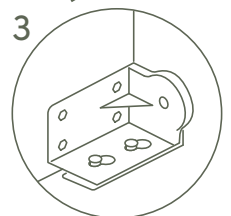
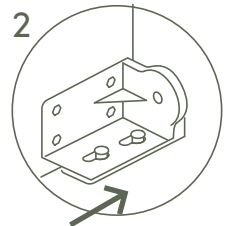
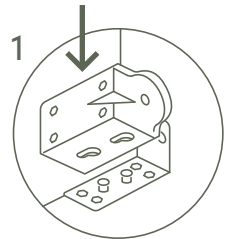
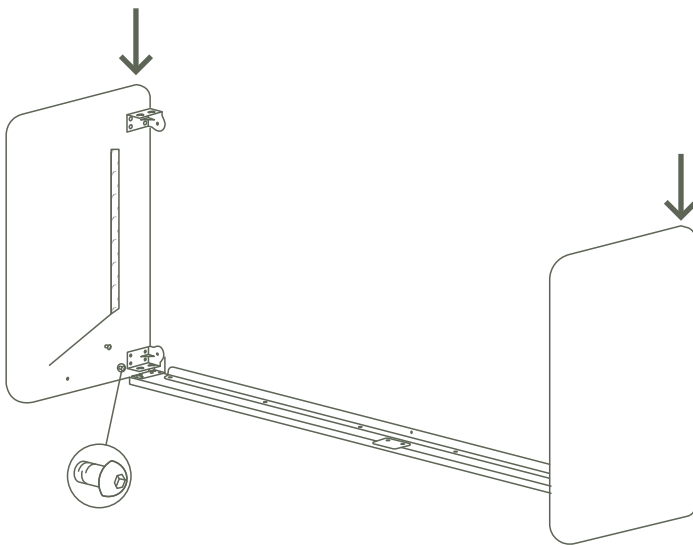
Hook

1. Lay the back rail down with the corner connections facing up.

Click the button to watch the assembly video



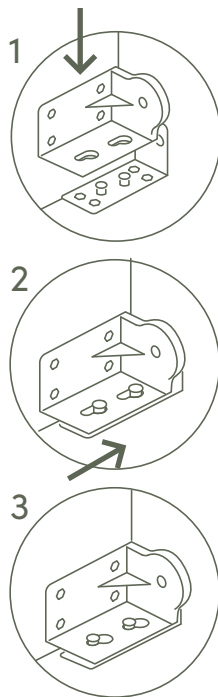
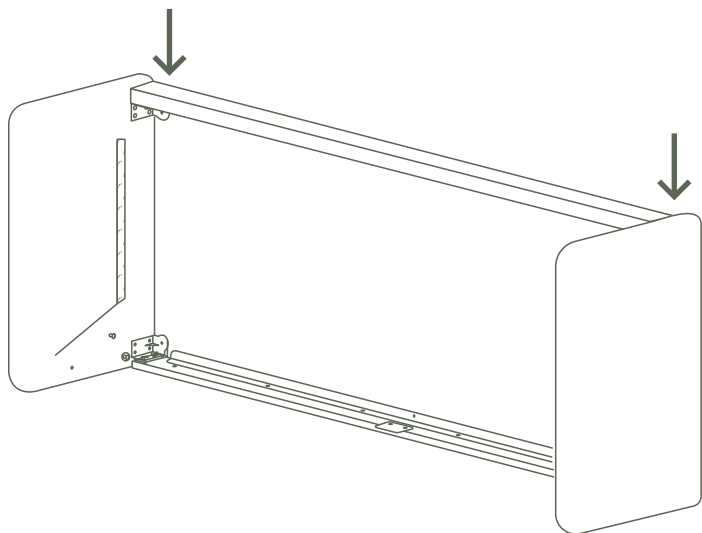
2. Connect the back rail to the armrests using the corner connections.



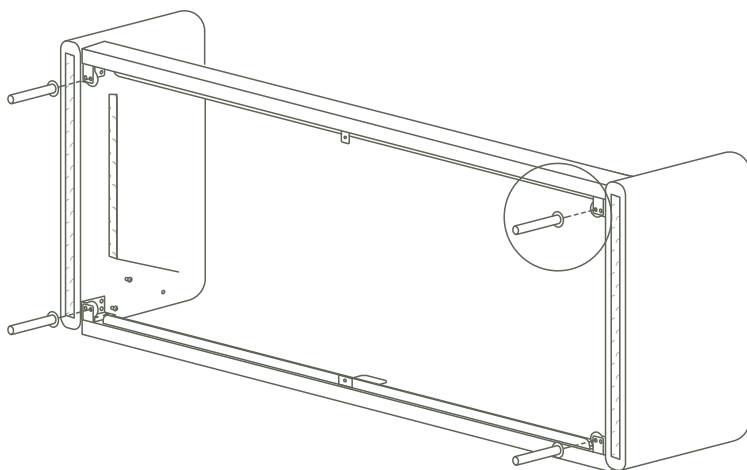
Position of pins on armrests should be against the back panel

3. Connect the front rail to the armrests using the corner connections.

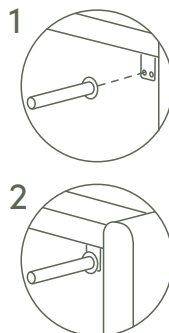
Click the button to watch the assembly video



4. Firmly screw in legs into corner connection.

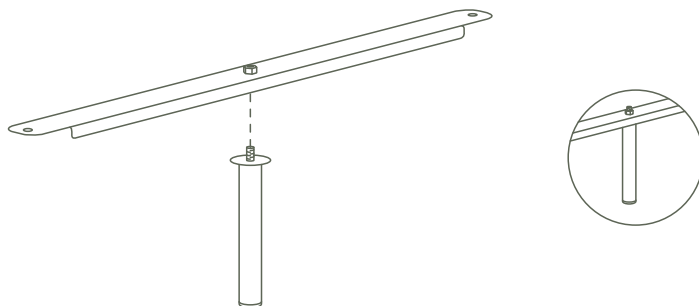


x4



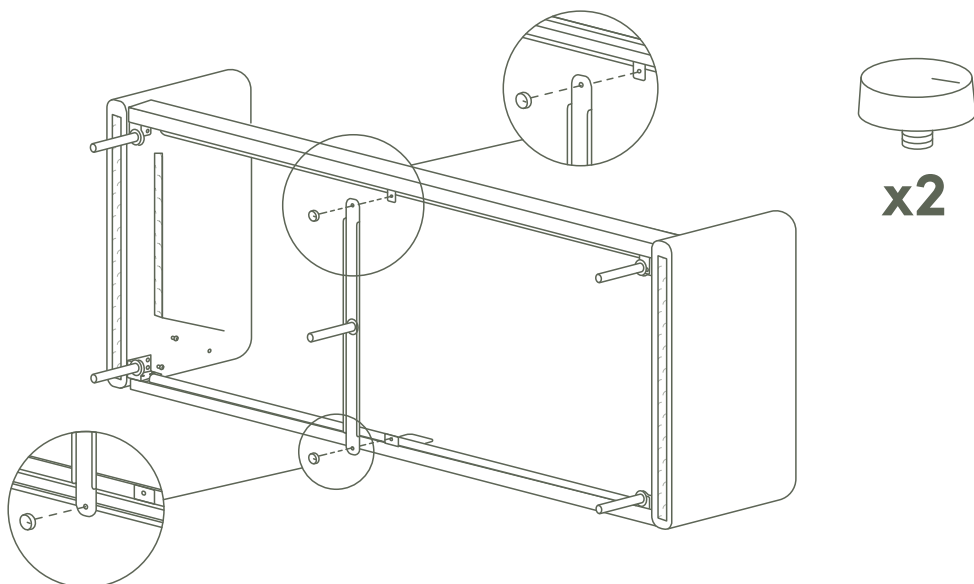
5. Firmly screw leg into the centre beam.

Click the button
to watch the
assembly video



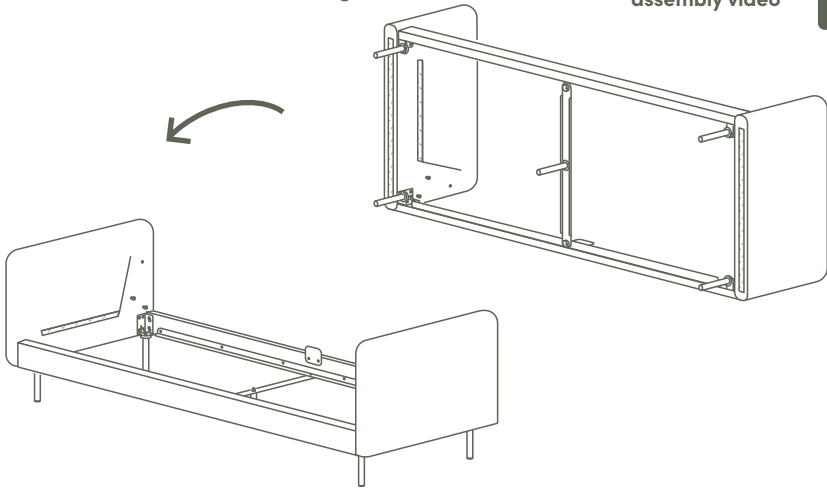
Ensure centre beam is in correct
orientation before screwing leg in

6. Secure the centre beam with two round-head gumnuts.

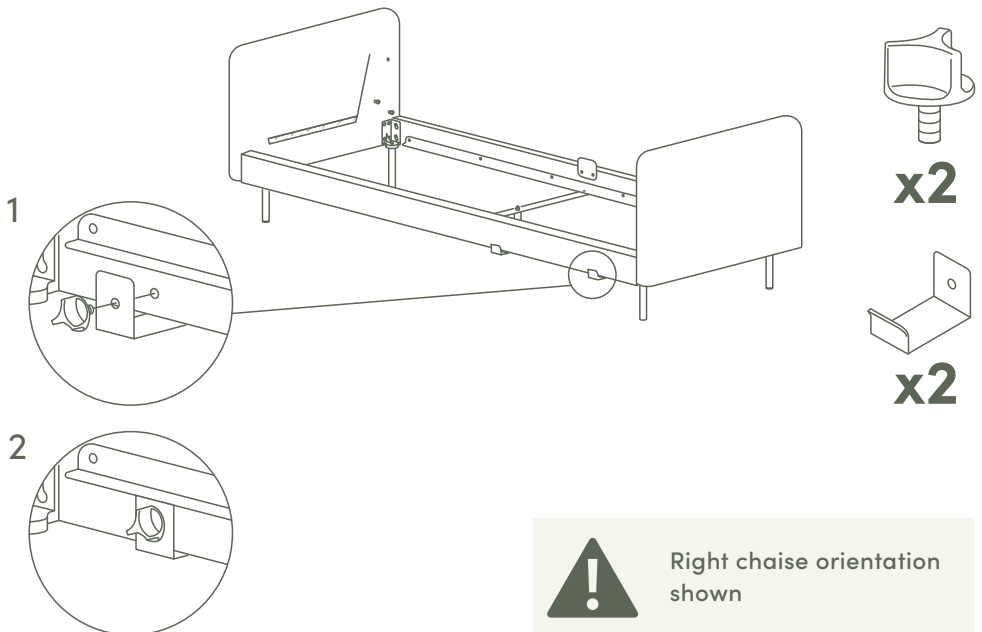


7. Hold the front panel and carefully lower the sofa onto its legs.

Click the button to watch the assembly video



8. Attach two hooks on the inside using tri-head gunnuts.
For a left chaise configuration, mount on the left of the centre beam.
For a right chaise configuration, mount on the right of the centre beam.

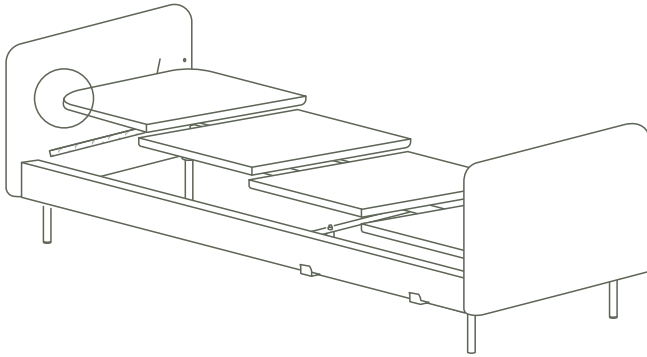


Right chaise orientation shown

9.

Place the seat panels onto the frame.

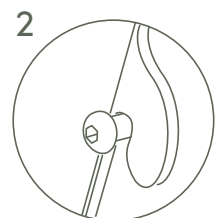
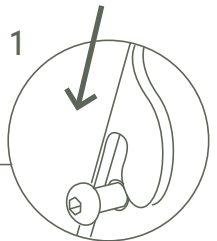
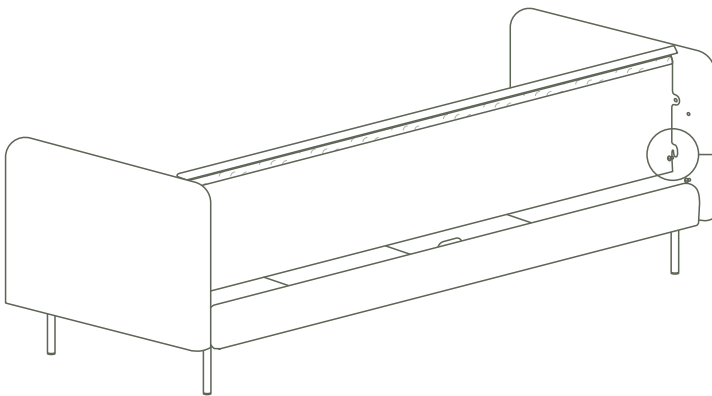
Click the button to watch the assembly video



Ensure the rounded seat panels are in the outer positions

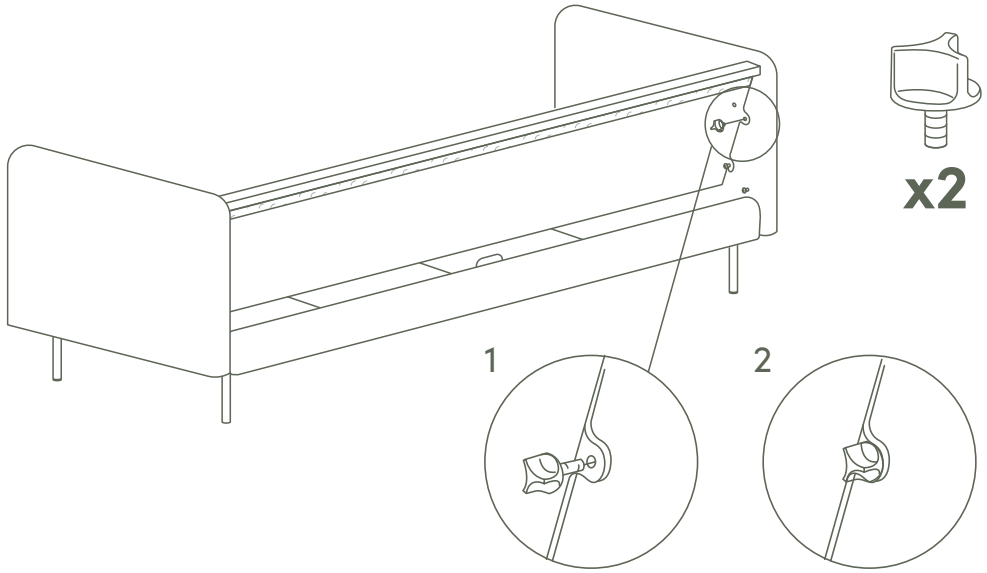
10.

Guide the backrest hooks into the upper armrest pins.

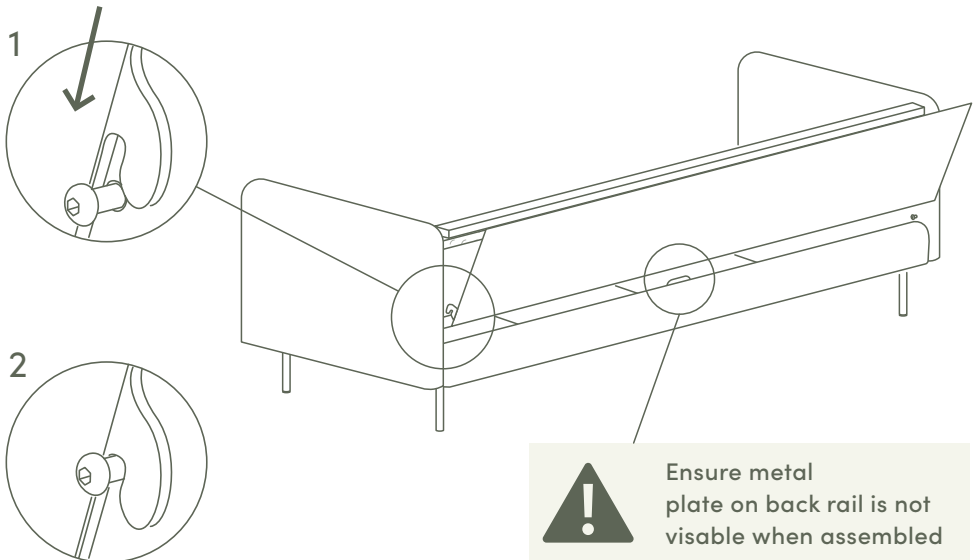


11. Align the holes and screw in the tri-head gumnuts.

Click the button to watch the assembly video

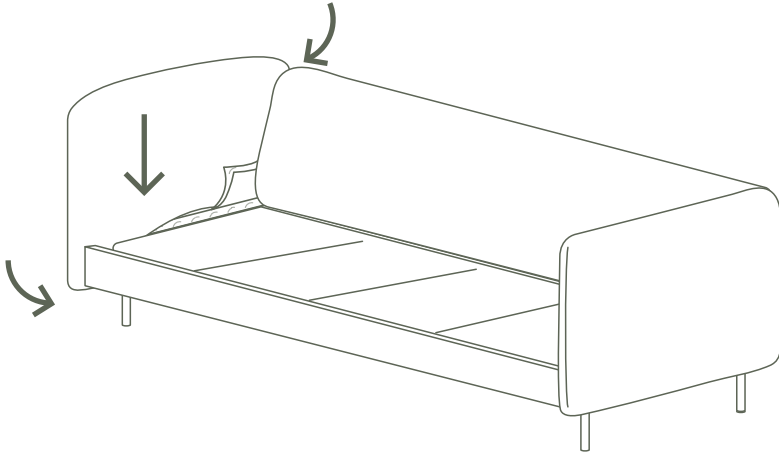


12. Guide the backrest panel hooks into the lower armrest pins then rotate and press against the backrest to secure.

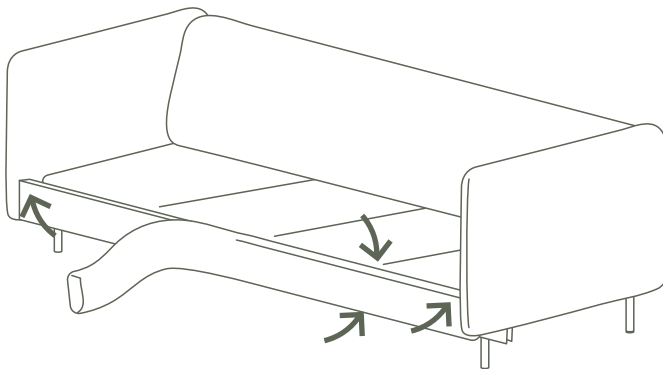


- 13.** Place armrest cover over armrest and secure with velcro at the back, bottom and inside. Repeat for second armrest.

Click the button
to watch the
assembly video

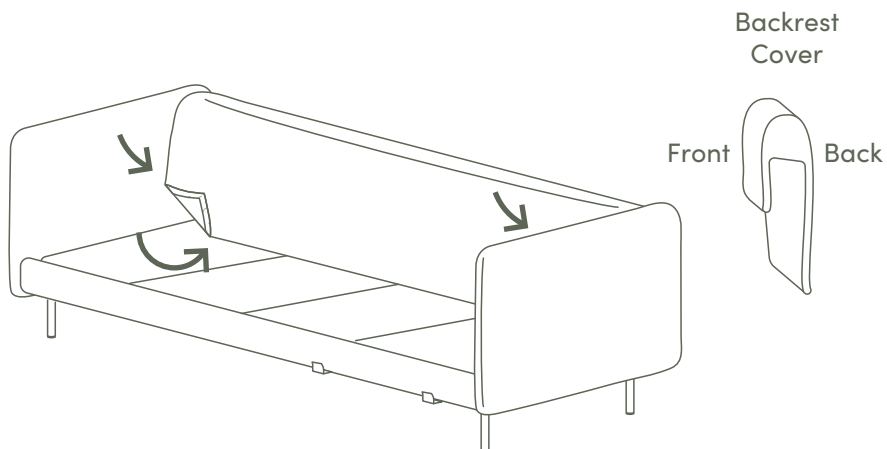


- 14.** Place front rail cover over one side of the front rail and secure with velcro along the length of the top and bottom, then tuck the cover on the other side.

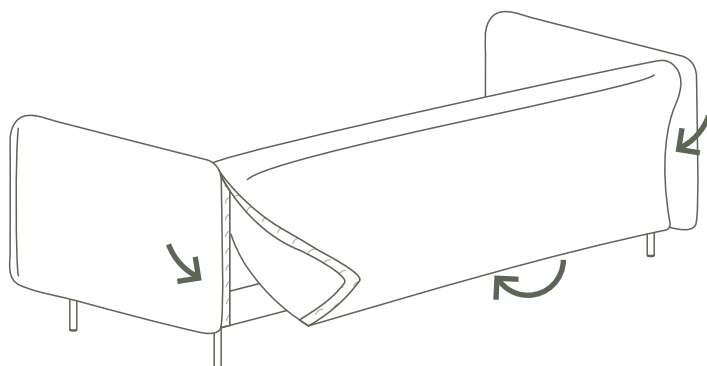


- 15.** Attach front side velcro of the backrest cover to the velcro on the armrest cover, then attach the front bottom velcro of the backrest cover to the base of the backrest.

Click the button
to watch the
assembly video

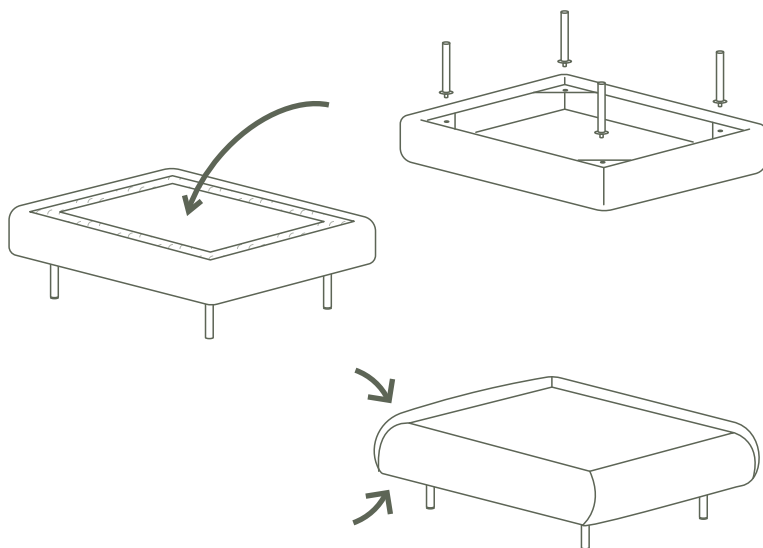


- 16.** Attach back side velcro of the backrest cover to the velcro on the back panel and back rail, then attach the back bottom velcro of the backrest cover to the base of the back rail.

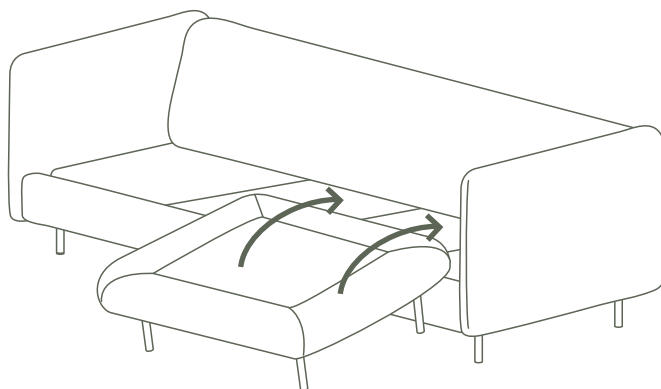


- 17.** Firmly screw in legs into chaise then place chaise cover onto frame and secure velcro on the top and bottom.

Click the button
to watch the
assembly video

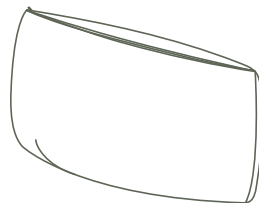
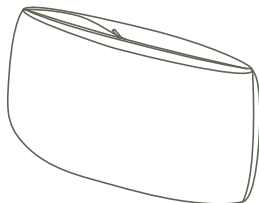
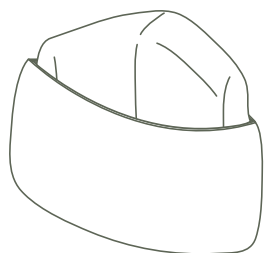


-
- 18.** Move sofa into its final location then hook the ottoman on.



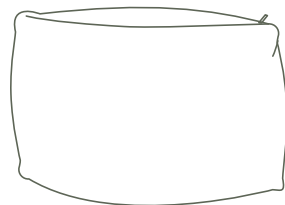
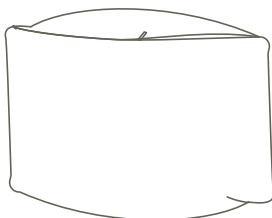
19. Place the seat cushions in the seat cushion covers, then zip the cover closed.

Click the button
to watch the
assembly video



Ensure zips are aligned to correctly orientate the seat cushion covers and the seat cushions

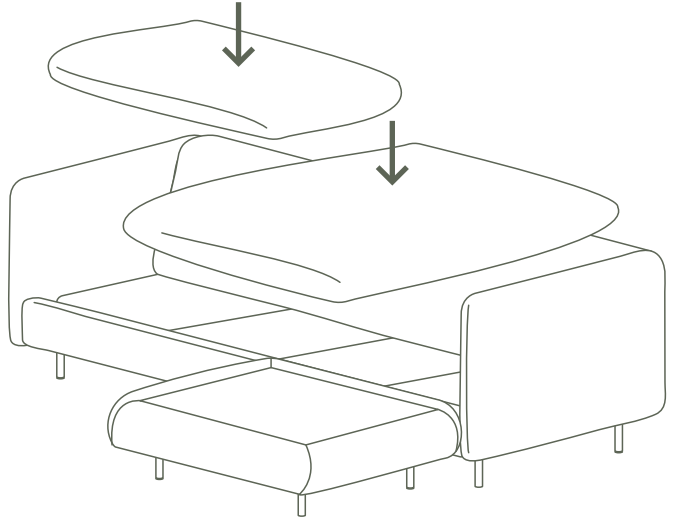
20. Place the backrest cushions in the backrest cushion covers, then zip the cover closed.



Ensure zips are aligned to correctly orientate the seat cushion covers and the seat cushions

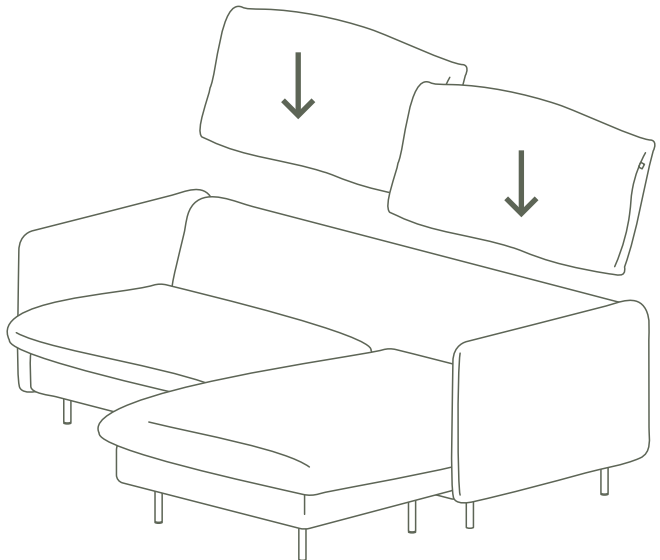
21. Place the seat cushions onto the sofa.

Click the button to watch the assembly video



Ensure seat cushion are the correct orientation by checking the labels.

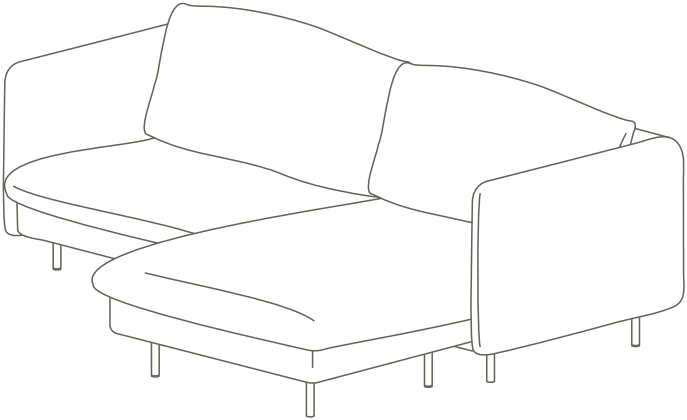
22. Place the backrest cushions onto the sofa.



Ensure the backrest cushions are in the correct orientation by checking the labels.

23. Enjoy!

Click the button
to watch the
assembly video



Product Information and Care

FABRIC

Lining Fabric

- Vacuum regularly using low suction.
- Protect from direct sunlight.

Removable Covers

- For correct care of the removable covers refer to the care label inside covers for additional cleaning instructions.

Spot Cleaning

- Remove any spills immediately by gently blotting any liquid with a clean cloth.
- Scoop up any solids before blotting the remaining liquid.
- Use a mild detergent to gently remove any loose soilage.
- Do not scrub with a stiff brush.
- Use a clean cloth to blot out any excess liquid.
- Avoid over wetting as this may result in a water mark.
- Allow the fabric to air dry in a well ventilated area away from direct sunlight.

NOTE: PRETEST THE CLEANING METHOD ON A HIDDEN AREA OF THE SOFA. IF CHANGE IN COLOUR, OR TRANSFER DO NOT CONTINUE.

PILLING

Pilling can occur occasionally as a result of normal daily wear and should not be considered a fault. Fibre pills can be removed with a battery operated pilling tool, available from most haberdashery stores.

WARNING: CARELESS USE OF CIGARETTES AND MATCHES COULD SET FIRE TO THIS PRODUCT.

FRAME

Regular Care

- Wipe down with a clean cloth.
- Protect from direct sunlight.

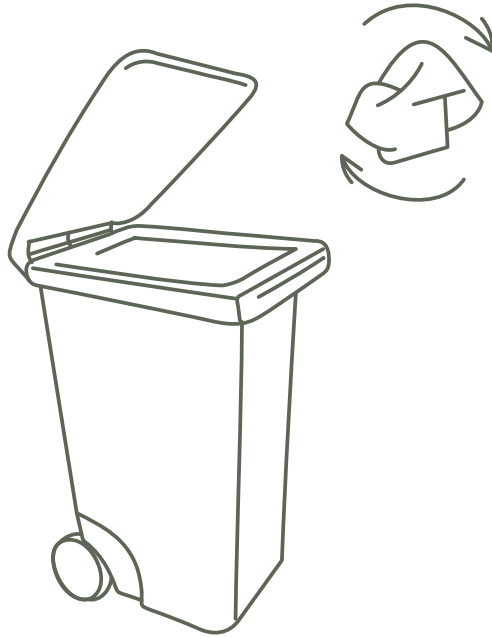
Cleaning

- Do not use abrasive cloths or concentrated detergents on metal frame.

SAFETY AND USE

- Avoid sitting on the arms or backrest.

Click the button
to watch the
assembly video



don't forget to recycle.

koala