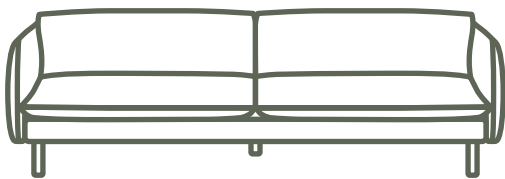


Click the button  
to watch the  
assembly video



**SUFFOLK SOFA**  
**3.5 SEATER**

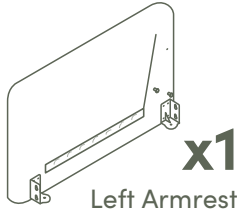
**Ko'da**

# What's in the box\*:

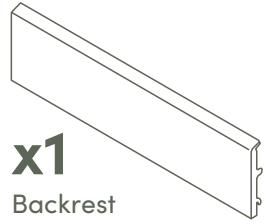
\*Not to scale



**x1**  
Front Rail



**x1**  
Left Armrest



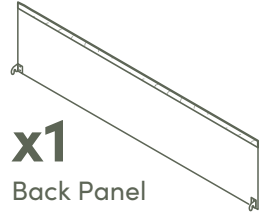
**x1**  
Backrest



**x1**  
Back Rail

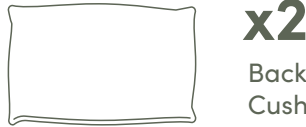


**x1**  
Right Armrest

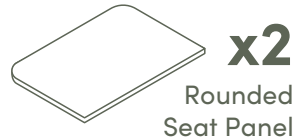


**x1**  
Back Panel

**x1** Centre Beam  
104-9376



**x2**  
Backrest  
Cushion  
Covers



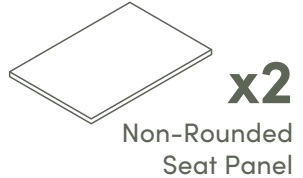
**x2**  
Rounded  
Seat Panel



**x1**  
Front Rail Cover



**x2**  
Backrest  
Cushions



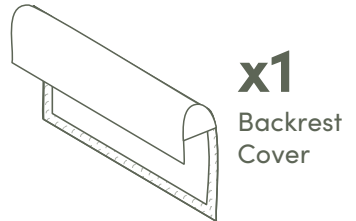
**x2**  
Non-Rounded  
Seat Panel



**x1**  
Left Armrest  
Cover



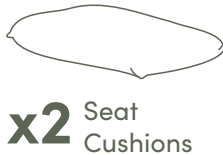
**x2** Seat Cushion  
Covers



**x1**  
Backrest  
Cover



**x1**  
Right Armrest  
Cover



**x2** Seat  
Cushions



**x5**  
Leg  
104-9377



**x2**  
Tri-Head Gumnut  
104-9379

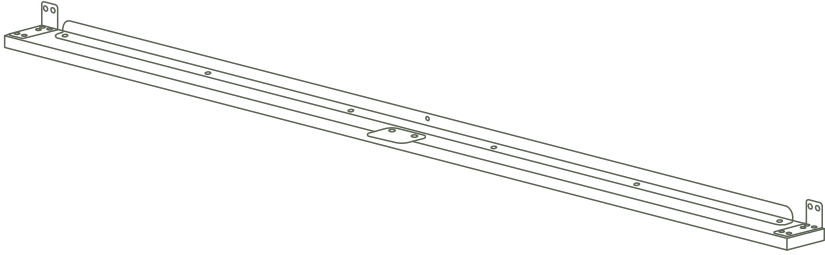


**x2**  
Round-Head Gumnut  
104-9378

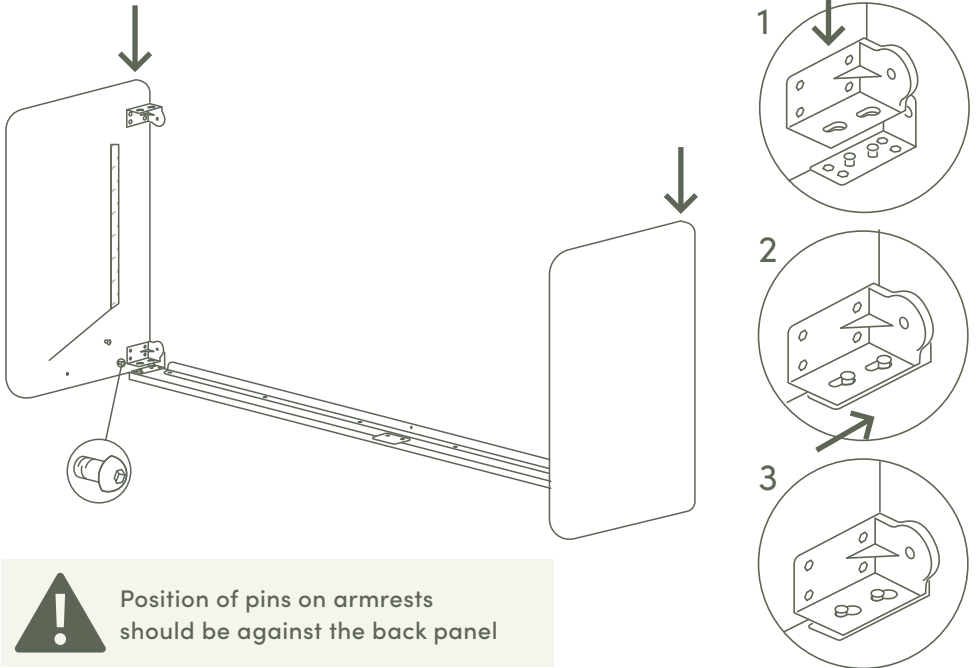
Click the button  
to watch the  
assembly video



1. Lay the back rail down with the corner connections facing up.

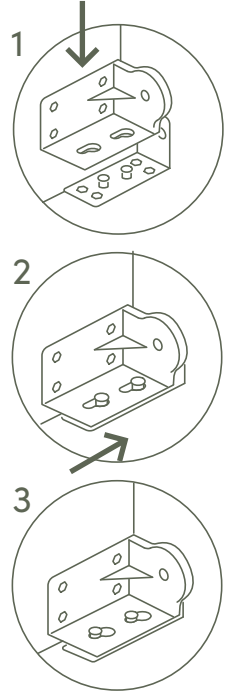
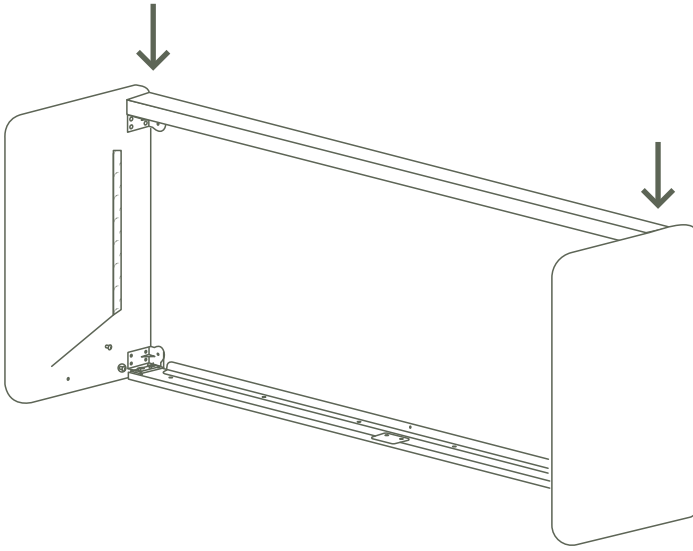


2. Connect the back rail to the armrests using the corner connections.

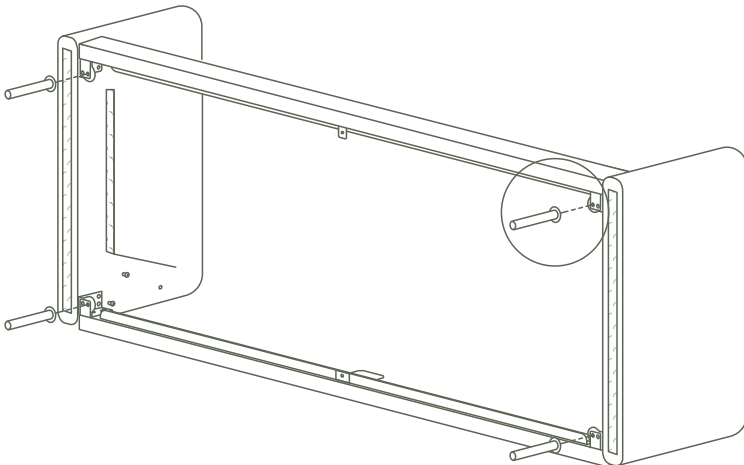


**3.** Connect the front rail to the armrests using the corner connections.

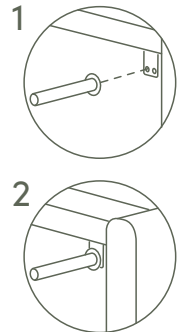
Click the button to watch the assembly video



**4.** Firmly screw in legs into corner connection.

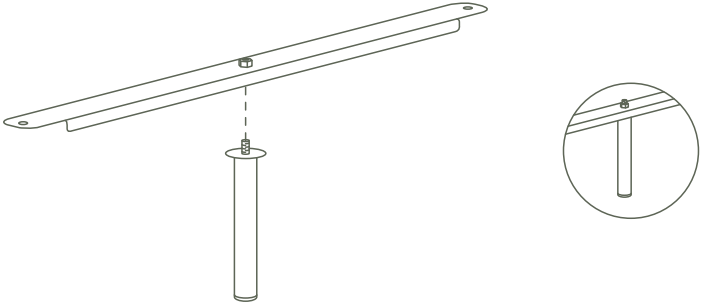


**x4**



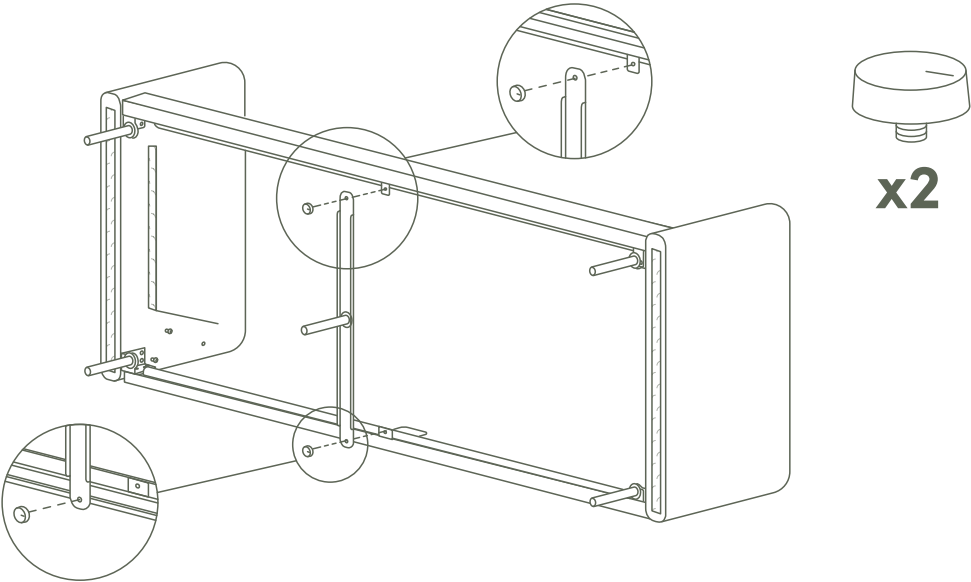
**5.** Firmly screw leg into the centre beam.

Click the button  
to watch the  
assembly video



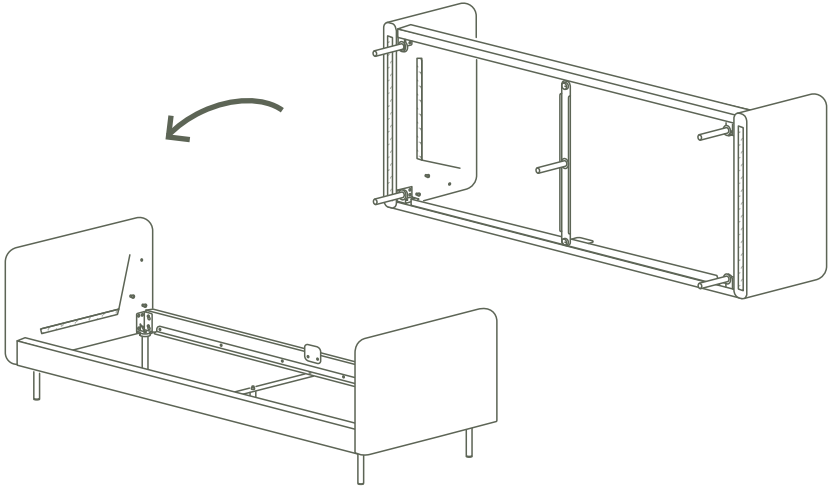
Ensure centre beam is in correct  
orientation before screwing leg in

**6.** Secure the centre beam with two round-head gumnuts.

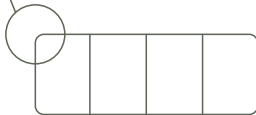
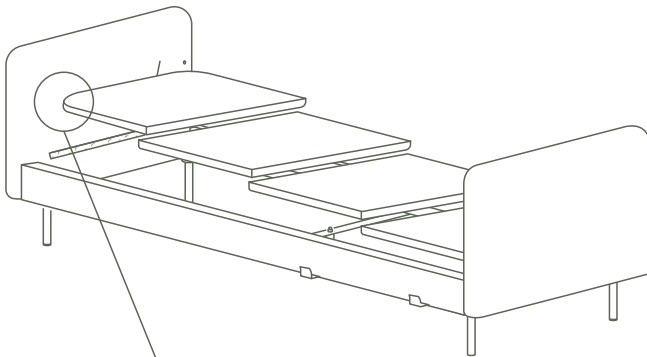


**7.** Hold the front panel and carefully lower the sofa onto its legs.

Click the button to watch the assembly video



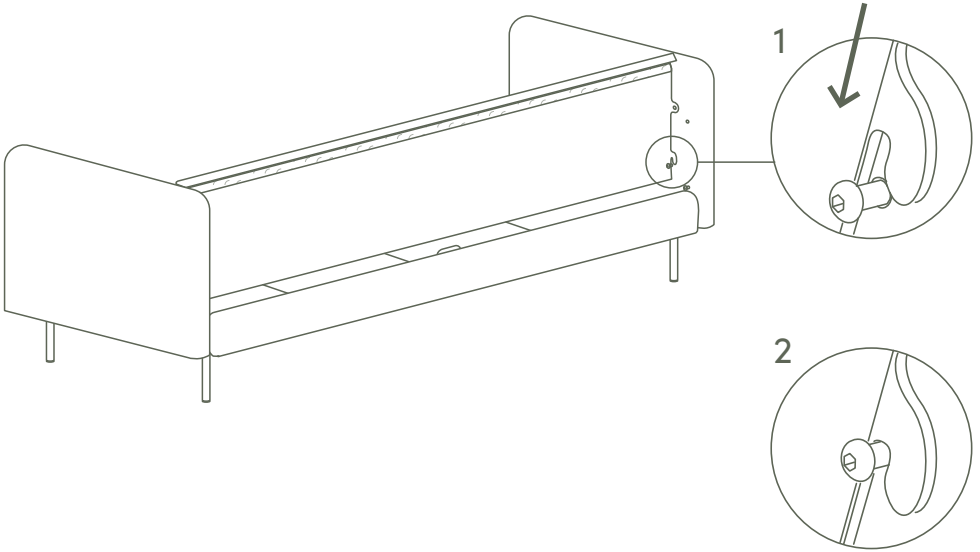
**8.** Place the seat panels onto the frame.



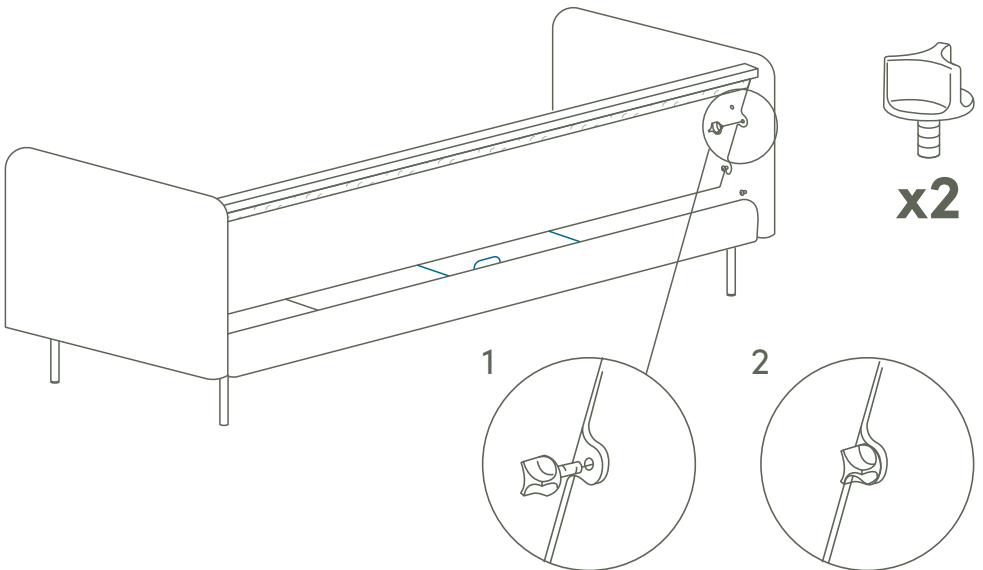
Ensure the rounded seat panels are in the outer positions

**9.** Guide the backrest hooks into the upper armrest pins.

Click the button to watch the assembly video

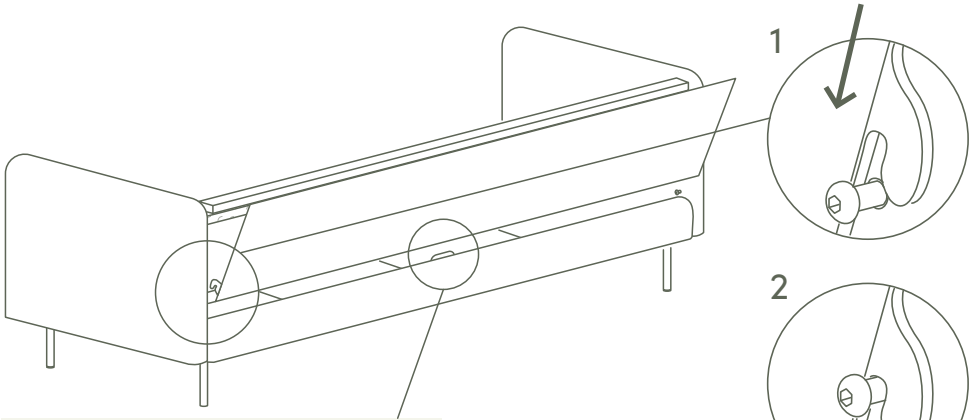


**10.** Align the holes and screw in the tri-head gumnuts.



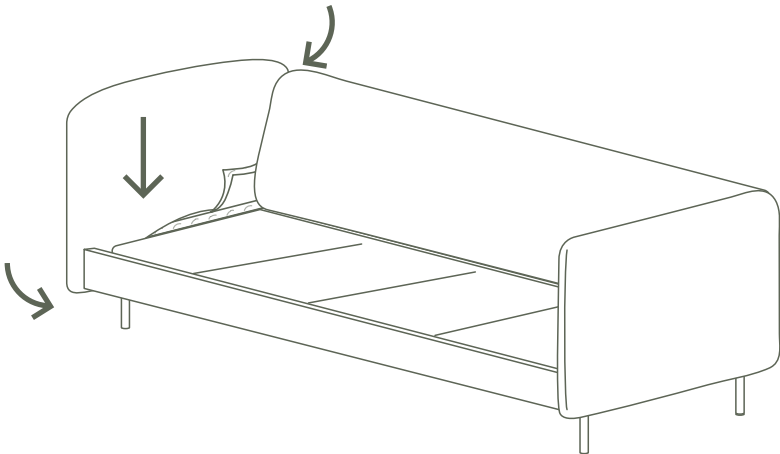
**11.** Guide the backrest panel hooks into the lower armrest pins then rotate and press against the backrest to secure.

Click the button to watch the assembly video



Ensure metal plate on back rail is not visible when assembled

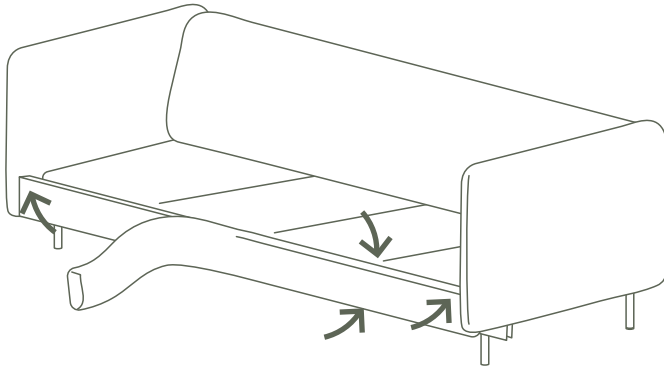
**12.** Place armrest cover over armrest and secure with velcro at the back, bottom and inside. Repeat for second armrest.



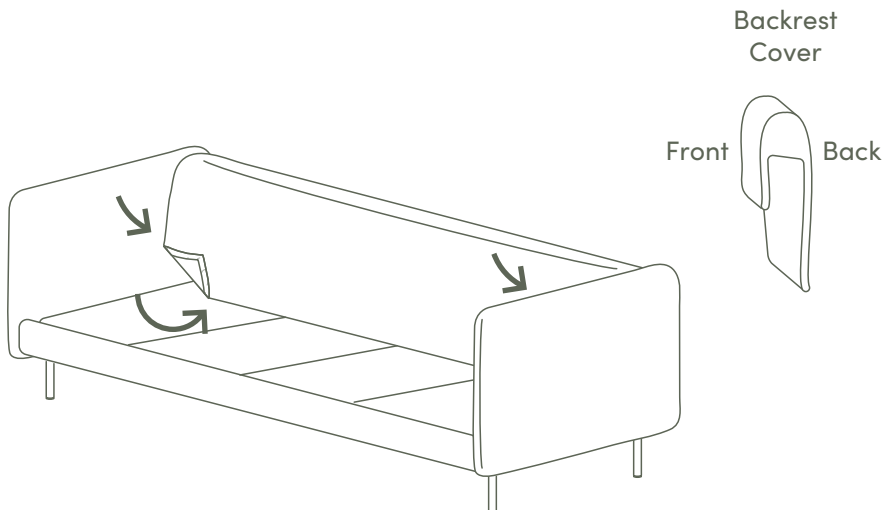


- 13.** Place front rail cover over one side of the front rail and secure with velcro along the length of the top and bottom, then tuck the cover on the other side.

Click the button to watch the assembly video

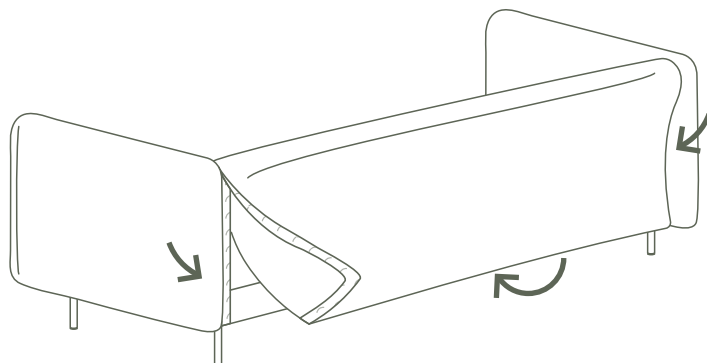


- 14.** Attach front side velcro of the backrest cover to the velcro on the armrest cover, then attach the front bottom velcro of the backrest cover to the base of the backrest.

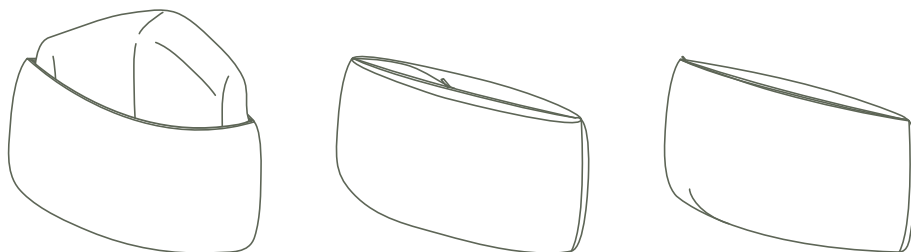


- 15.** Attach back side velcro of the backrest cover to the velcro on the back panel and back rail, then attach the back bottom velcro of the backrest cover to the base of the back rail.

Click the button  
to watch the  
assembly video



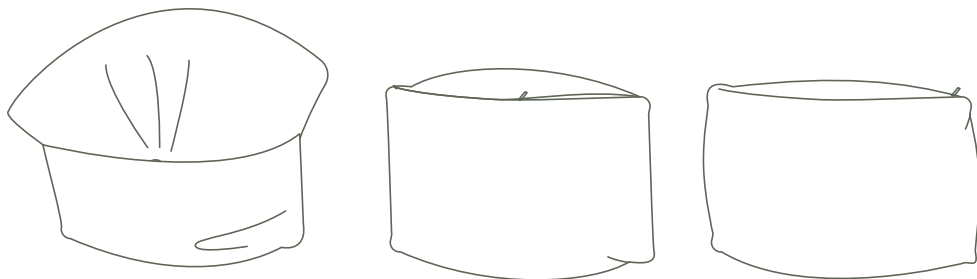
- 
- 16.** Place the seat cushions in the seat cushion covers, then zip the cover closed.



Ensure zips are aligned to correctly orientate the seat cushion covers and the seat cushions

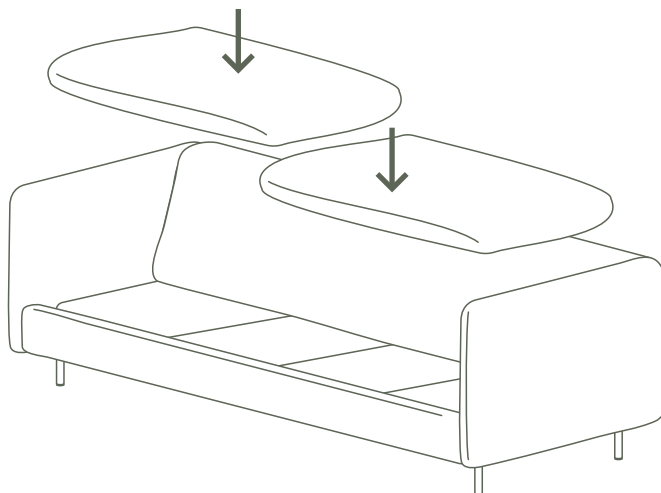
- 17.** Place the backrest cushions in the backrest cushion covers, then zip the cover closed.

Click the button  
to watch the  
assembly video



Ensure zips are aligned to correctly orientate the seat cushion covers and the seat cushions

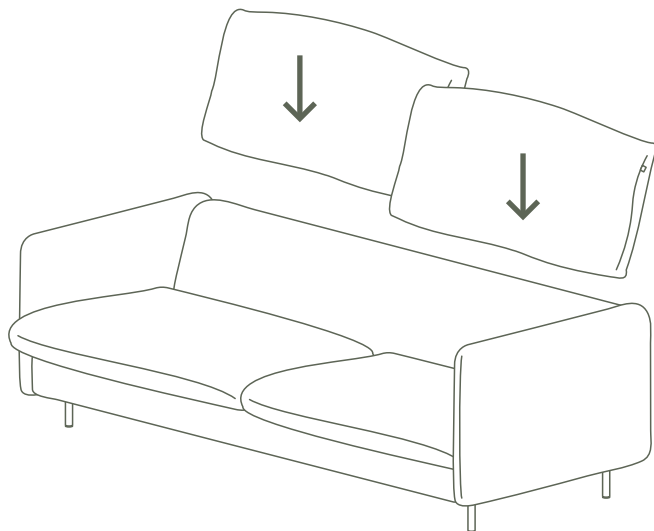
- 
- 18.** Place the seat cushions onto the sofa.



19.

Place the backrest cushions onto the sofa.

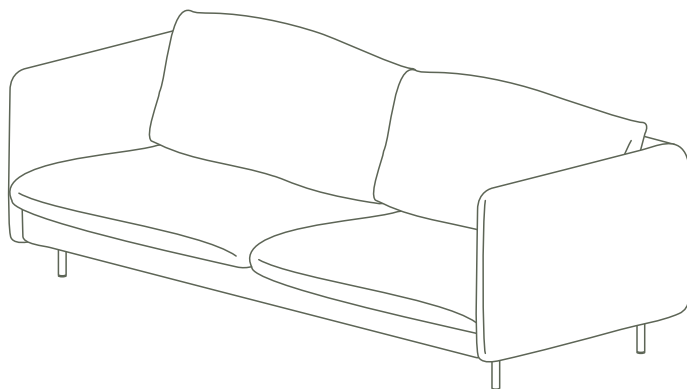
Click the button  
to watch the  
assembly video



---

20.

Enjoy!





### FABRIC

#### Lining Fabric

- Vacuum regularly using low suction.
- Protect from direct sunlight.

#### Removable Covers

- For correct care of the removable covers refer to the care label inside covers for additional cleaning instructions.

#### Spot Cleaning

- Remove any spills immediately by gently blotting any liquid with a clean cloth.
- Scoop up any solids before blotting the remaining liquid.
- Use a mild detergent to gently remove any loose soilage.
- Do not scrub with a stiff brush.
- Use a clean cloth to blot out any excess liquid.
- Avoid over wetting as this may result in a water mark.
- Allow the fabric to air dry in a well ventilated area away from direct sunlight.

**NOTE:** PRETEST THE CLEANING METHOD ON A HIDDEN AREA OF THE SOFA. IF CHANGE IN COLOUR, OR TRANSFER DO NOT CONTINUE.

### PILLING

Pilling can occur occasionally as a result of normal daily wear and should not be considered a fault. Fibre pills can be removed with a battery operated pilling tool, available from most haberdashery stores.

**WARNING:** CARELESS USE OF CIGARETTES AND MATCHES COULD SET FIRE TO THIS PRODUCT.

### FRAME

#### Regular Care

- Wipe down with a clean cloth.
- Protect from direct sunlight.

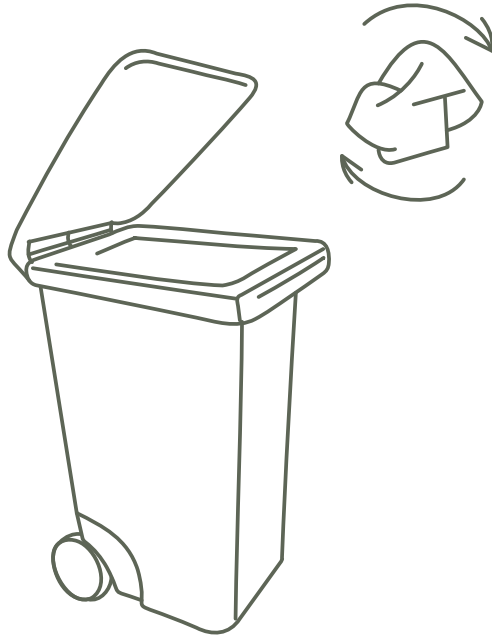
#### Cleaning

- Do not use abrasive cloths or concentrated detergents on metal frame.

### SAFETY AND USE

- Avoid sitting on the arms or backrest.

Click the button  
to watch the  
assembly video



don't forget to recycle.

**koala**