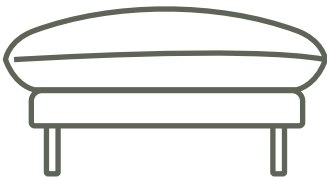


Click the button  
to watch the  
assembly video



**SUFFOLK OTTOMAN**

**ko'do**

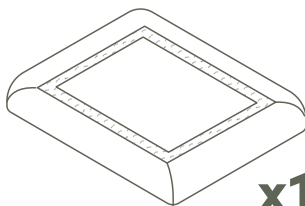
# What's in the box\*:

\*Not to scale



**x4**

Leg  
104-9377

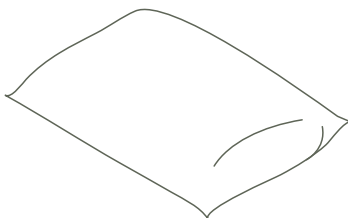


**x1**

Ottoman

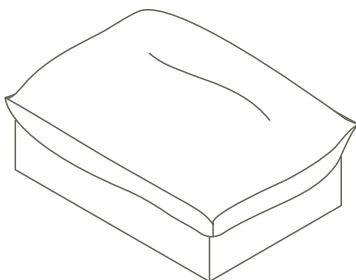
**x1**

Ottoman Cushion



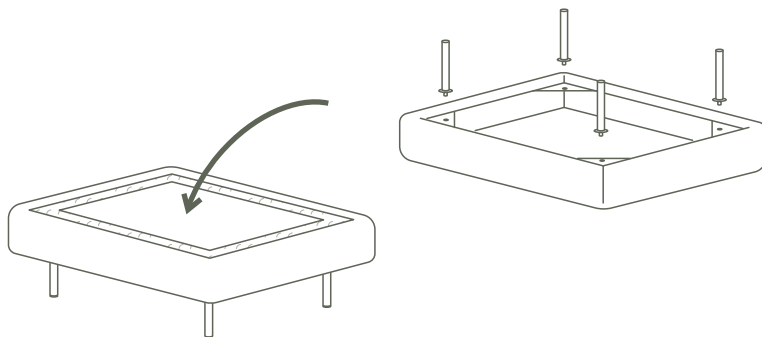
**x1**

Ottoman Cover



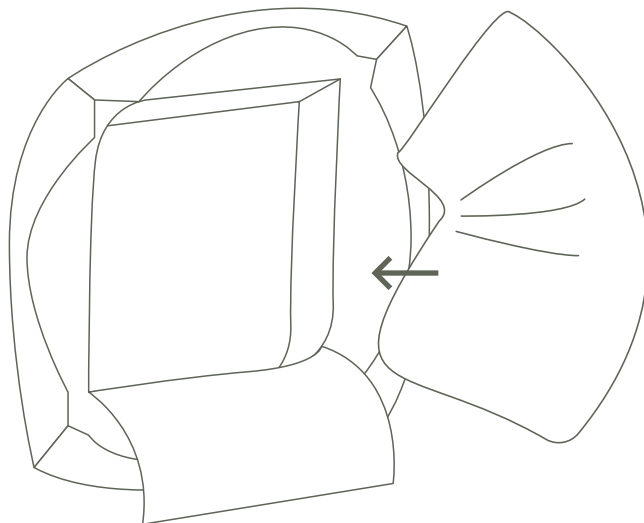
**1.** Firmly screw in legs into ottoman.

Click the button  
to watch the  
assembly video



---

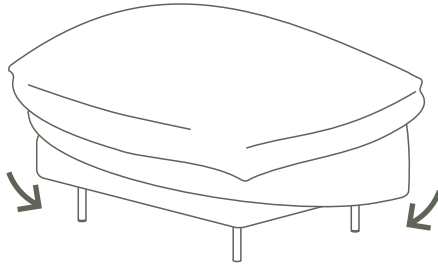
**2.** Place ottoman cushion in the ottoman cushion cover, then zip the cover closed.



3.

Place the ottoman cushion onto the frame and secure velcro to the bottom

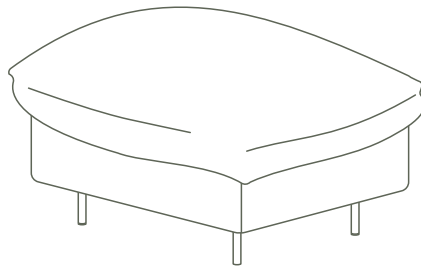
Click the button  
to watch the  
assembly video



---

4.

Enjoy!



## Product Information and Care

### FABRIC

#### Lining Fabric

- Vacuum regularly using low suction.
- Protect from direct sunlight.

#### Removable Covers

- For correct care of the removable covers refer to the care label inside covers for additional cleaning instructions.

#### Spot Cleaning

- Remove any spills immediately by gently blotting any liquid with a clean cloth.
- Scoop up any solids before blotting the remaining liquid.
- Use a mild detergent to gently remove any loose soilage.
- Do not scrub with a stiff brush.
- Use a clean cloth to blot out any excess liquid.
- Avoid over wetting as this may result in a water mark.
- Allow the fabric to air dry in a well ventilated area away from direct sunlight.

**NOTE:** PRETEST THE CLEANING METHOD ON A HIDDEN AREA OF THE SOFA. IF CHANGE IN COLOUR, OR TRANSFER DO NOT CONTINUE.

### PILLING

Pilling can occur occasionally as a result of normal daily wear and should not be considered a fault. Fibre pills can be removed with a battery operated pilling tool, available from most haberdashery stores.

**WARNING:** CARELESS USE OF CIGARETTES AND MATCHES COULD SET FIRE TO THIS PRODUCT.

### FRAME

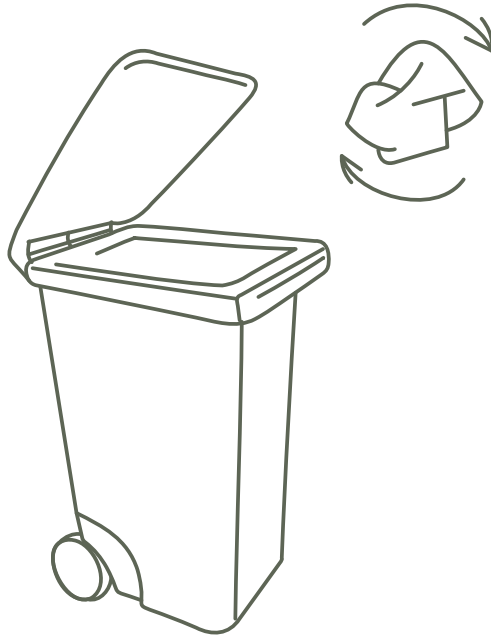
#### Regular Care

- Wipe down with a clean cloth.
- Protect from direct sunlight.

#### Cleaning

- Do not use abrasive cloths or concentrated detergents on metal frame.

Click the button  
to watch the  
assembly video



don't forget to recycle.

**koala**