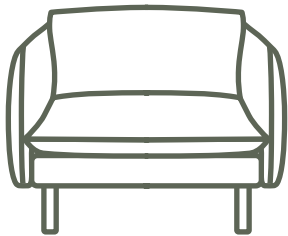


Click the button
to watch the
assembly video



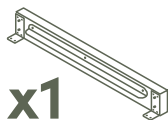
SUFFOLK ARMCHAIR

Ko'da

What's in the box*:

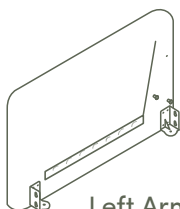
*Not to scale

Click the button
to watch the
assembly video



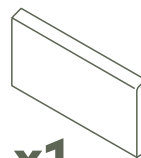
x1

Front Rail



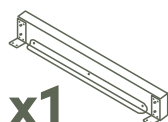
x1

Left Armrest



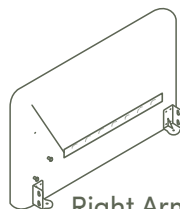
x1

Backrest



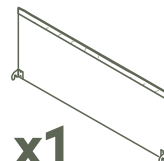
x1

Back Rail



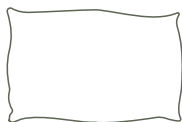
x1

Right Armrest



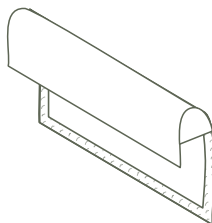
x1

Back Panel



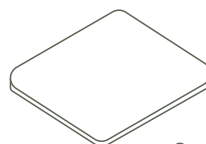
x1

Backrest
Cushion



x1

Backrest
Cover



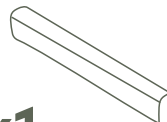
x1

Seat Panel



x1

Backrest
Cushion Cover



x1

Front Rail Cover



x1

Seat
Cushion
Cover



x1

Left
Armrest
Cover



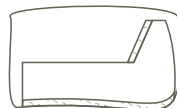
x2

Tri-Head
Gumnut
104-9379



x1

Seat
Cushion



x1

Right
Armrest
Cover



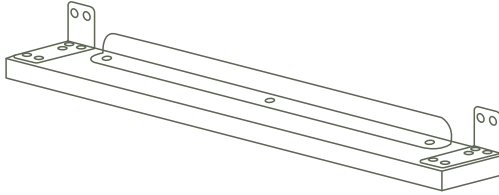
x4

Leg
104-9377

1.

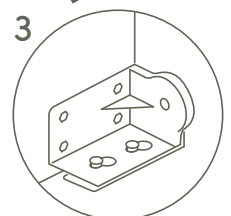
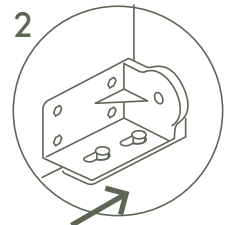
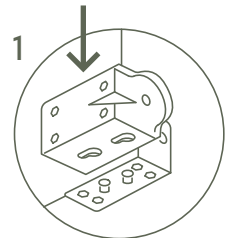
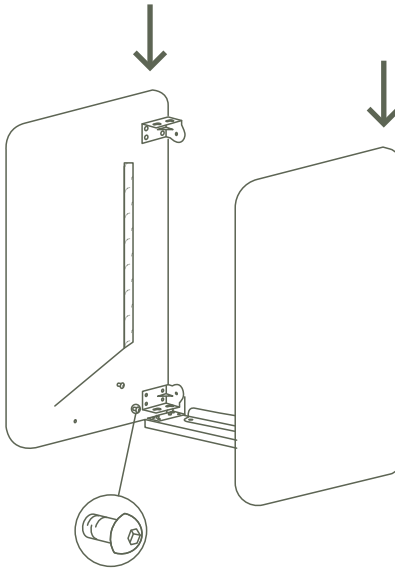
Lay the back rail down with the corner connections facing up.

Click the button to watch the assembly video



2.

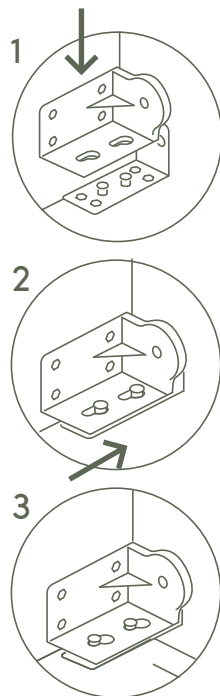
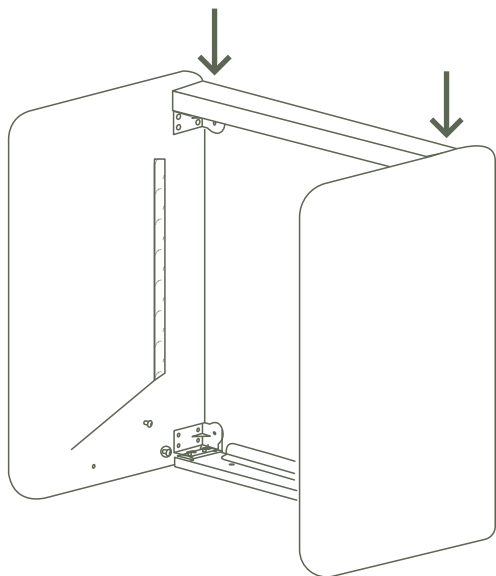
Connect the back rail to the armrests using the corner connections.



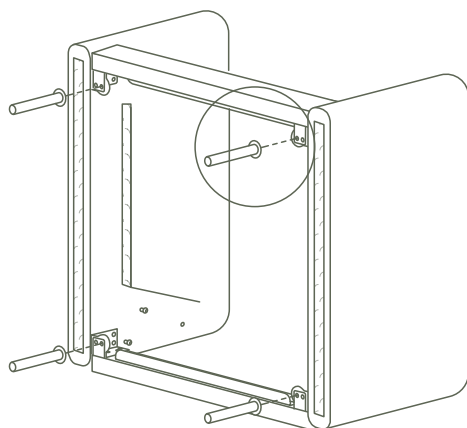
Position of pins on armrests should be against the back panel

3. Connect the front rail to the armrests using the corner connections.

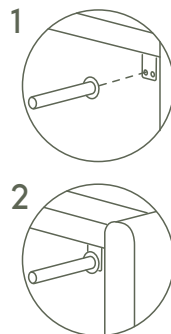
Click the button to watch the assembly video



4. Firmly screw in legs into corner connection.

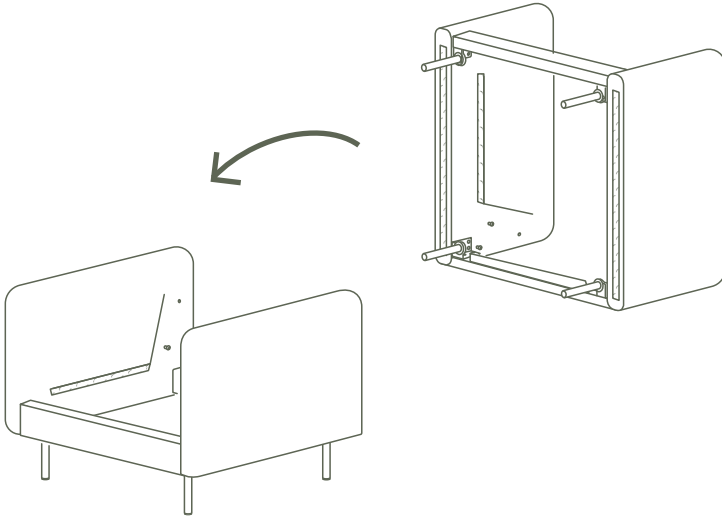


x4

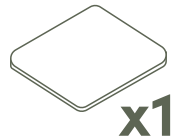
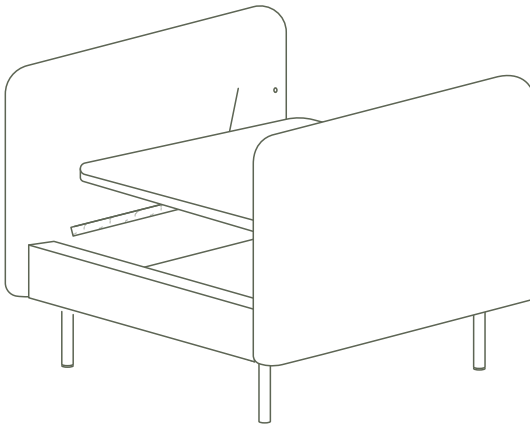


5. Hold the front panel and carefully lower the sofa onto its legs.

Click the button to watch the assembly video

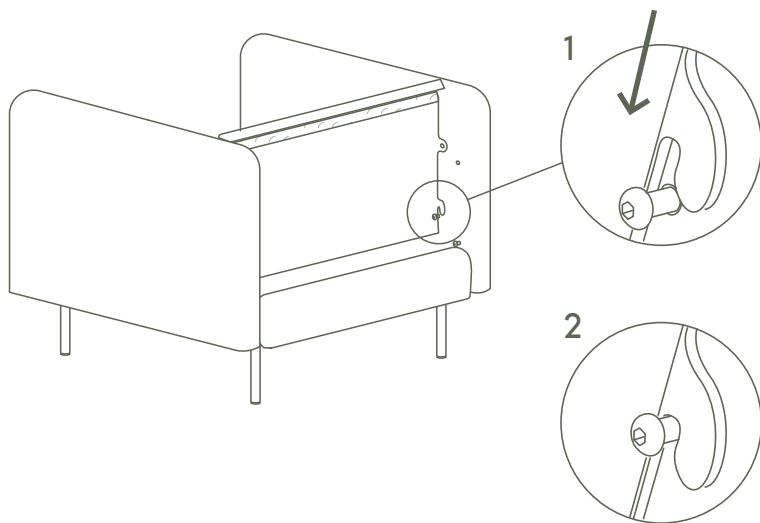


6. Place the seat panels onto the frame.

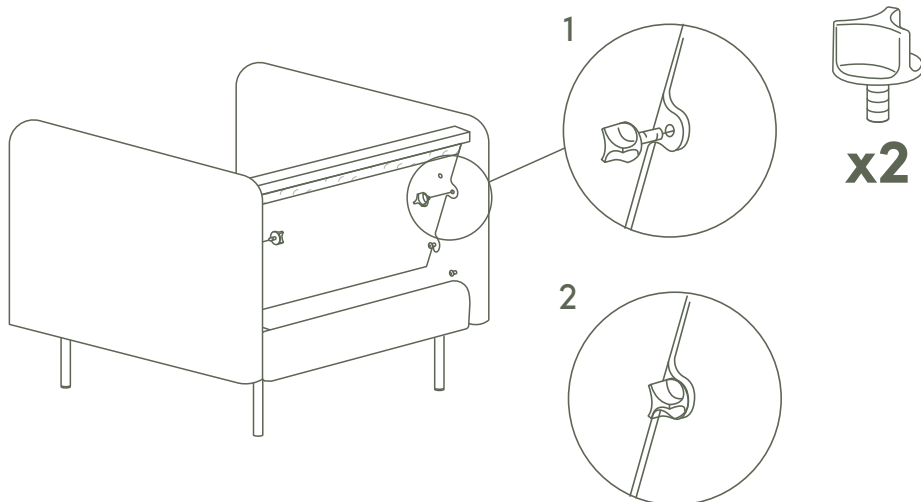


7. Guide the backrest hooks into the upper armrest pins.

Click the button to watch the assembly video



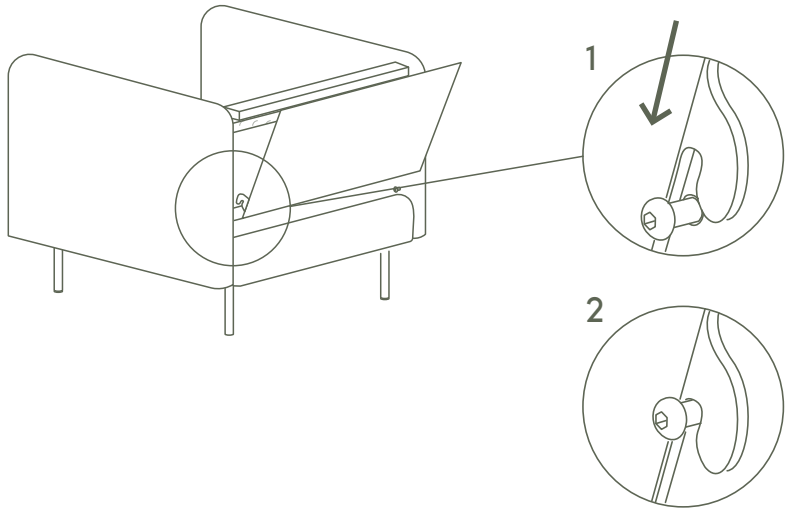
8. Align the holes and screw in the tri-head gumnuts.



9.

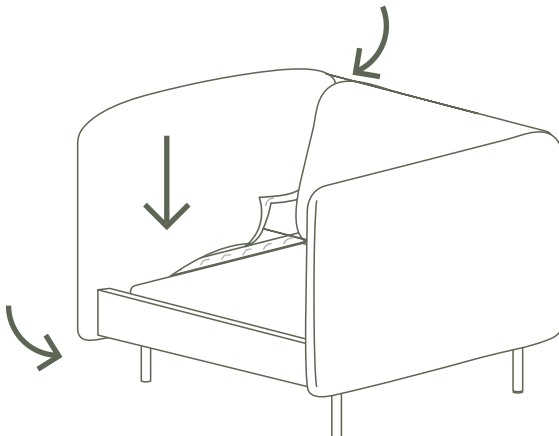
Guide the backrest panel hooks into the lower armrest pins then rotate and press against the backrest to secure.

Click the button to watch the assembly video



10.

Place armrest cover over armrest and secure with velcro at the back, bottom and inside. Repeat for second armrest.

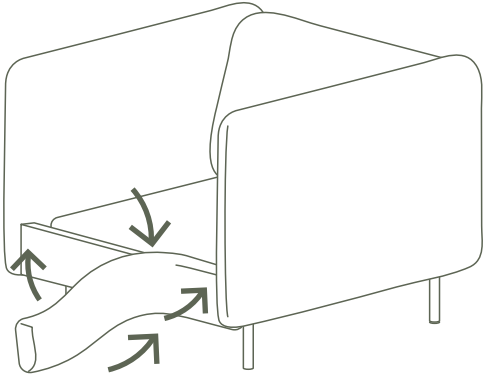


Click the button
to watch the
assembly video



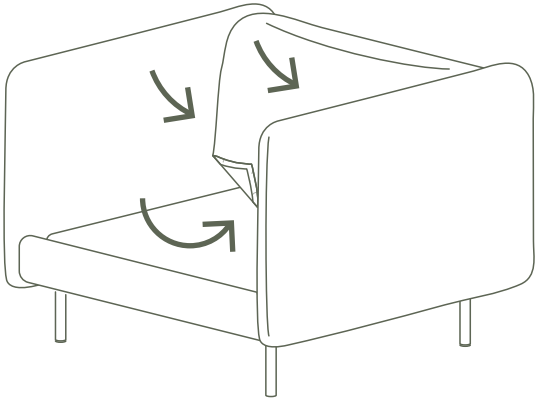
11.

Place front rail cover over one side of the front rail and secure with velcro along the length of the top and bottom, then tuck the cover on the other side.

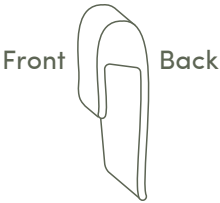


12.

Attach front side velcro of the backrest cover to the velcro on the armrest cover, then attach the front bottom velcro of the backrest cover to the base of the backrest.



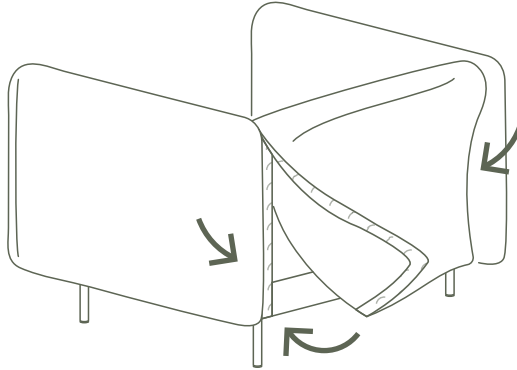
Backrest
Cover



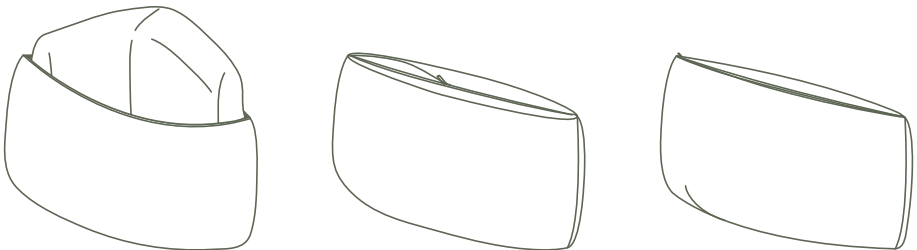
Click the button
to watch the
assembly video



- 13.** Attach back side velcro of the backrest cover to the velcro on the back panel and back rail, then attach the back bottom velcro of the backrest cover to the base of the back rail.



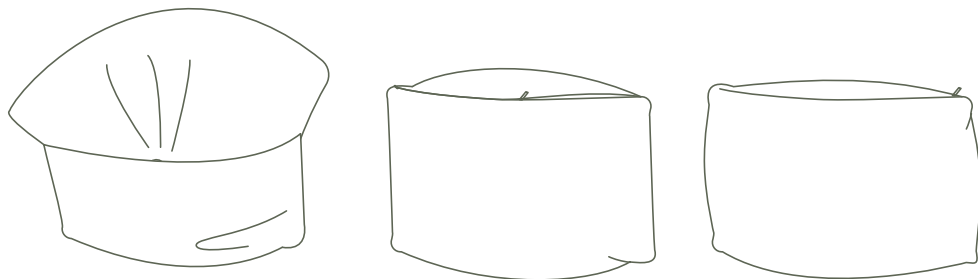
- 14.** Place the seat cushion in the seat cushion covers, then zip the cover closed.



Ensure zips are aligned to correctly orientate the seat cushion cover and the seat cushion

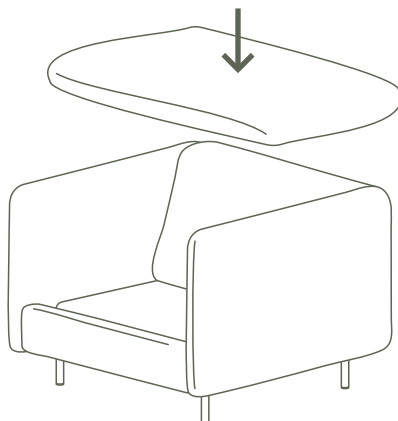
15. Place the backrest cushions in the backrest cushion covers, then zip the cover closed.

Click the button to watch the assembly video



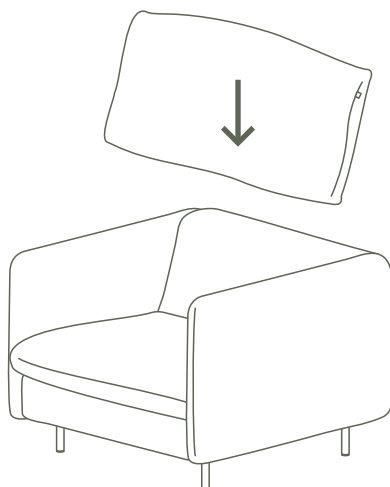
Ensure zips are aligned to correctly orientate the seat cushion covers and the seat cushions

16. Place the seat cushions onto the sofa.

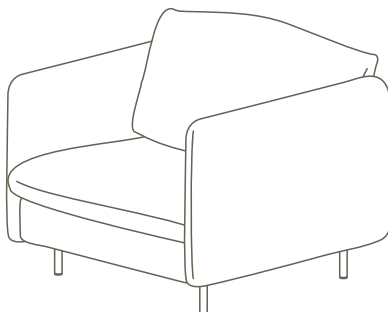


17. Place the backrest cushions onto the sofa.

Click the button
to watch the
assembly video



18. Enjoy!



Product Information and Care

FABRIC

Lining Fabric

- Vacuum regularly using low suction.
- Protect from direct sunlight.

Removable Covers

- For correct care of the removable covers refer to the care label inside covers for additional cleaning instructions.

Spot Cleaning

- Remove any spills immediately by gently blotting any liquid with a clean cloth.
- Scoop up any solids before blotting the remaining liquid.
- Use a mild detergent to gently remove any loose soilage.
- Do not scrub with a stiff brush.
- Use a clean cloth to blot out any excess liquid.
- Avoid over wetting as this may result in a water mark.
- Allow the fabric to air dry in a well ventilated area away from direct sunlight.

NOTE: PRETEST THE CLEANING METHOD ON A HIDDEN AREA OF THE SOFA. IF CHANGE IN COLOUR, OR TRANSFER DO NOT CONTINUE.

PILLING

Pilling can occur occasionally as a result of normal daily wear and should not be considered a fault. Fibre pills can be removed with a battery operated pilling tool, available from most haberdashery stores.

WARNING: CARELESS USE OF CIGARETTES AND MATCHES COULD SET FIRE TO THIS PRODUCT.

FRAME

Regular Care

- Wipe down with a clean cloth.
- Protect from direct sunlight.

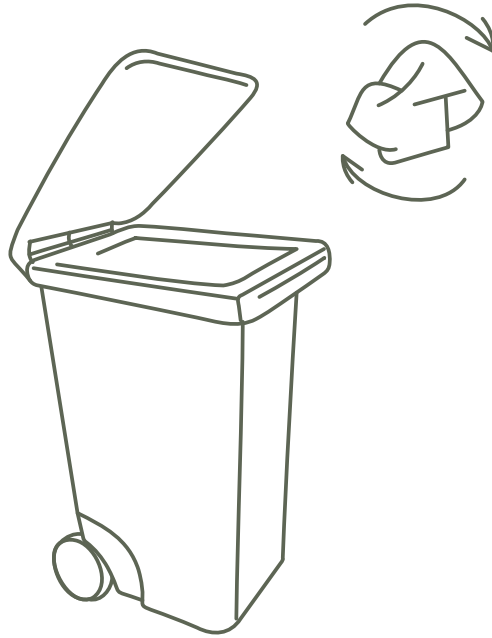
Cleaning

- Do not use abrasive cloths or concentrated detergents on metal frame.

SAFETY AND USE

- Avoid sitting on the arms or backrest.

Click the button
to watch the
assembly video



don't forget to recycle.

koala