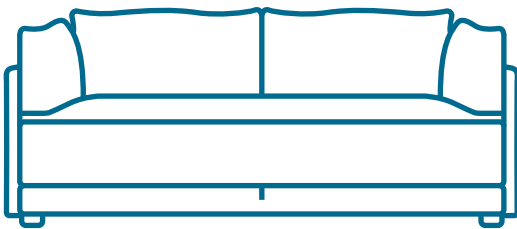


Click the button
to watch the
assembly video



STUNNER SOFA BED

Ko'da

What's in the box*:

*Not to scale

Click the button
to watch the
assembly video



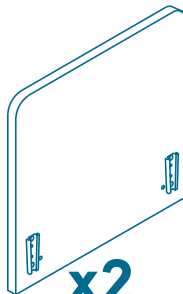
x5
Leg



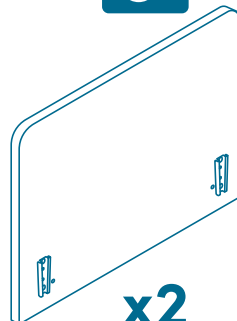
x4
Tri-Head
Gumnut



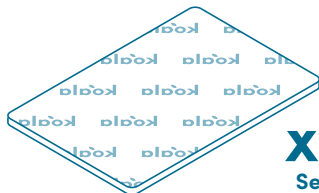
x8
Round-Head
Gumnut



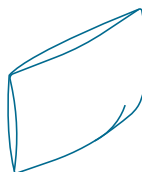
x2
Armrest



x2
Backrest

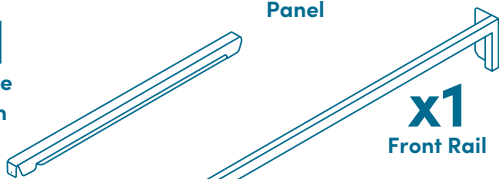


x2
Seat
Panel

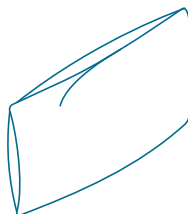


x2
Arm
Cushions

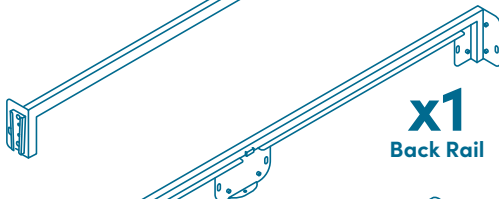
x1
Centre
Beam



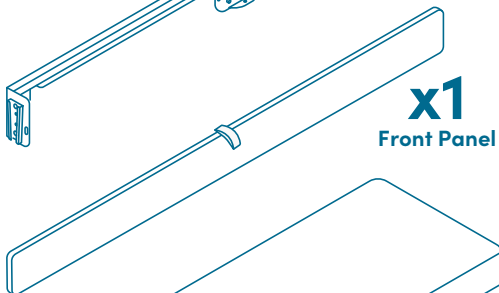
x1
Front Rail



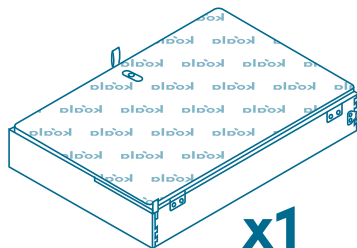
x2
Back
Cushions



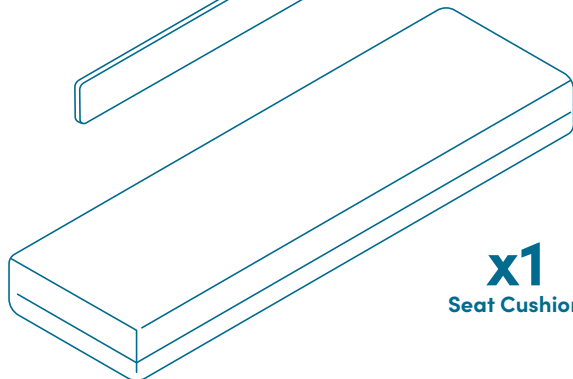
x1
Back Rail



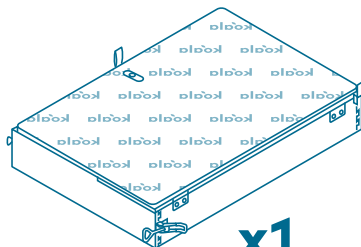
x1
Front Panel



x1
Right Storage Box



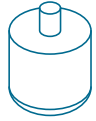
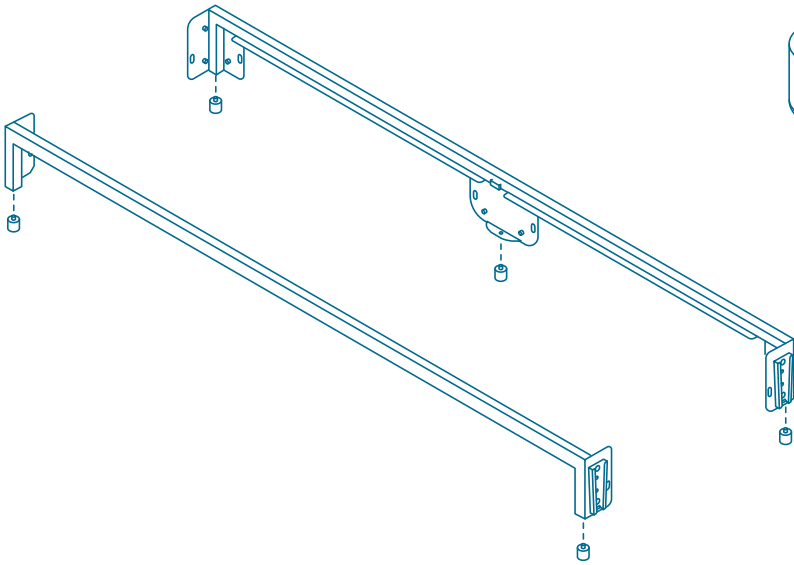
x1
Seat Cushion



x1
Left Storage Box

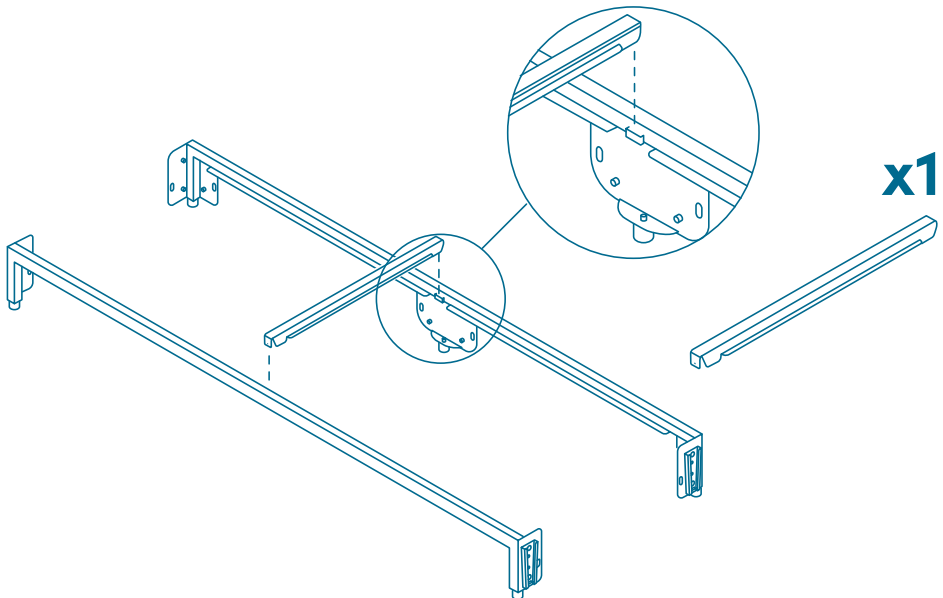
1. Screw legs onto front rail and back rail.

Click the button to watch the assembly video



x5

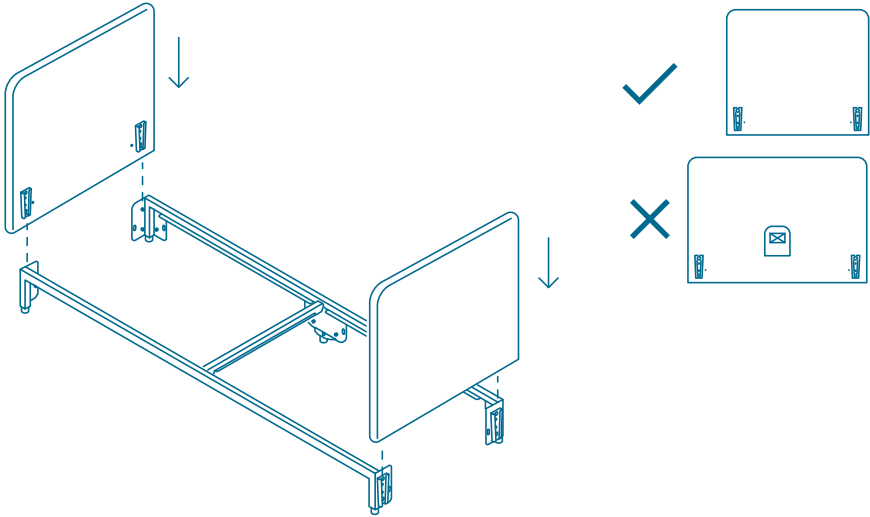
2. Slide centre beam into slot on front and back rail.



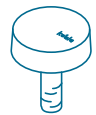
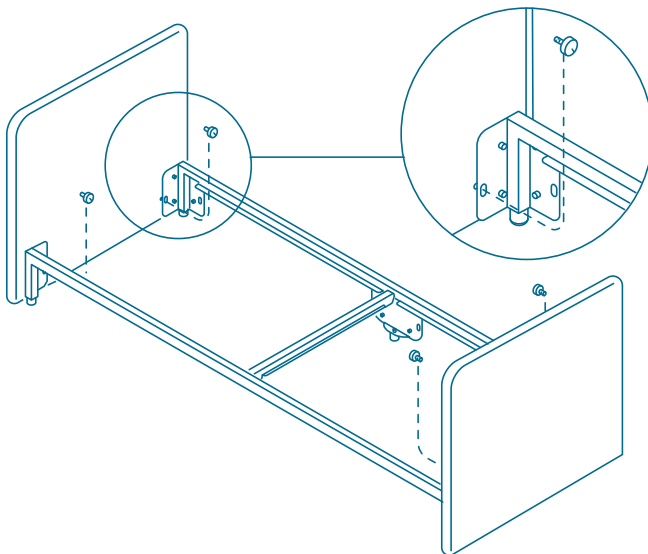
x1

3. Slide armrests onto front and back rail.

Click the button
to watch the
assembly video



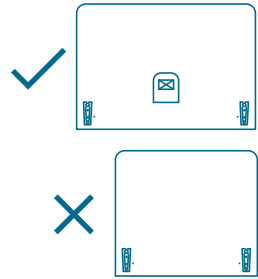
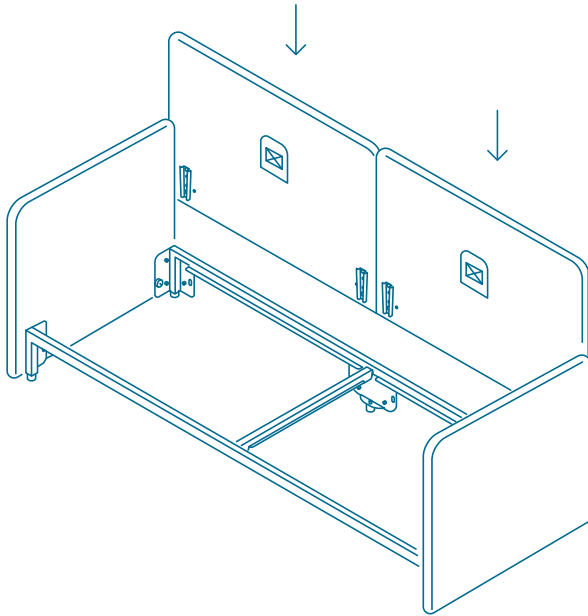
4. Screw gumnuts to secure armrests.



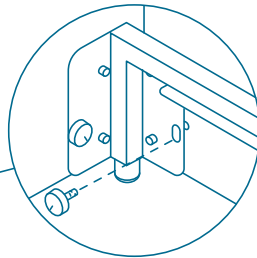
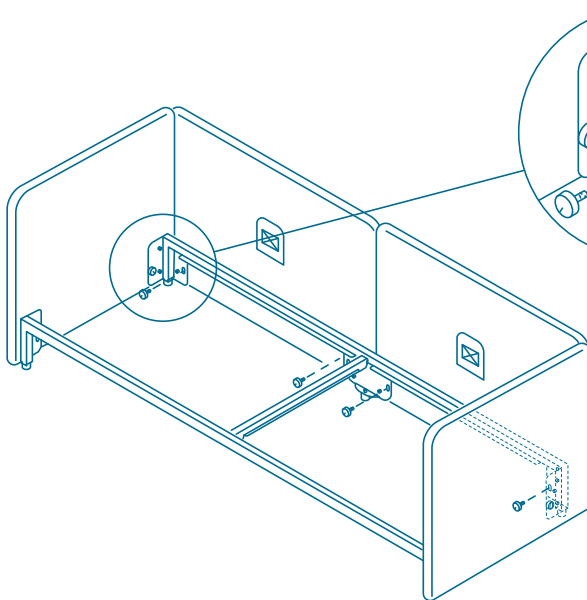
x4

5. Slide backrests onto back rail.

Click the button to watch the assembly video



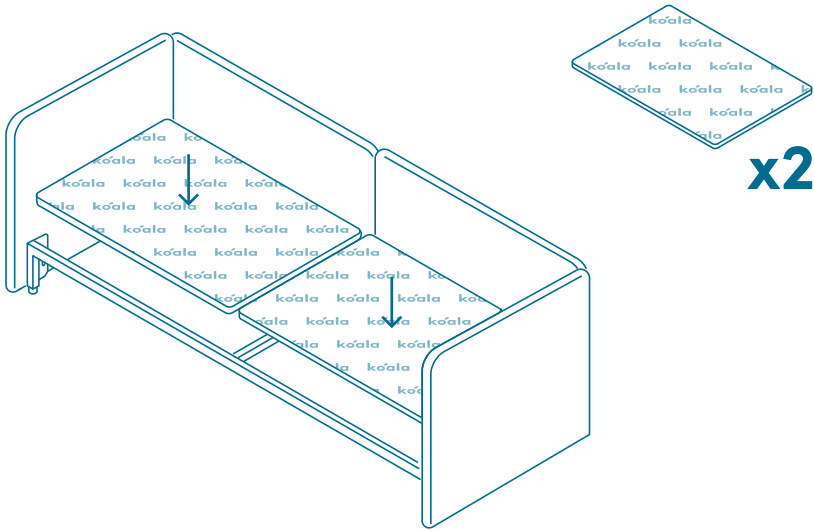
6. Screw gumnuts to secure backrests.



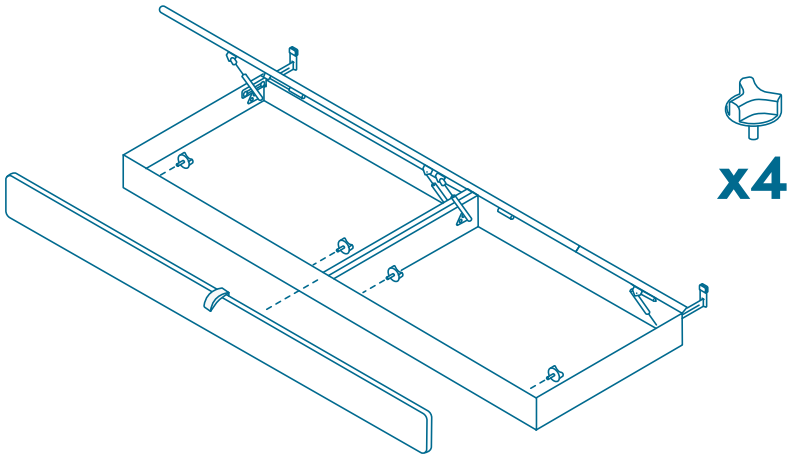
x4

7. Place seat panels onto frame.

Click the button to watch the assembly video



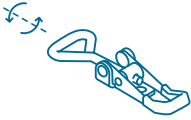
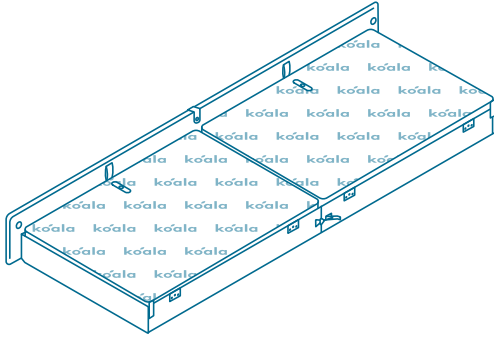
8. Attach front panel to left and right storage box with gumnuts.



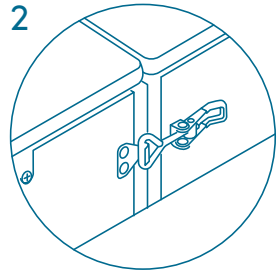
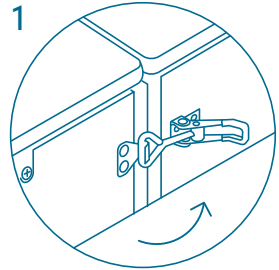
Loosley screw in all gumnuts before tightening

9. Connect left and right storage box with adjustable latch.

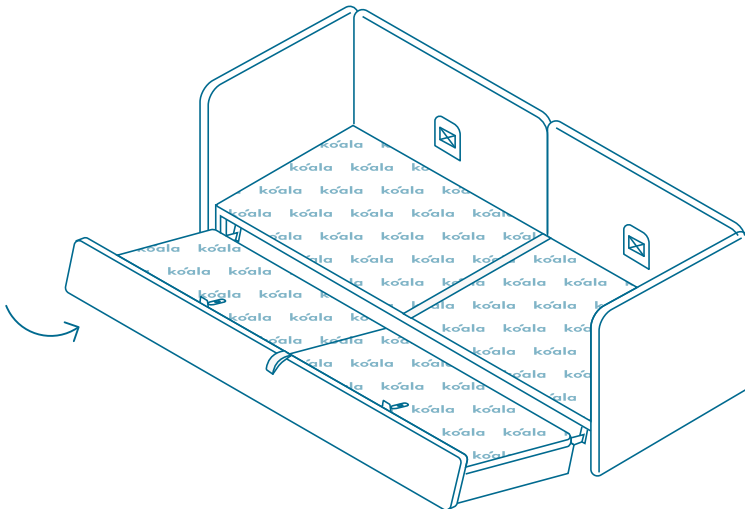
Click the button to watch the assembly video



If loose, twist latch to tighten before connecting

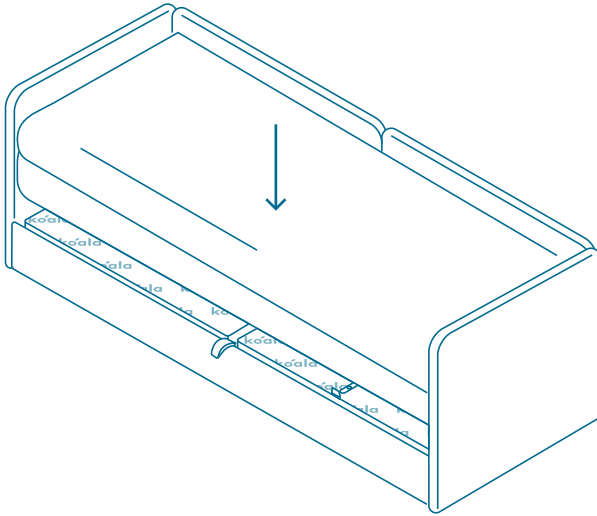


10. Hook storage box stopper underneath front rail.

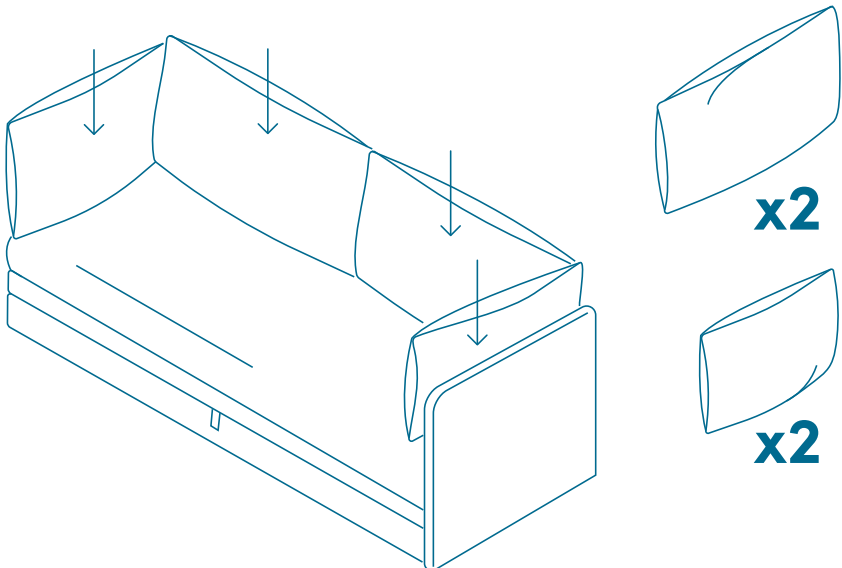


11. Place seat cushion onto frame.

Click the button
to watch the
assembly video

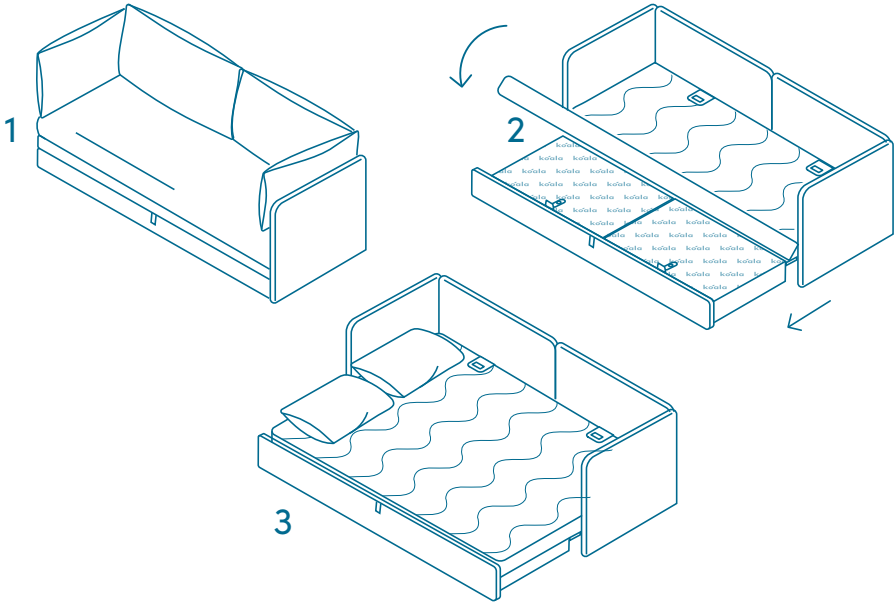


12. Place arm and back cushions onto sofa bed.

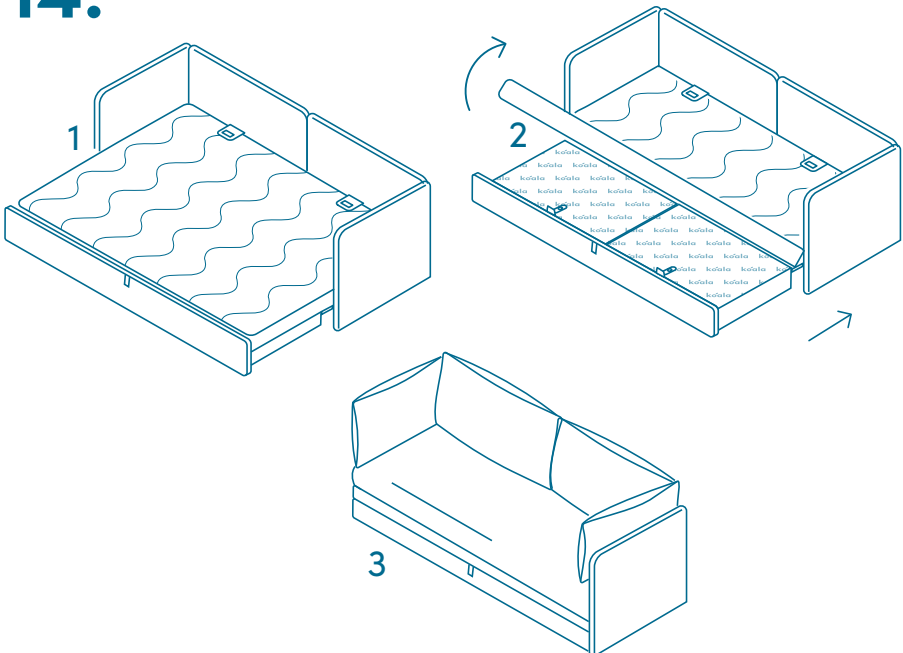


13. Convert to sofa bed.

Click the button to watch the assembly video

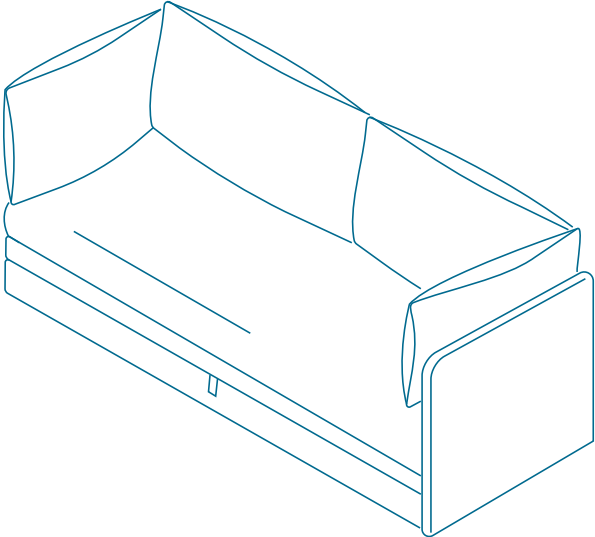


14. Convert to bed sofa.



15. Enjoy!

Click the button
to watch the
assembly video



Product Information and Care

FABRIC

Regular Care (Weekly)

- Vacuum regularly using low suction.
- Protect from direct sunlight.
- After use, you can fluff the cushions to bring them back to shape.

Spot Cleaning

- Remove any spills immediately by gently blotting any liquid with a clean cloth.
- Scoop up any solids before blotting the remaining soilage.
- Use a mild detergent to gently remove any loose soilage.
- Do not scrub with a stiff brush.
- Use a clean cloth to blot out any excess liquid.
- Avoid over wetting as this may result in a water mark.
- Allow the fabric to air dry in a well ventilated area away from direct sunlight.

NOTE: PRETEST THE CLEANING METHOD ON A HIDDEN AREA OF THE SOFA. IF CHANGE IN COLOUR, OR TRANSFER DO NOT CONTINUE.

PILLING

Pilling can occur occasionally as a result of normal daily wear and should not be considered a fault. Fibre pills can be removed with a battery operated pilling tool, available from most haberdashery stores.

WARNING: CARELESS USE OF CIGARETTES AND MATCHES COULD SET FIRE TO THIS PRODUCT.

FRAME

Regular Care (Weekly)

- Wipe down with a clean cloth.
- Protect from direct sunlight

Cleaning

- Do not use abrasive or concentrated detergents on metal frame.

USING THE SOFA & DRAWERS

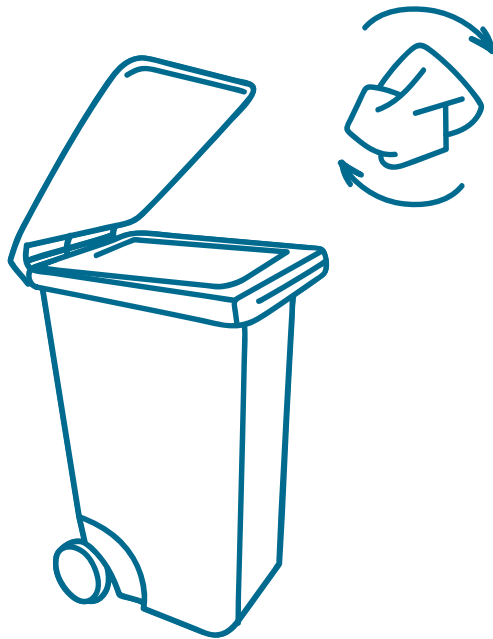
Weight Capacity

- Sofa Weight Capacity: 120kg per seat
- Drawer Weight Capacity: 20kg per drawer

SAFETY AND USE

- Open the drawer by pulling it open with the handle, close by pushing it from the middle.
- Drawer will work best on a smooth surface.
- Do not open lids of drawer when it is being used as a sofa bed.
- Remember they are drawers not toys.
- Do not jump or stand directly on the drawers.
- Avoid sitting on the arms or backrest.
- Avoid dragging the sofa if you need to move it (remember to remove the drawers first).

Click the button
to watch the
assembly video



don't forget to recycle.

ko'ala