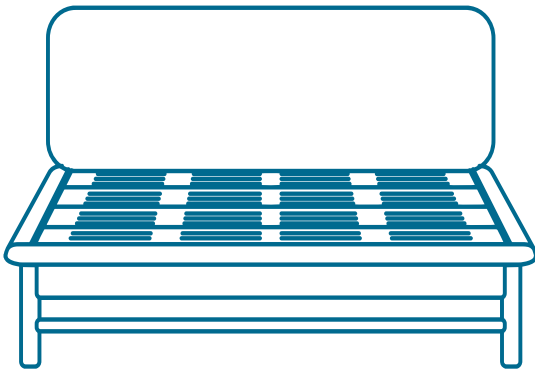


Click the button
to watch the
assembly video

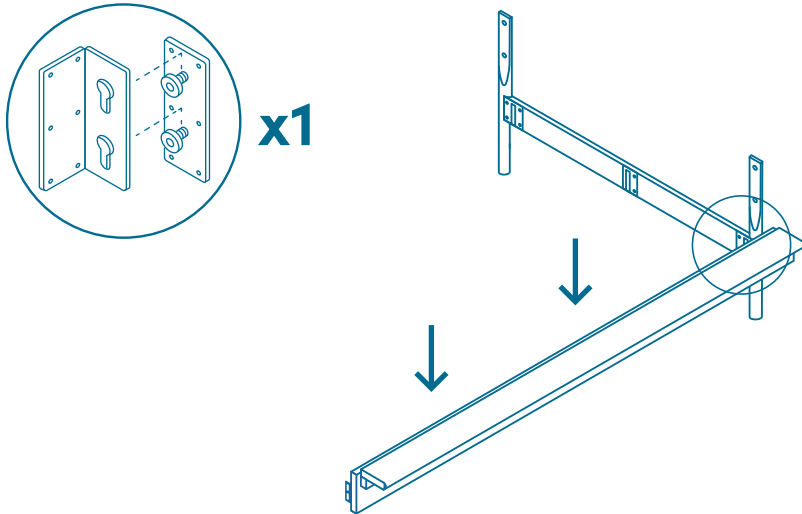


**SINGLE/KING SINGLE/DOUBLE/QUEEN
PADDINGTON BED BASE**

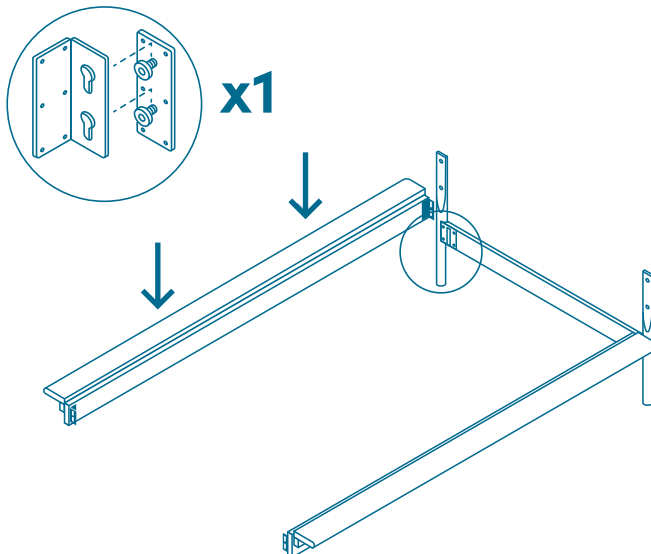
Ko'da

- 1.** Attach side panel bracket to headboard bracket and push down.

Click the button
to watch the
assembly video

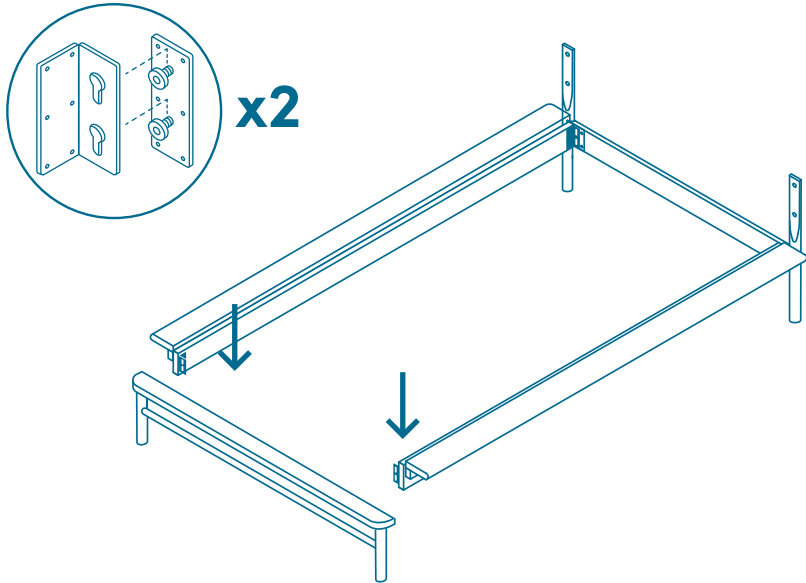


- 2.** Repeat for the other side.

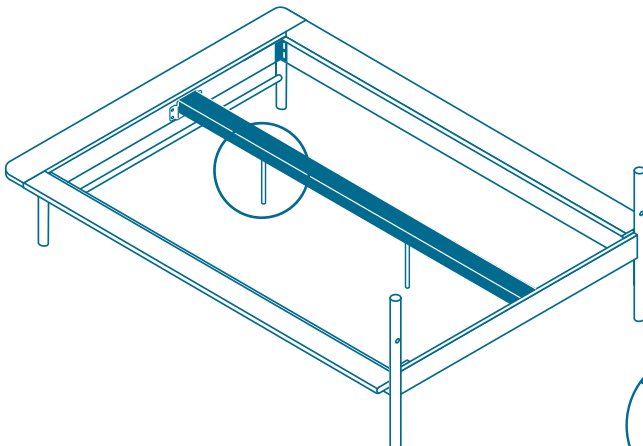
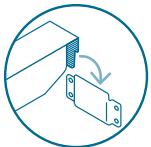


3. Attach side panels to the foot rail.

Click the button
to watch the
assembly video



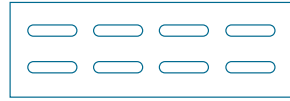
4. Screw legs (x2) in middle centre support, then attach centre support to headboard and footrail frame.



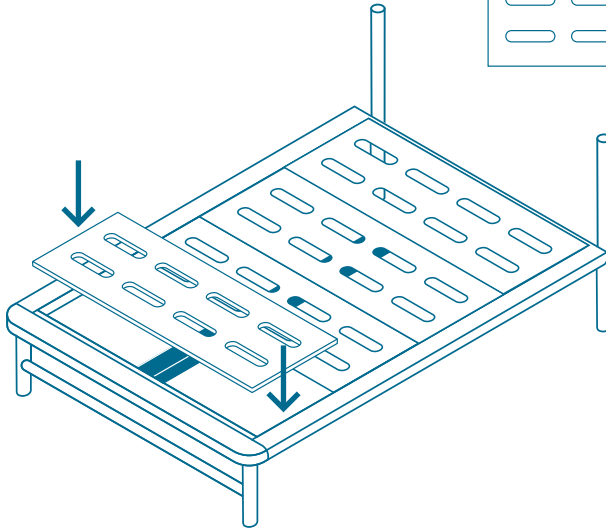
Adjust feet so it almost touches the ground

5. Lower the slat panel onto the bed base.
To secure the slat press down on the velcro
firmly until you hear a click.
Repeat with all slat panels.

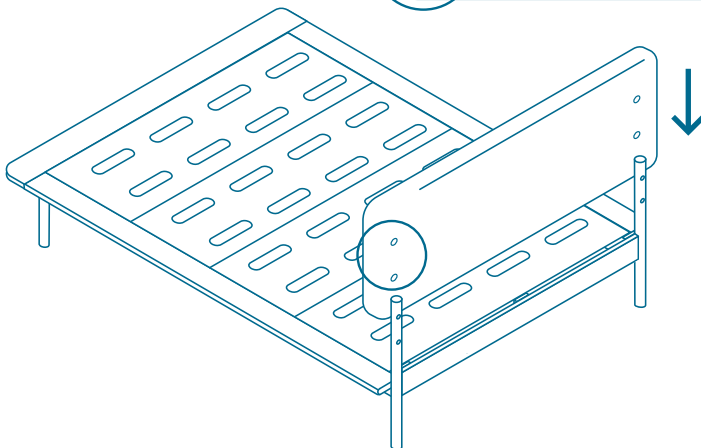
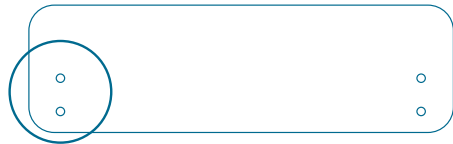
Click the button
to watch the
assembly video



x4

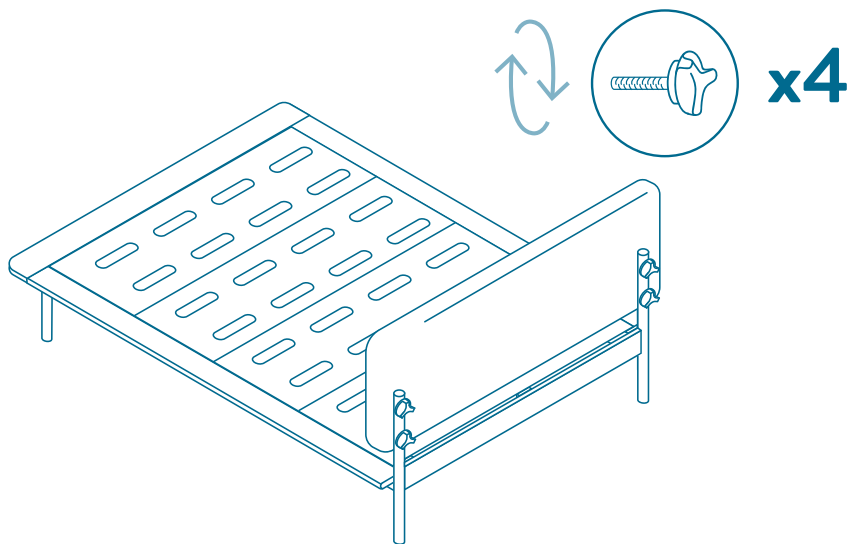


6. Align holes of headboard with holes on headboard bracket.

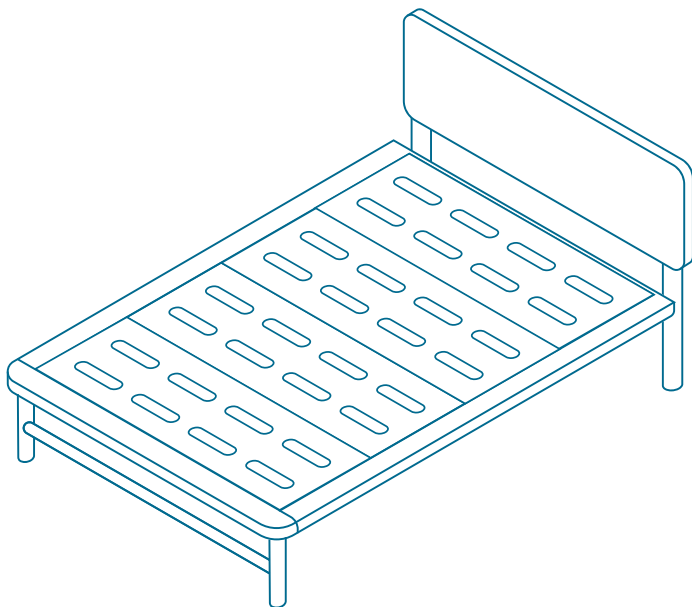


7. Secure headboard by using the gumnuts provided.

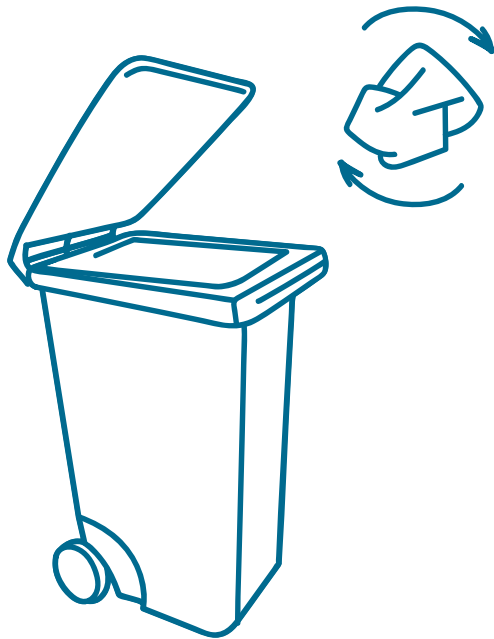
Click the button
to watch the
assembly video



8. Enjoy!



Click the button
to watch the
assembly video



don't forget to recycle.

koala