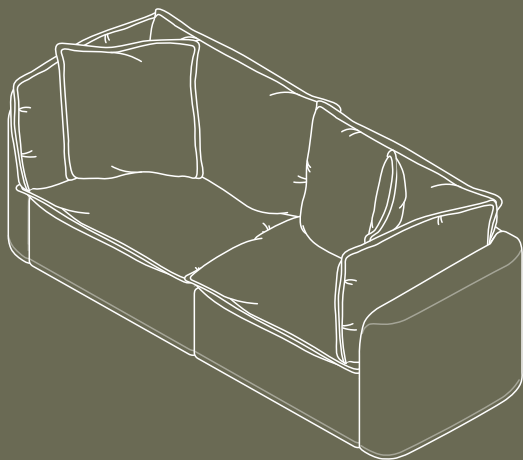


Tamarama Modular Sofa

Cover Assembly Instructions



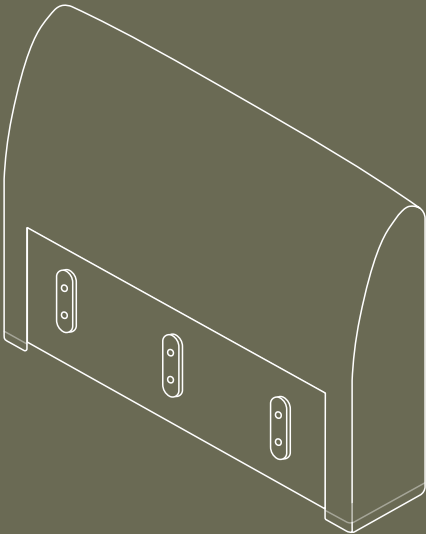
Koala

Table of Contents

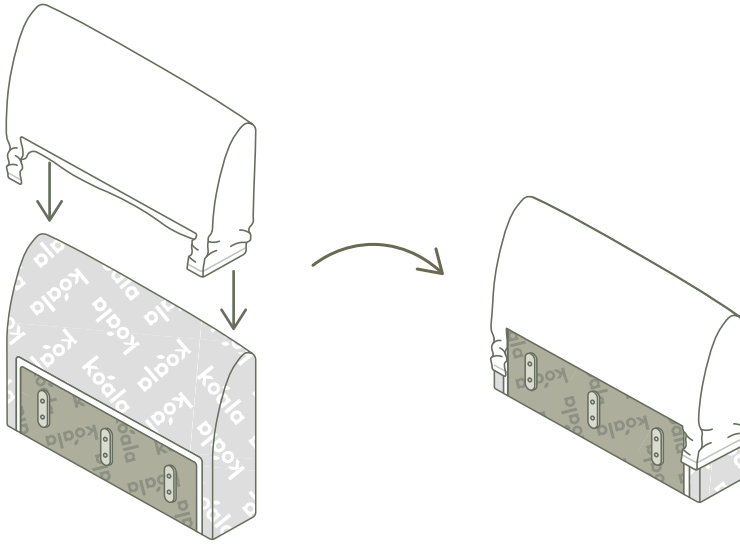
Backrest Module	3
Armrest Module	5
Seat Module	7
Chaise Module	9
Corner Module	11
Product Information and Care	13

Tamarama Modular Sofa

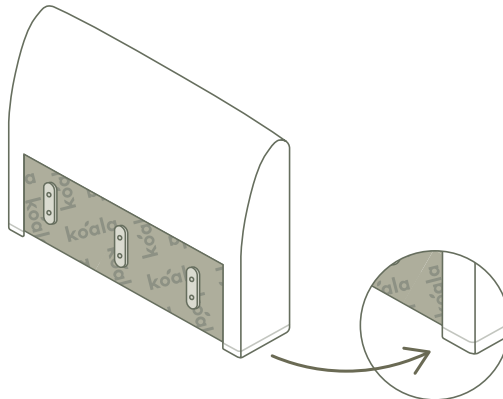
Backrest Module Cover Assembly



1. Slide both sides of the cover over the top of the backrest, keeping the edges aligned to the best of your ability. Align the velcro strip on the front edge of the cover with the velcro strip on the front edge of the backrest module.



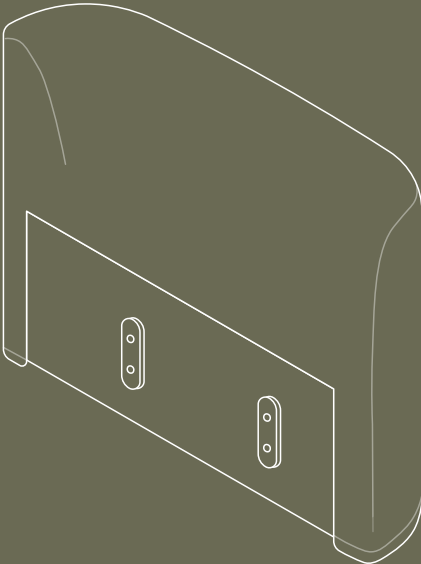
2. Continue smoothing the cover down the sides, until the velcro meets perfectly at the bottom edge.



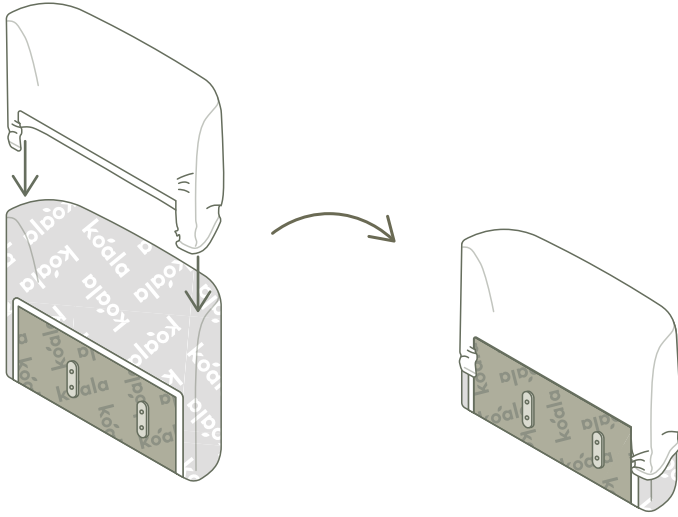
Friendly tip: Ensuring they meet perfectly at the bottom edge will guarantee a consistent, straight hem when finished.

Tamarama Modular Sofa

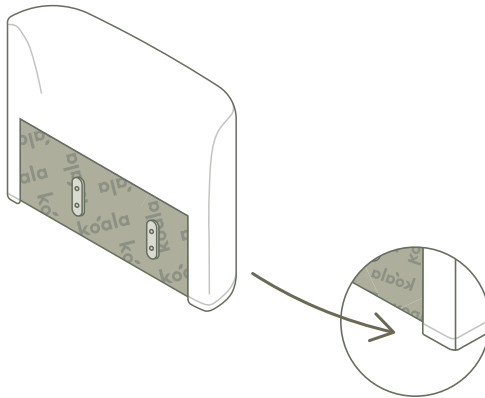
Armrest Module Cover Assembly



1. Slide both sides of the cover over the top of the armrest, keeping the edges aligned to the best of your ability. Align the velcro strip on the front edge of the cover with the velcro strip on the front edge of the armrest module.



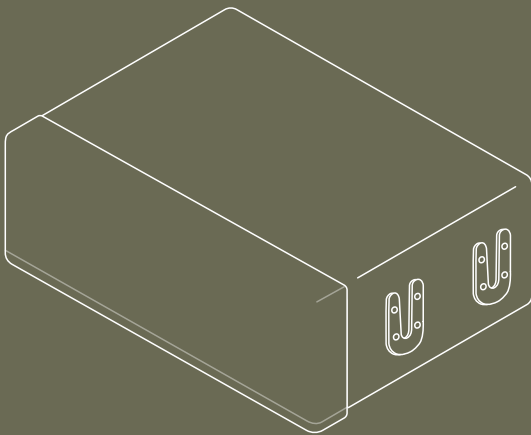
2. Continue smoothing the cover down the sides, until the velcro meets perfectly at the bottom edge.



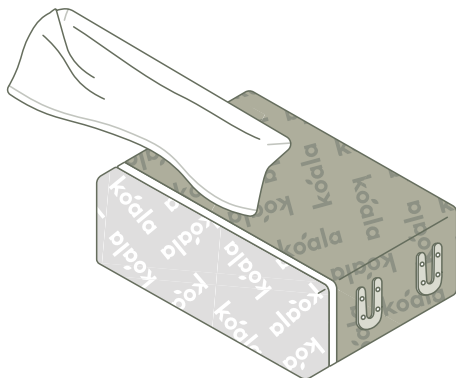
Friendly tip: Ensuring they meet perfectly at the bottom edge will guarantee a consistent, straight hem when finished.

Tamarama Modular Sofa

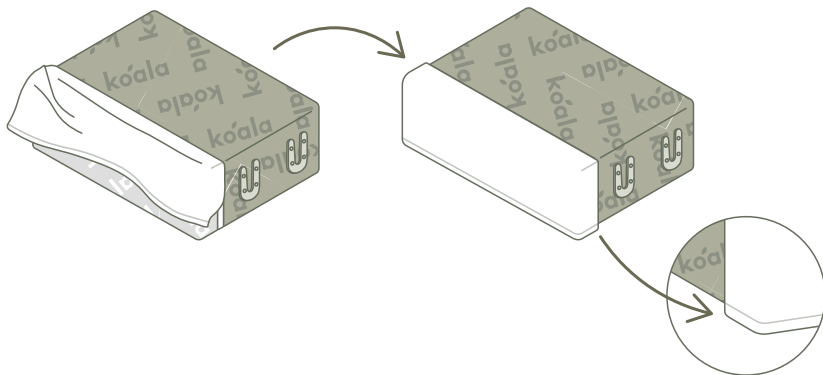
Seat Module Cover Assembly



1. Align the velcro strip on the top edge of the cover with the velcro strip on the top edge of the seat module. Secure from the top, smoothing to the edges, ensuring the corners align neatly.



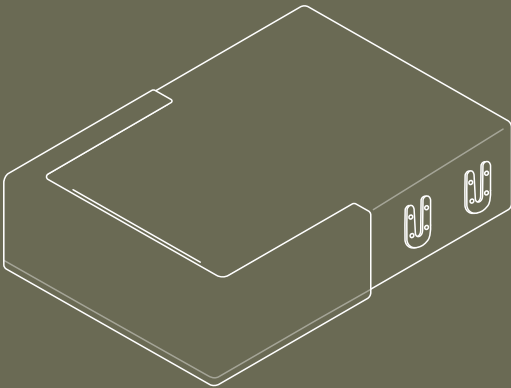
2. Align the velcro strip on the top edge of the cover with the velcro strip on the top edge of the seat module. Secure from the top, smoothing to the edges, ensuring the corners align neatly.



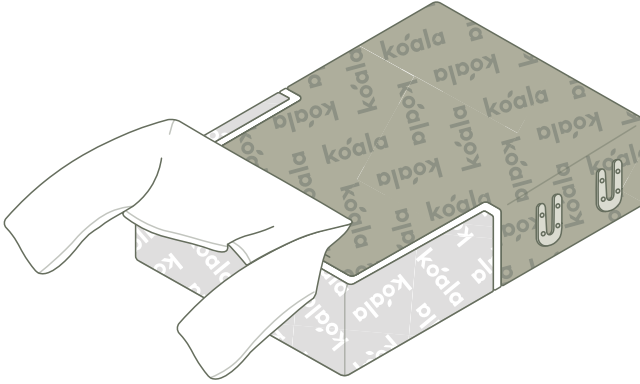
Friendly tip: Ensuring they meet perfectly at the bottom edge will guarantee a consistent, straight hem when finished.

Tamarama Modular Sofa

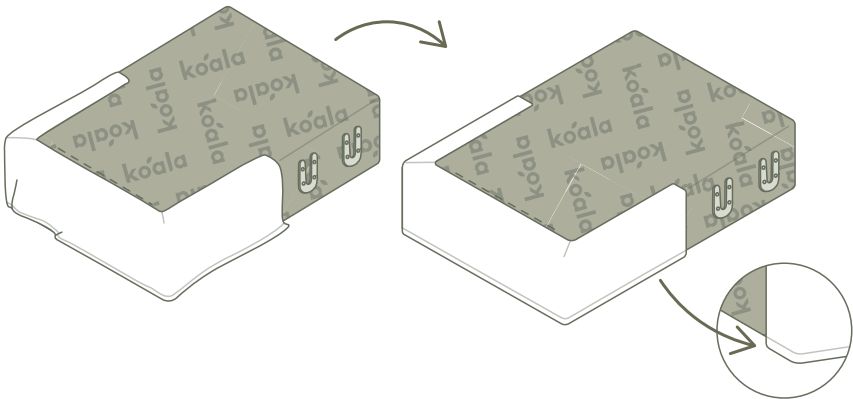
Chaise Module Cover Assembly



1. Align the velcro strip on the top edge of the cover with the velcro strip on the top edge of the chaise module. Secure from the top, smoothing to the edges, ensuring the corners align neatly.



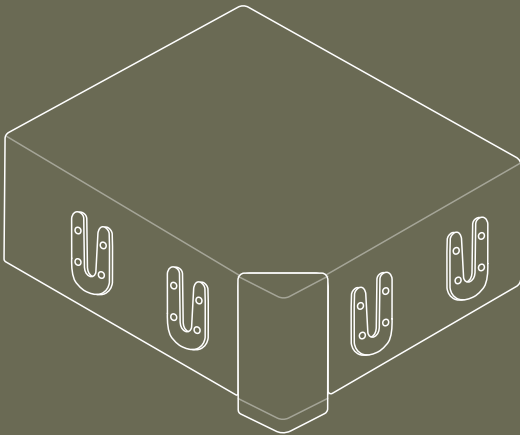
2. Repeat step 1 for the remaining sides of the cover. Continue smoothing the cover down the sides, until the velcro meets perfectly at the bottom edge.



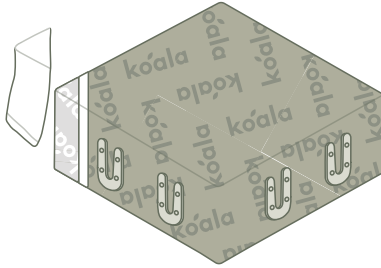
Friendly tip: Ensuring they meet perfectly at the bottom edge will guarantee a consistent, straight hem when finished.

Tamarama Modular Sofa

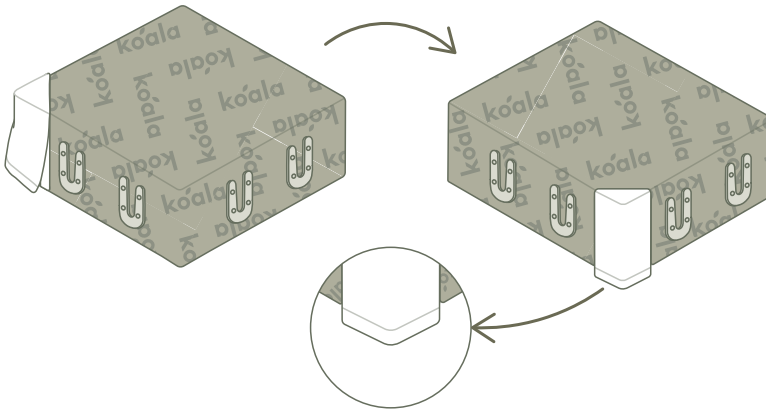
Corner Module Cover Assembly



1. Align the velcro strip on the top edge of the cover with the velcro strip on the top edge of the corner module. Secure from the top, smoothing to the edges, ensuring the corners align neatly.



2. Continue smoothing the cover down the sides, until the velcro meets perfectly at the bottom edge.



Friendly tip: Ensuring they meet perfectly at the bottom edge will guarantee a consistent, straight hem when finished.

Product Information and Care

LINING FABRIC

Regular Care (Weekly)

- Vacuum regularly using low suction.
- Protect from direct sunlight.

Spot Cleaning

- Remove any spills immediately by gently blotting any liquid with a clean cloth.
- Scoop up any solids before blotting the remaining liquid.
- Use a mild detergent to gently remove any loose soilage.
- Do not scrub with a sti brush.
- Use a clean cloth to blot out any excess liquid.
- Avoid over wetting as this may result in a water mark.
- Allow the fabric to air dry in a well ventilated area away from direct sunlight.

PRETEST THE CLEANING METHOD ON A HIDDEN AREA OF THE SOFA. IF CHANGE IN COLOUR, OR TRANSFER DO NOT CONTINUE.

PILLING

Pilling can occur occasionally as a result of normal daily wear and should not be considered a fault. Fibre pills can be removed with a battery operated pilling tool, available from most haberdashery stores.

REMOVABLE COVERS

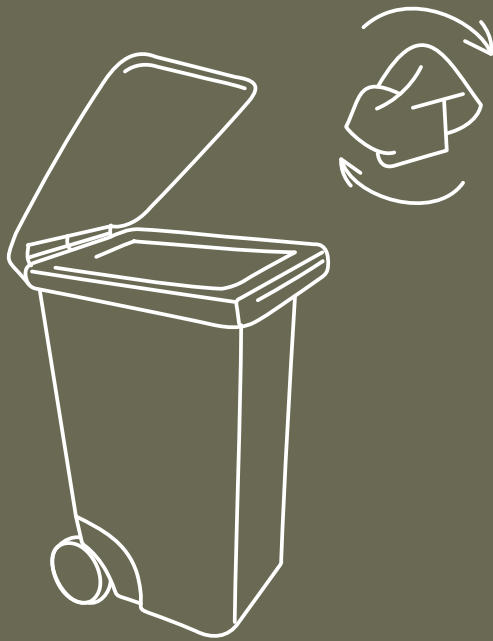
For correct care of the removable covers refer to the care label inside covers for additional cleaning instructions.

WARNING: CARELESS USE OF CIGARETTES AND MATCHES COULD SET FIRE TO THIS PRODUCT.

- Keep furniture a safe distance away from open flames and strong sources of heat (e.g., heaters, fireplaces, radiators, wall or floor vents). If left too close this may create a fire hazard or damage furniture, including internal frames and other components.
- Do not modify or change any components within this product without specific advice from Koala. This will void your warranty and may cause instability, damage or collapsing of the frame, resulting in injury.
- Do not allow children to crawl inside the internal cavity of the sofa (under cushions or inside the base). This may cause an entrapment or suffocation hazard.

CAUTION

- Do not stand or jump on seat cushions, backrests, or arms. This may cause instability, damage or collapsing of the frame, resulting in injury. This unit is designed for seating or sleeping use only.
- Do not drag this furniture. Always lift the furniture from the base when moving. Dragging can break the legs or damage the frame integrity. Use two or more people to move this item to avoid injury.
- Periodically check (every 6 months) that all legs and Gumnuts are tight and secure. Do not use the product if parts are missing, damaged, or worn. Contact Koala for assistance or replacement parts.



Don't forget to recycle.

kóala