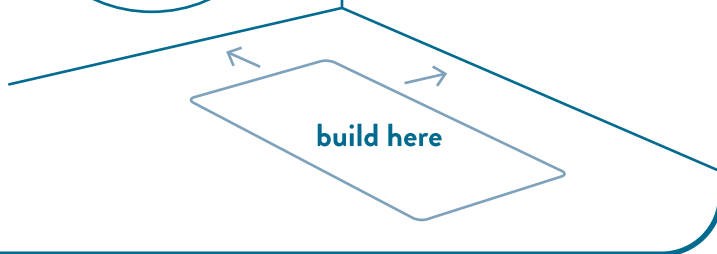
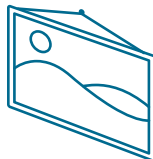
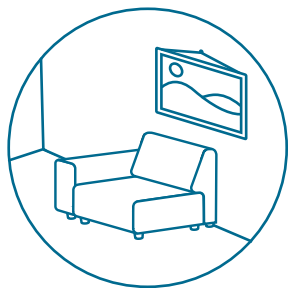


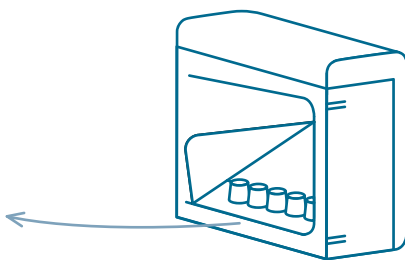
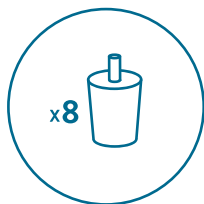
**1.5 SEATER WITH ARMS  
MODERN SOFA**

**Ko'da**

1.

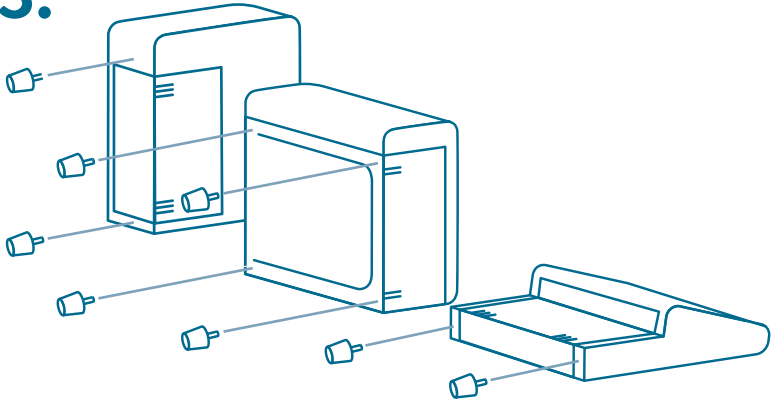


2.



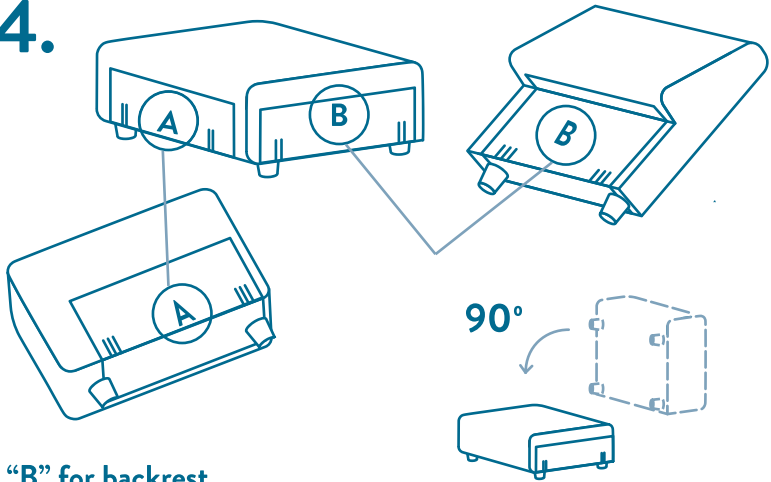
unscrew all legs from inside zip pocket

3.



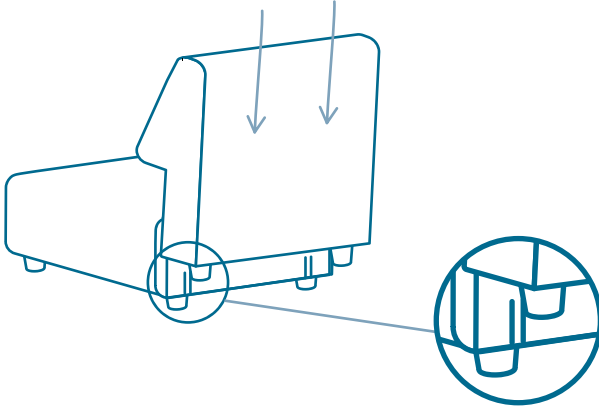
screw legs into all parts

4.



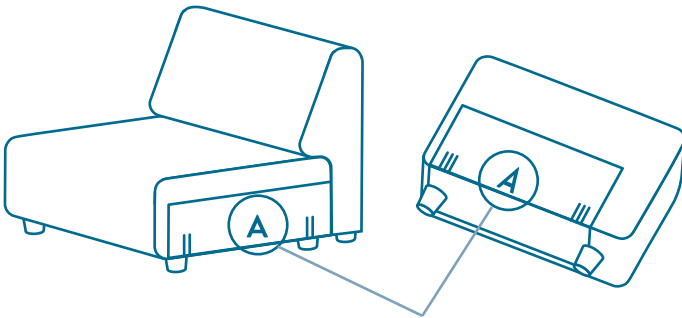
“B” for backrest

5.



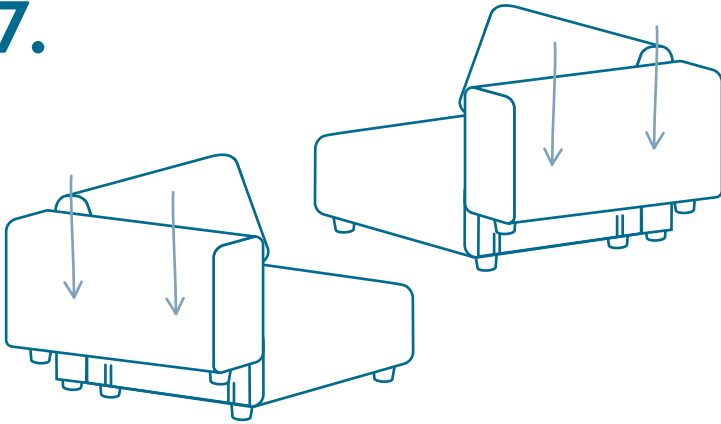
align connections and push down

6.



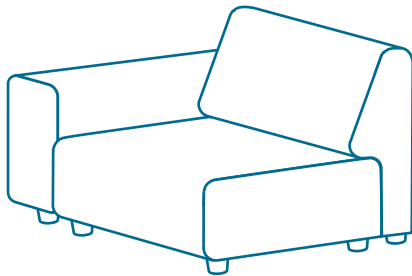
“A” for arm

**7.**



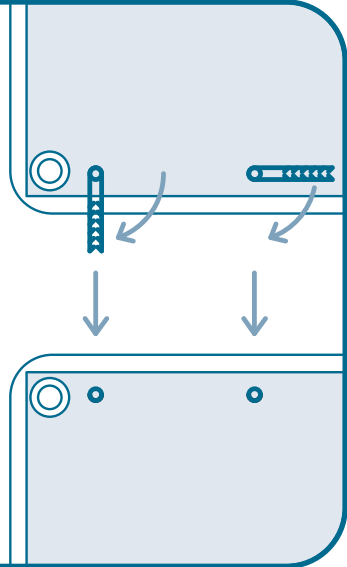
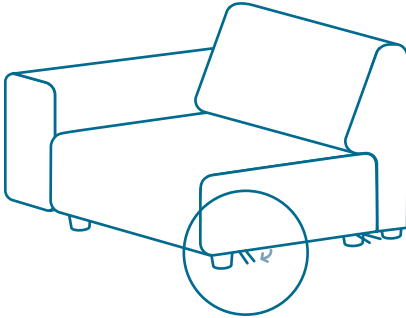
**align connectors and push down**

**8.**



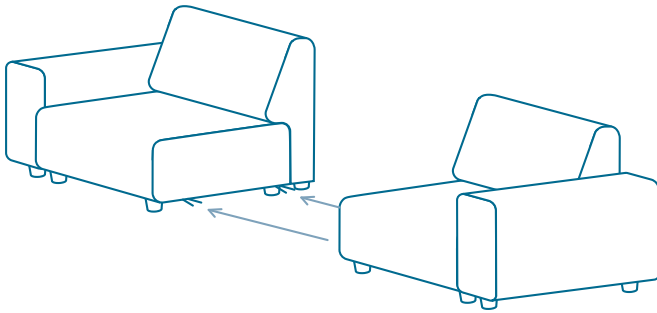
**enjoy now or add to your collection**

9.



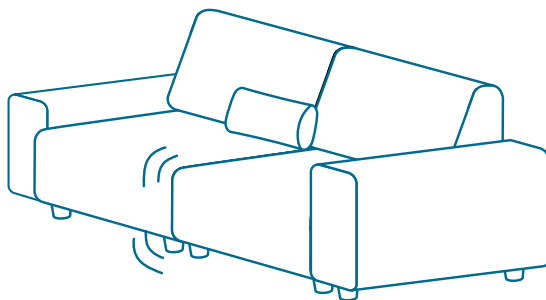
rotate out frame connector

10.

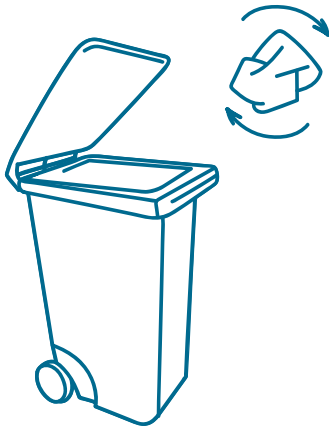


connect other side

**11.**



listen for “click”



**don't forget to recycle**

**ko'ala**