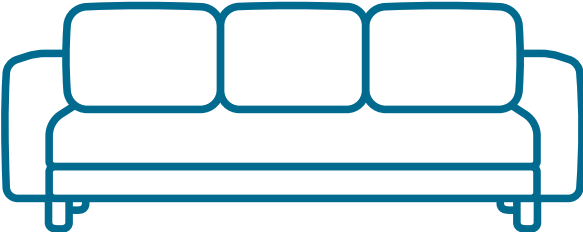


Feb 2023

Click the button
to watch the
assembly video

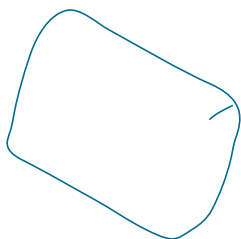


**2 SEATER AND 3 SEATER
LOUNGING SOFA**

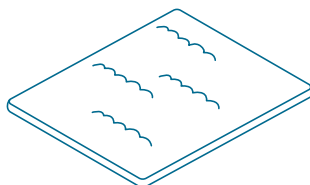
Ko'da

What's in the box*:

*Not to scale



x2 2-Seater
x3 3-Seater



x2 2-Seater
x3 3-Seater

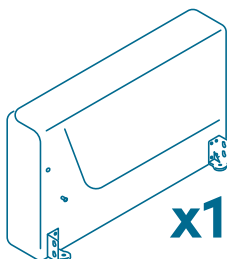


x2
104-9343

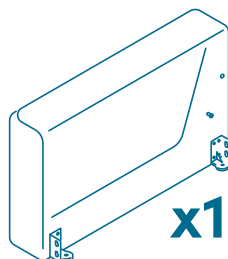


x4 2-Seater
104-9342

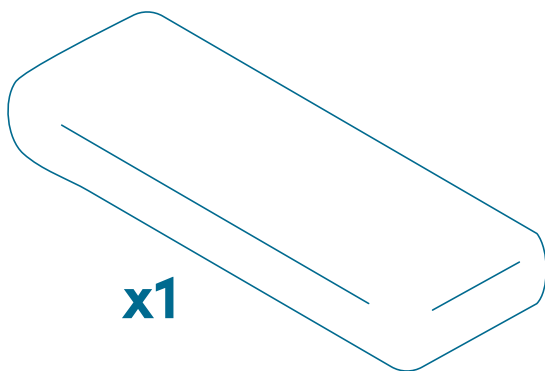
x5 3-Seater
104-9342



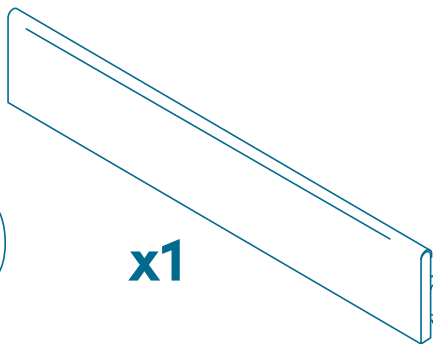
x1



x1



x1

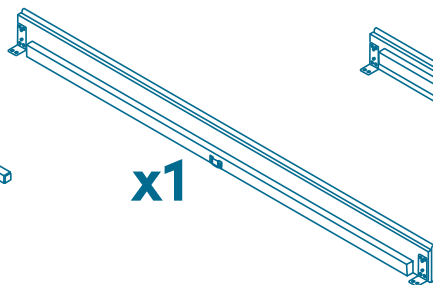


x1

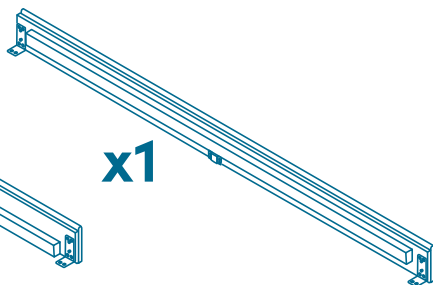


x1

3-Seater Only

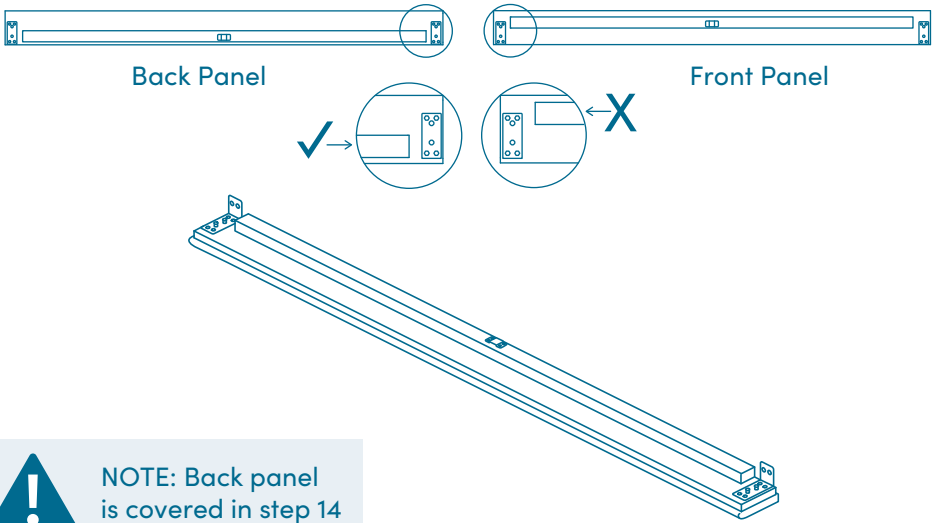


x1

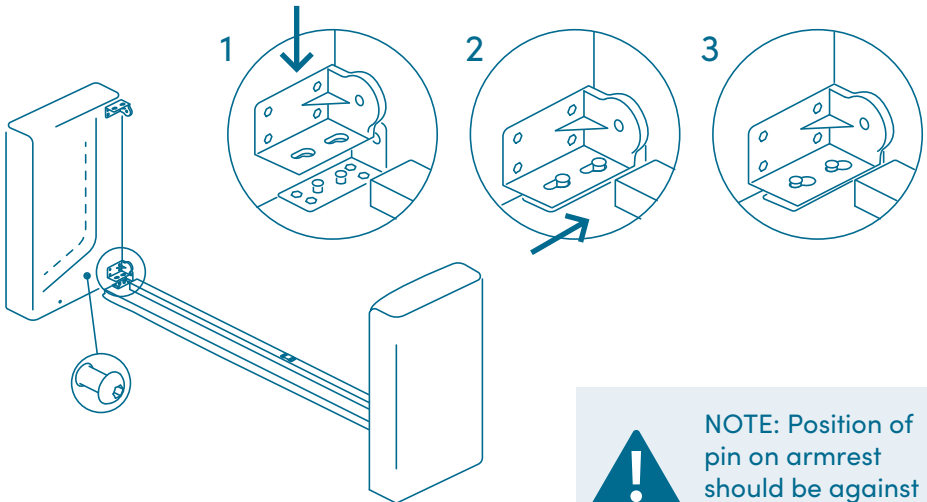


x1

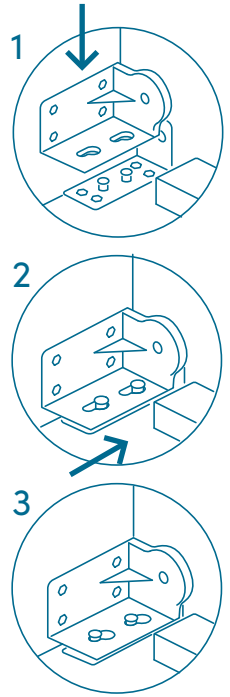
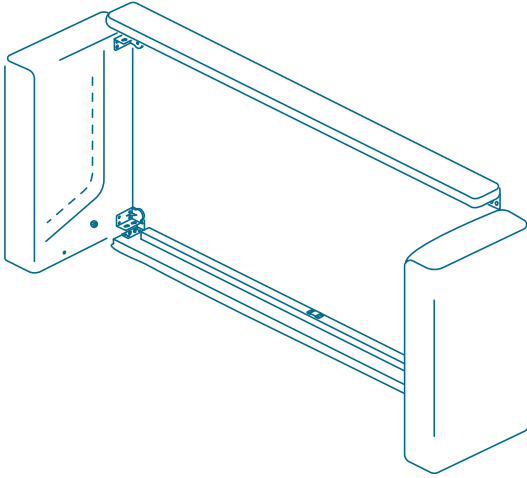
1. Lay the back panel down with the corner connections facing up.



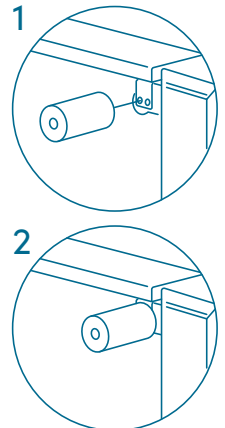
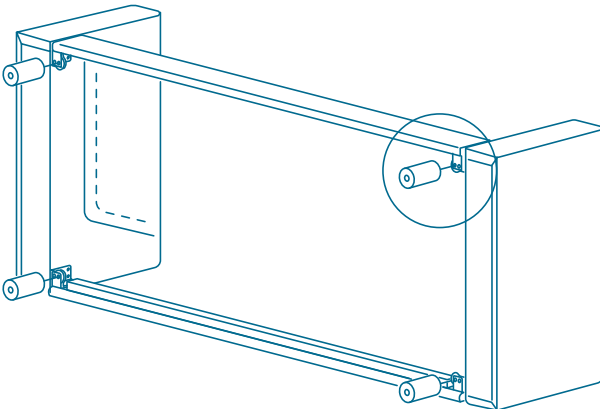
2. One armrest at a time, connect back panel to armrests using the corner connections.



3. Connect front panel to armrests using the corner connection.



4. Firmly screw legs into corner connection.

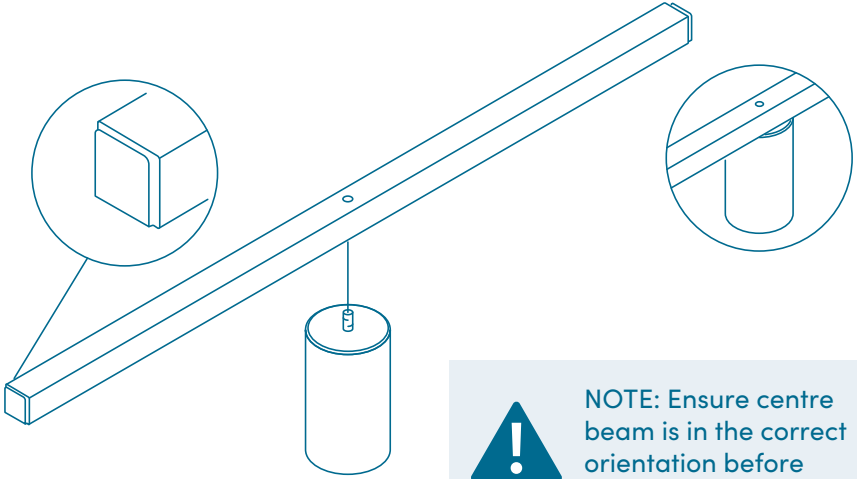


5. Firmly screw leg into centre beam.



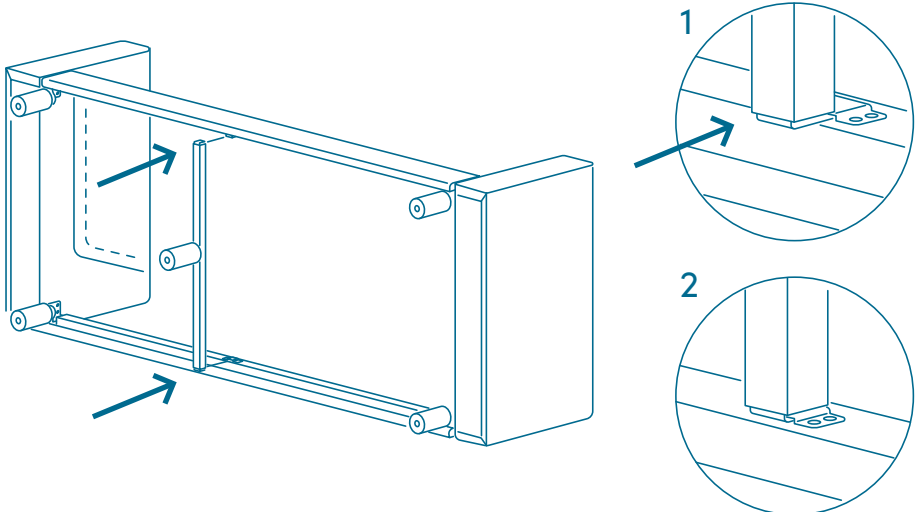
HEADS UP!

Step 5 and step 6 are not required for the 2-seater Lounging Sofa.

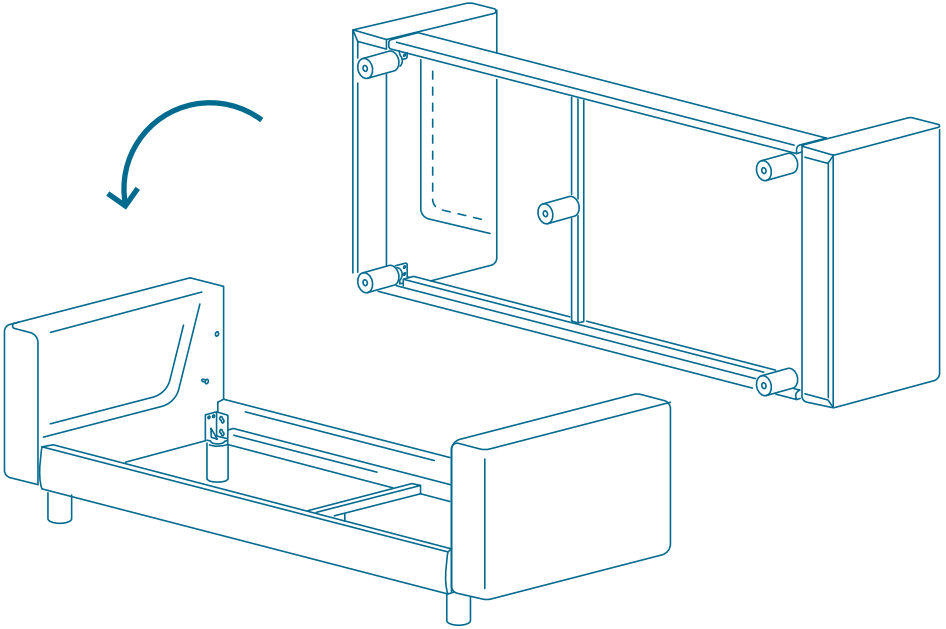


NOTE: Ensure centre beam is in the correct orientation before screwing leg in

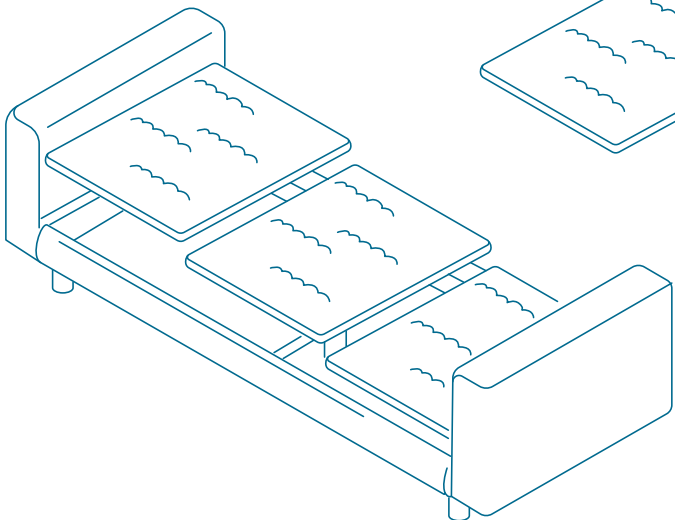
6. Slide centre beam into receivers.



7. Hold front panel and carefully lower sofa onto its legs.



8. Place seat panels into frame.

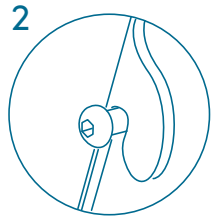
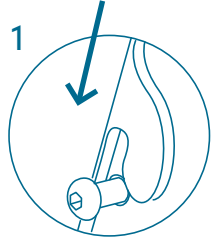
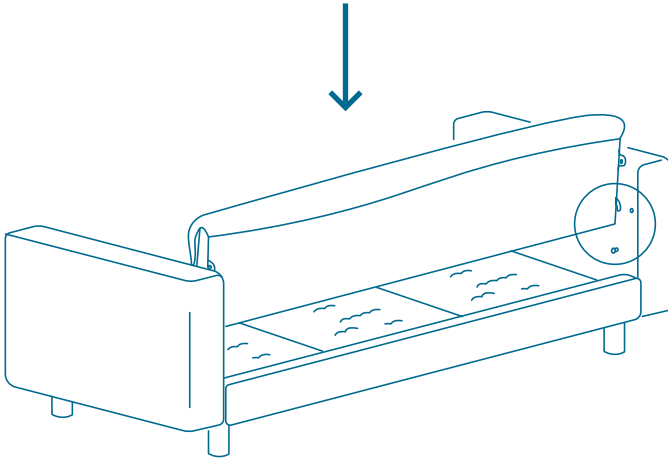


x2
2 Seater

x3
3 Seater

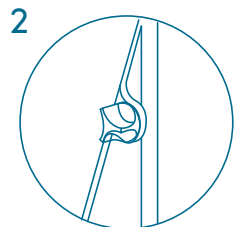
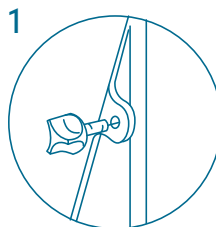
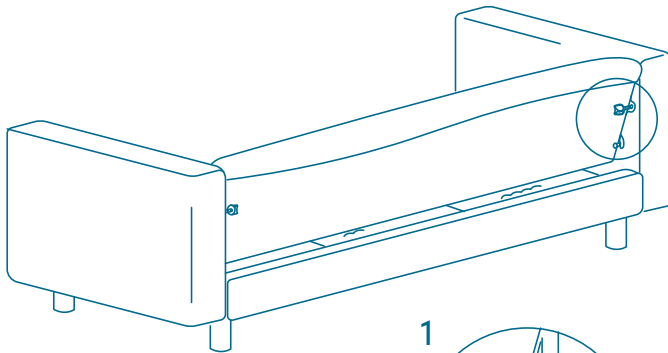
9.

Simultaneously align backrest hooks into armrest bolts.

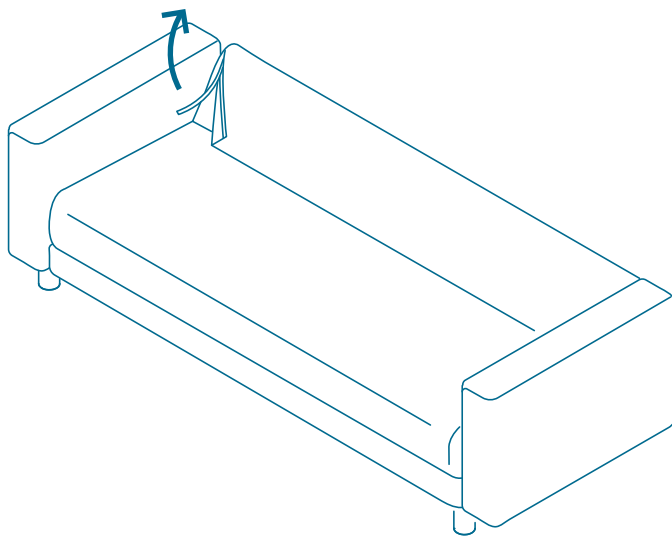


10.

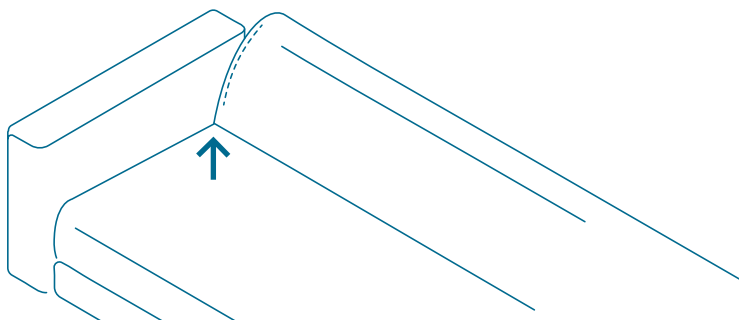
Align holes and screw in gumnuts.



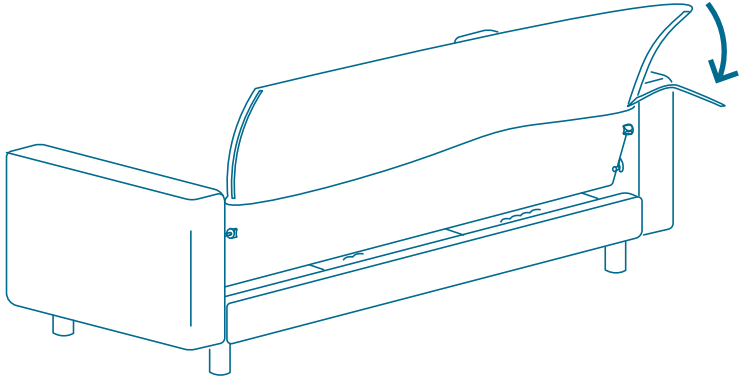
- 11.** Remove front velcro protection from backrest cover.



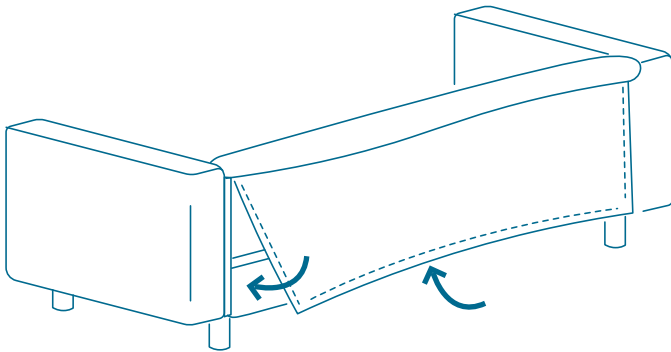
-
- 12.** Tuck in and align backrest velcro with armrest velcro.



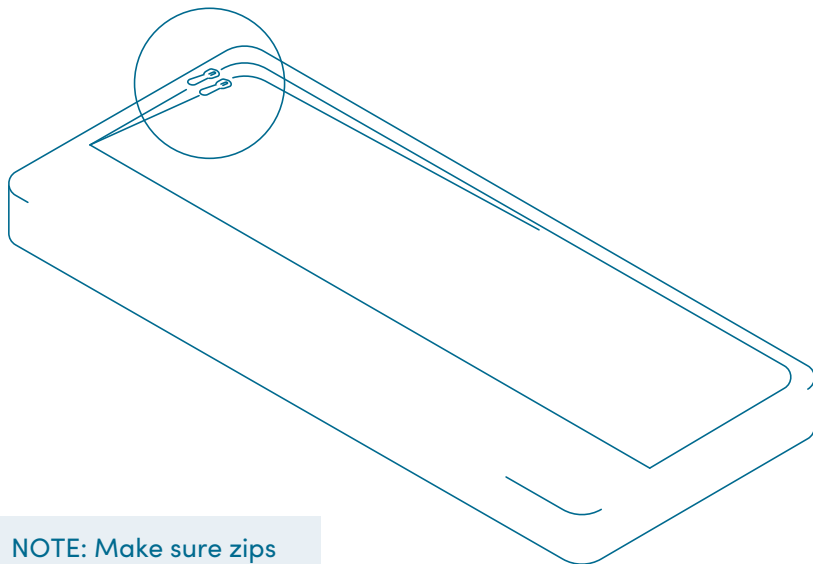
13. Remove rear velcro protection from backrest cover.



14. Secure velcro into back corners and underneath sofa base.

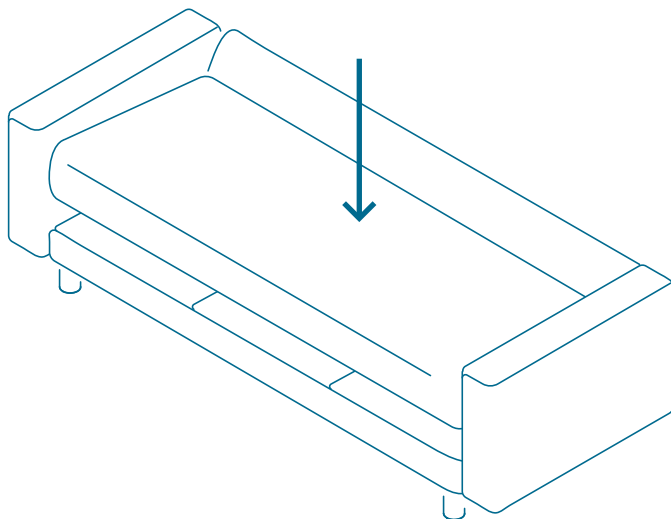


15. Cover seat cushion with seat cushion cover.

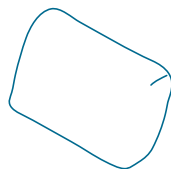
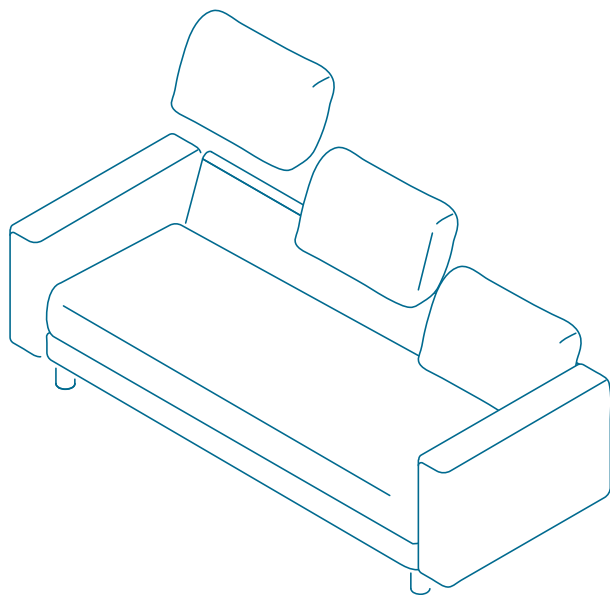


NOTE: Make sure zips are aligned to correctly orientate the cover and the cushion

16. Add the seat cushion to the base.



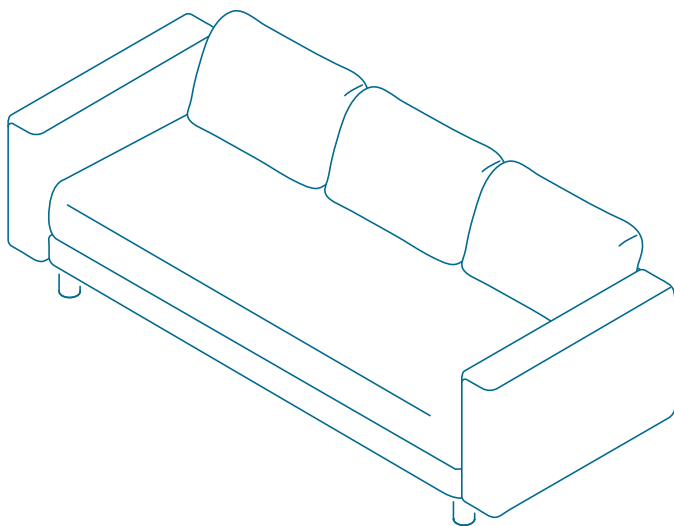
17. Place backrest cushions onto the sofa.



x2 2-Seater

x3 3-Seater

18. Enjoy!



Product Information and Care

FABRIC

Regular Care (Weekly)

- Vacuum regularly using low suction.
- Protect from direct sunlight.

Cleaning

- Remove any spills immediately by gently blotting any liquid stands with a clean cloth.
- Scoop any sauces up before blotting the remaining sauce.
- Use a mild detergent to gently remove any loose soilage.
- Do not scrub with a stiff brush.
- Use a clean cloth to blot out any excess liquid.
- Avoid over wetting as this may result in a water mark.

Caution: Pre-test the cleaning method on a hidden area of the sofa. If change in colour, or transfer do not continue.

Pilling

- Pilling can occur occasionally as a result of normal daily wear and should not be considered a fault.
- Fibre pills can be removed with a battery operated pilling tool, available from most haberdashery stores.

Washing Covers

- Remove cover to wash.
- Cold machine wash only.
- Do not bleach or use chlorine.
- Do not soak, rub or wring.
- Do not tumble dry.
- Line dry in shade.
- Do not iron.
- Refer to the care label for more information.

TIMBER

Regular Care (Weekly)

- Wipe down with a clean damp cloth.
- Protect from direct sunlight.

USING THE SOFA

Weight Capacity

- Sofa Weight Capacity: 120kg per seat