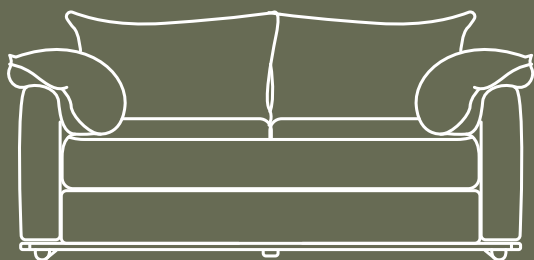


# Koala Sofa Bed

Click the button  
to watch the  
assembly video



# Koala

# What's in the box\*

\*Not to scale



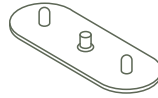
**x6**

Long Leg  
104-9250



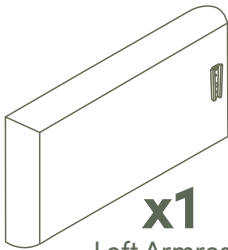
**x3 / x1**

Queen Double /  
Single Short Leg  
Short Leg  
104-9251



**x1**

Baseboard Connector  
104-9239



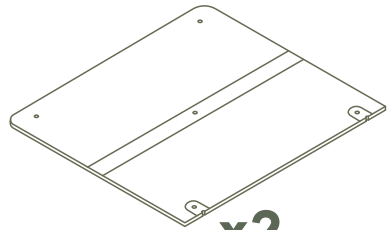
**x1**

Left Armrest



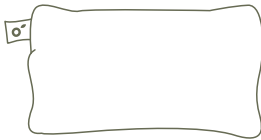
**x1**

Right Armrest



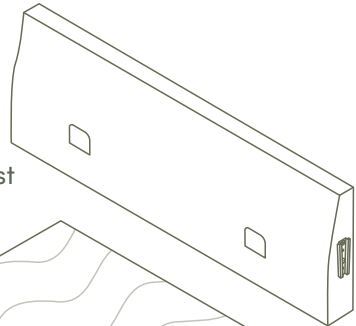
**x2**

Baseboard



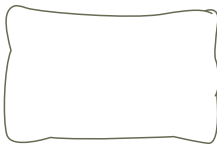
**x2/x1**

Queen Double/  
Single Backrest Cushion



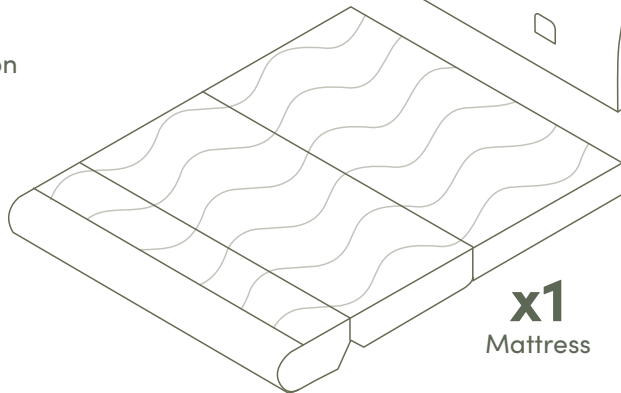
**x1**

Backrest



**x2**

Armrest Cushion



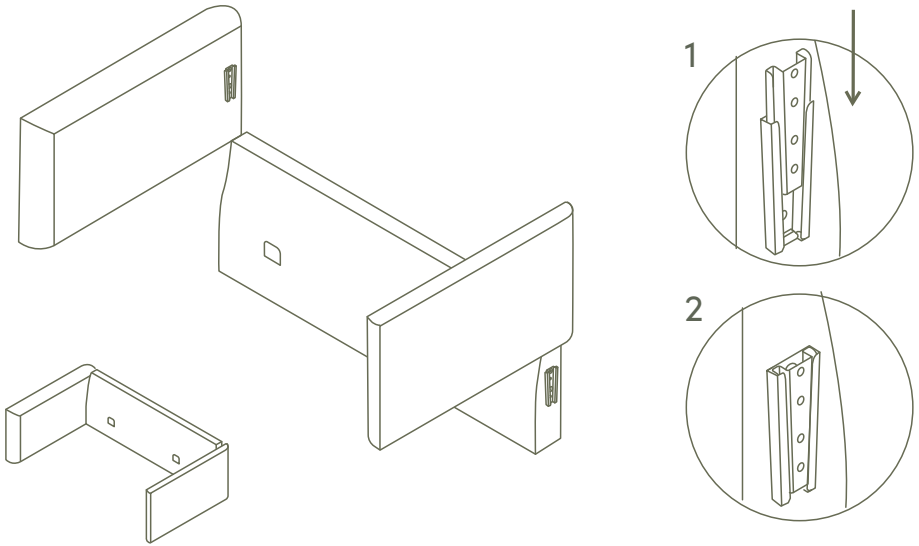
**x1**

Mattress

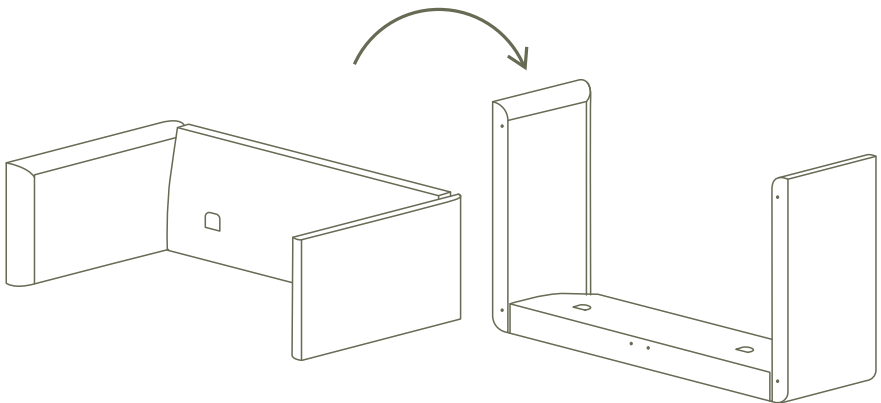


NOTE - Open the seat cushion box first.  
Due to compression, max comfort reached after 3-5 days.

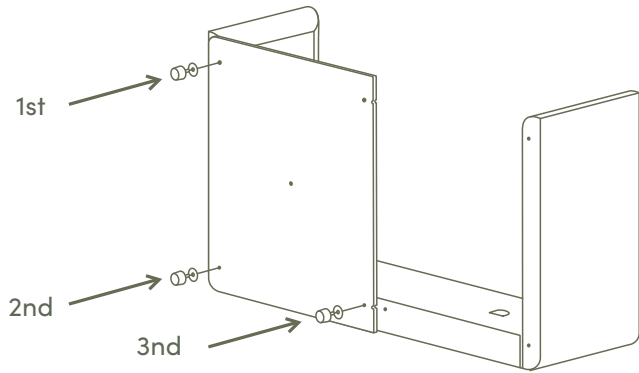
- 1.** Connect the two arms to the backrest using the wedge brackets.



- 2.** Ensure sofa bed is positioned away from walls and carefully rotate the sofa bed on its back.

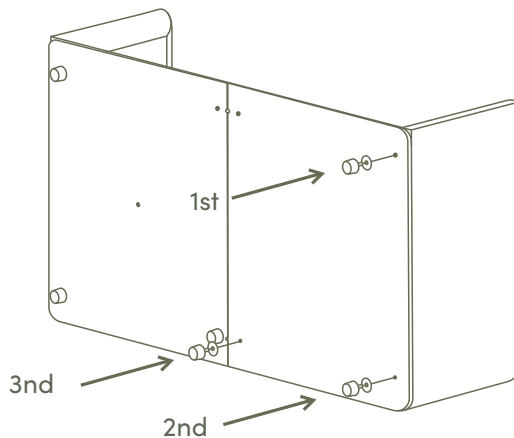


**3.** Screw baseboard with the velcro facing in, onto frame using the longer length thread legs in the order shown.



Use coloured stickers on armrest and backrest as alignment guide

**4.** Screw second baseboard with the velcro facing in, onto frame using the longer length thread legs in the order shown.



Use coloured stickers on armrest and backrest as alignment guide

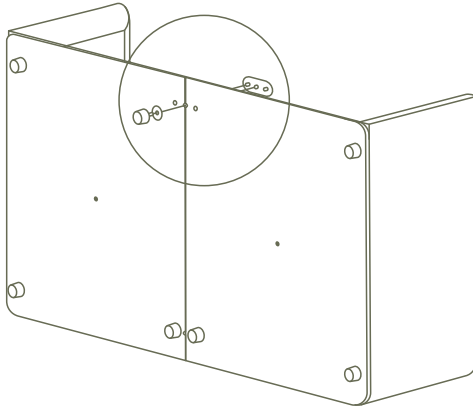
## 5. Screw in connector plate using the shorter length thread leg.



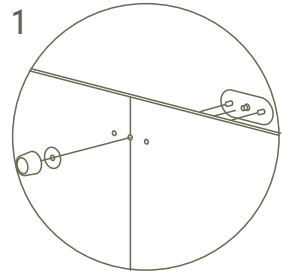
**x1**



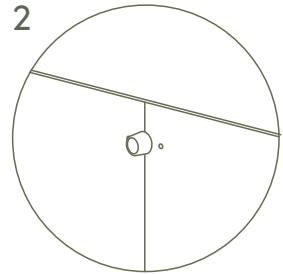
**x1**



1



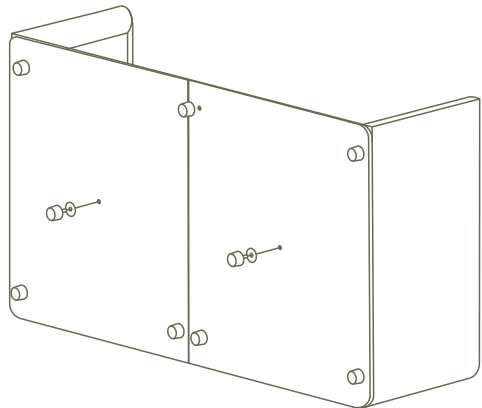
2



## 6. Screw shorter thread legs into baseboard.



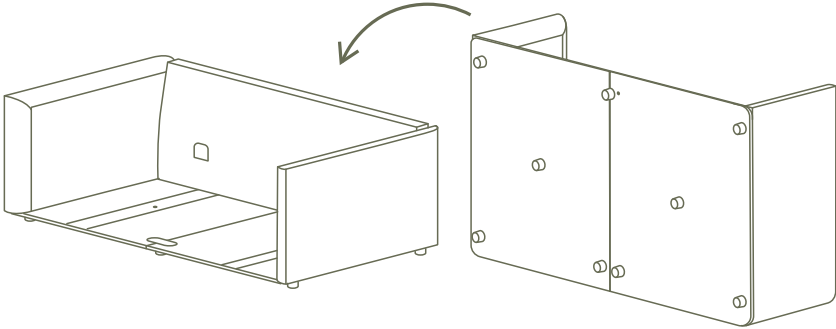
**x2**



**HEADS UP!**

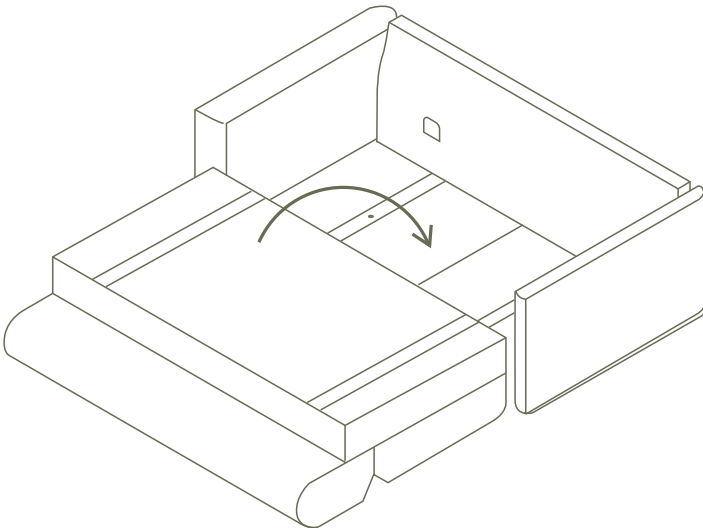
Your single Cushy Sofa Bed  
does not require middle legs!

**7.** Carefully lower the sofa bed on its legs.

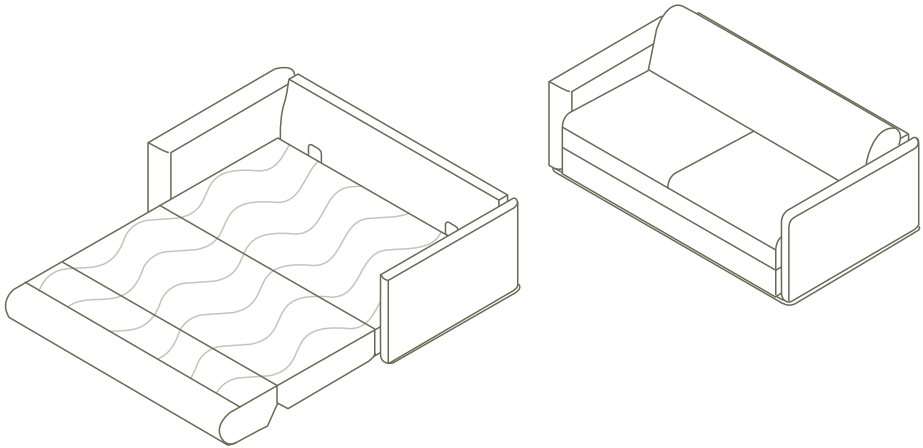


---

**8.** Attach mattress to frame using velcro

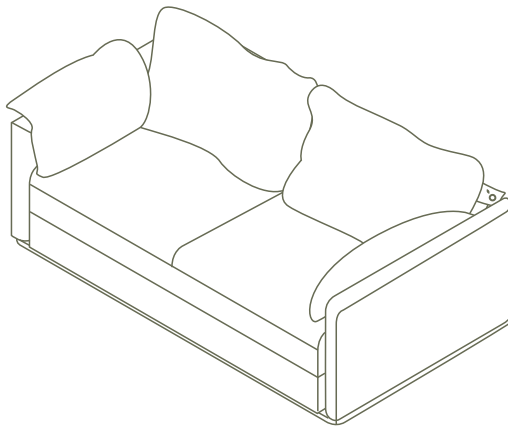


**9.** Fold up the mattress to convert the sofa bed into its seating position.



---

**10.** Add your backrest and armrest cushions.



Ensure backrest cushion tag is on outside

## Product Information and Care

### FABRIC

#### Regular care (weekly)

- Vacuum regularly using low suction.
- Protect from direct sunlight.

#### Spot Cleaning

- Remove any spills immediately.
- Use a mild detergent to gently clean any stains.
- Do not scrub with a stiff brush.
- Use a clean cloth to blot out excess liquid.
- Avoid over wetting as this may result in a water mark.
- Allow the fabric to dry in a well ventilated area away from direct sunlight.

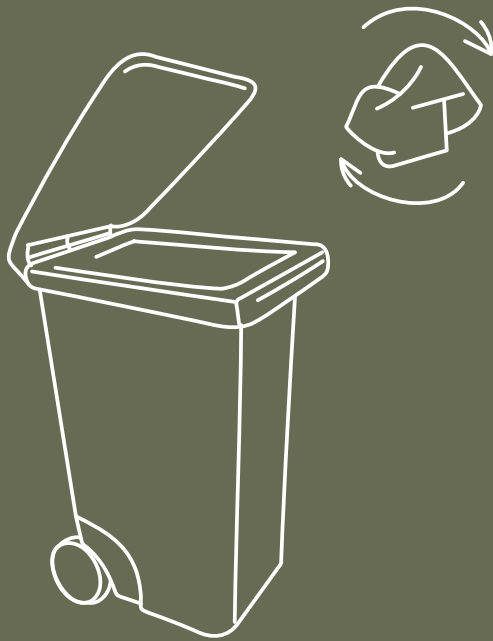
**NOTE:** PRETEST THE CLEANING METHOD ON HIDDEN AREA OF THE SOFA. IF CHANGE IN COLOUR, OR TRANSFER DO NOT CONTINUE.

### PILLING

- Pilling can occur occasionally as a result of normal daily wear and should not be considered a fault.
- Fiber pills can be carefully removed with a battery operated pilling tool, available from most haberdashery stores.

**WARNING:** CARELESS USE OF CIGARETTES AND MATCHES COULD SET FIRE TO THIS PRODUCT.





Don't forget to recycle.

**kóala**