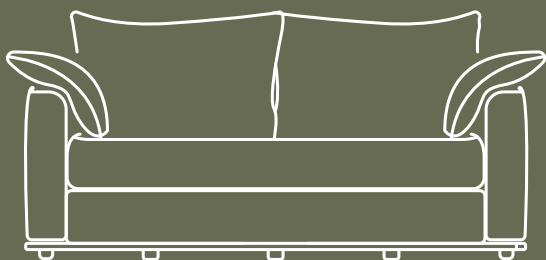


Koala
King Sofa Bed
FRAME

Click the button
to watch the
assembly video



koala

What's in the box*

*Not to scale

x2



Easier assembly with two people



x6

Long Leg
104-9250



x5

Short Leg
104-9251



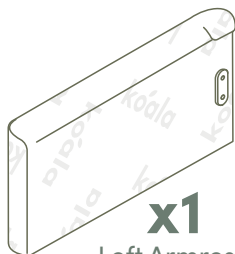
x1

Baseboard Connector
104-9239



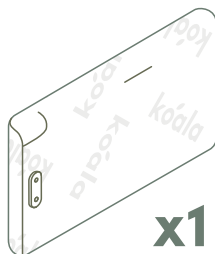
x2

Gumnut



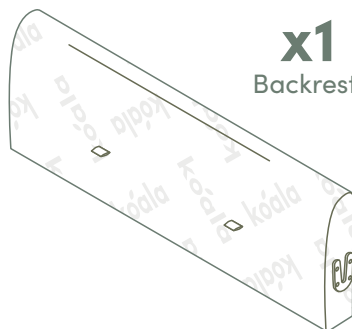
x1

Left Armrest



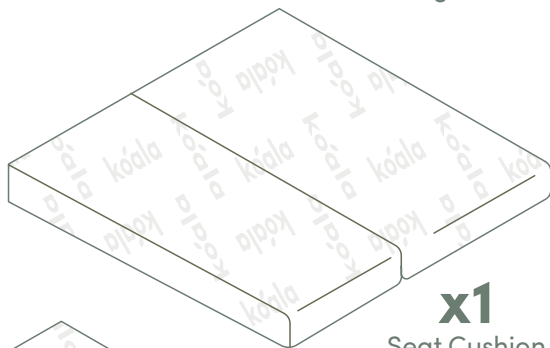
x1

Right Armrest



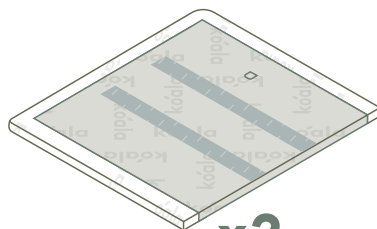
x1

Backrest



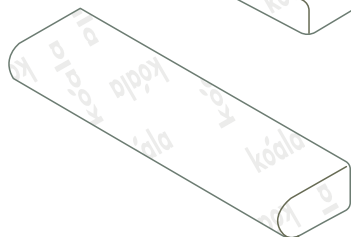
x1

Seat Cushion



x2

Baseboard



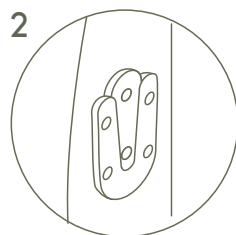
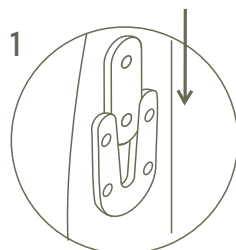
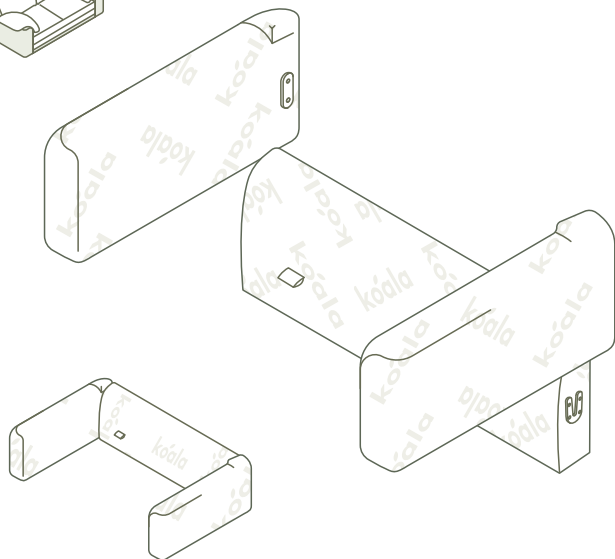
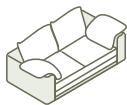
x1

Backrest Cushion

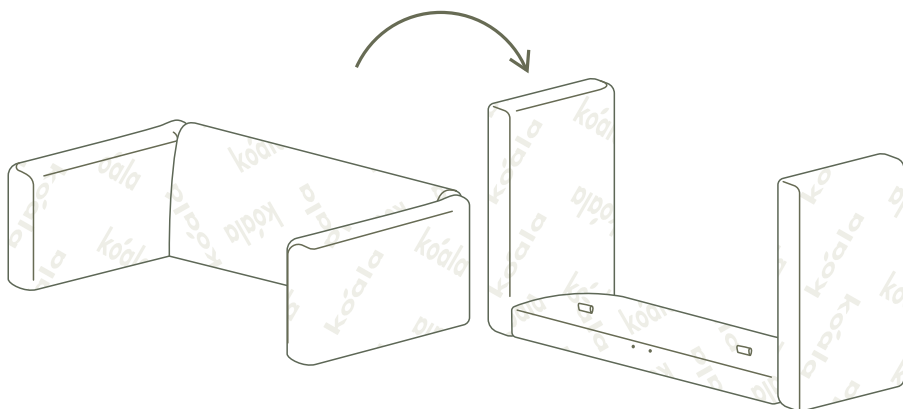


NOTE - Open the seat cushion box first.
Due to compression, max comfort reached after 3-5 days.

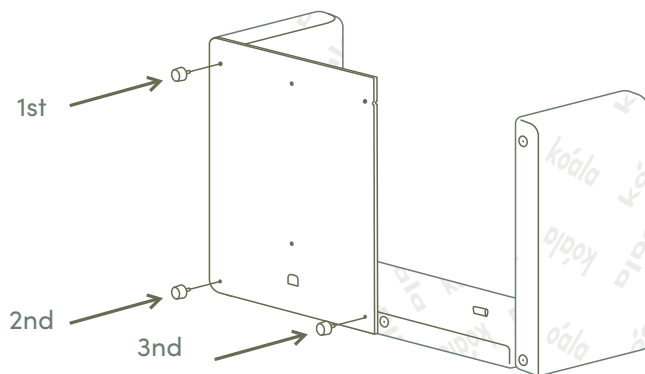
- 1.** Connect the two arms to the backrest using the wedge brackets.



- 2.** Ensure sofa bed is positioned away from walls and carefully rotate the sofa bed on its back.

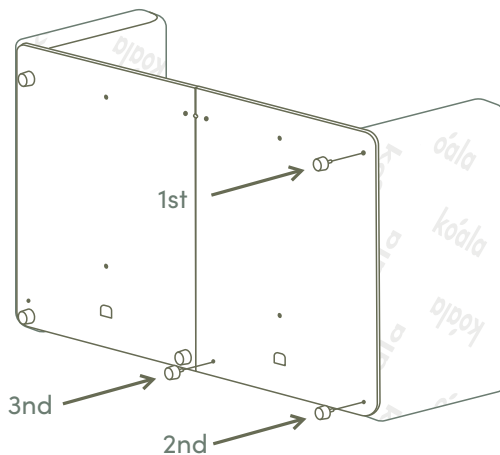


3. Screw baseboard with green lining up, onto frame using long thread legs in the order shown.



Use coloured stickers on armrest and backrest as alignment guide

4. Screw second baseboard with the velcro facing in, onto frame using the longer length thread legs in the order shown.



Use coloured stickers on armrest and backrest as alignment guide

5.

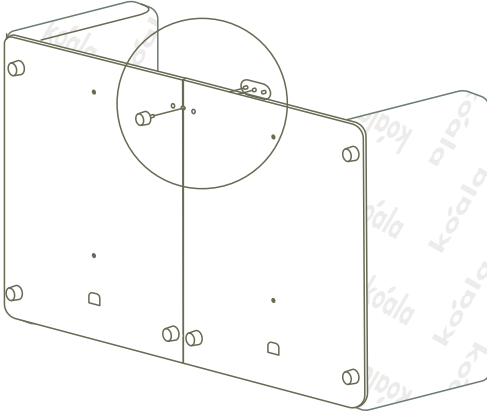
Screw in connector plate using the shorter thread leg.



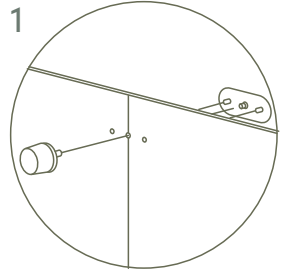
x1



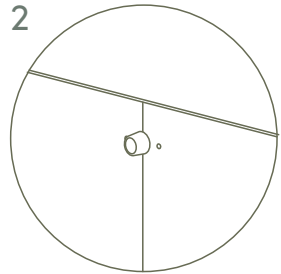
x1



1



2

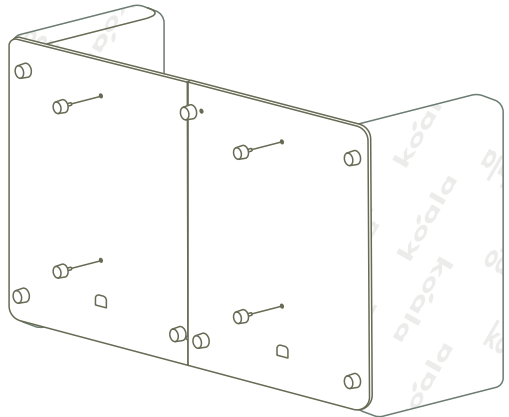


6.

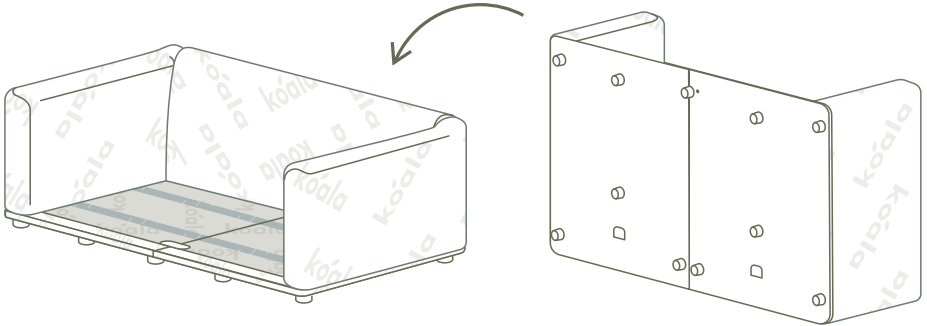
Screw shorter thread legs into baseboard.



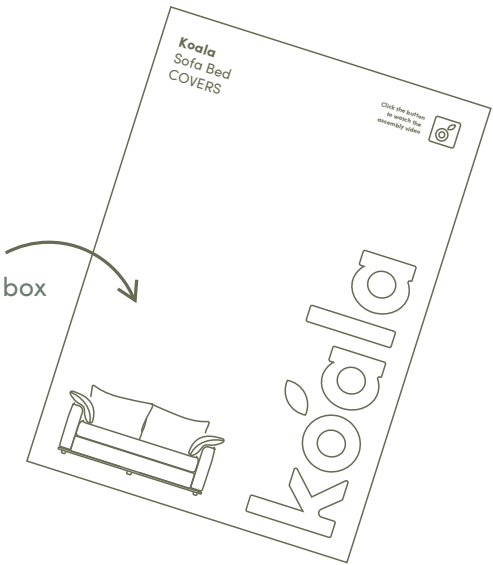
x4

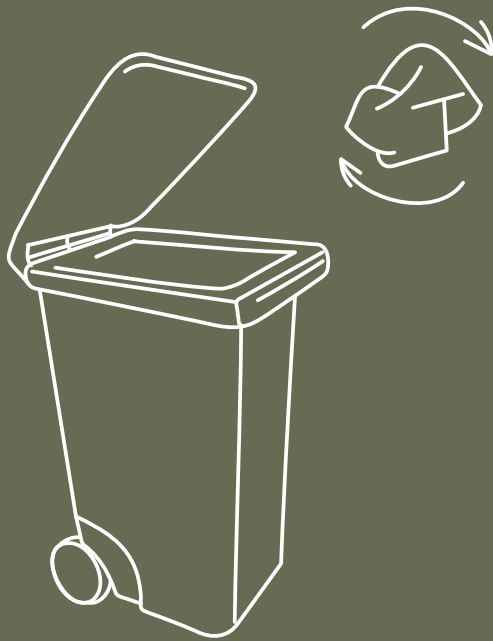


7. Carefully lower the sofa bed on its legs.



Cover instructions located in the cover box





Don't forget to recycle.

kóala