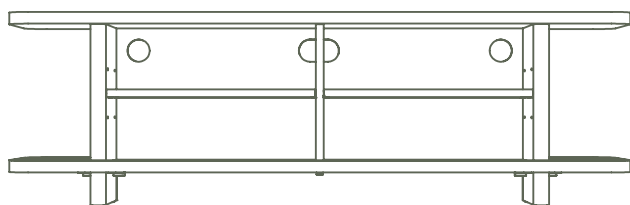


April 2024

Click the button
to watch the
assembly video



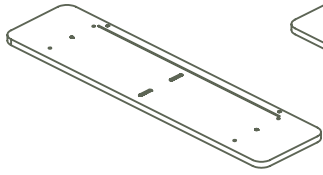
KIRRIBILLI TV UNIT

Ko'da

What's in the box*:

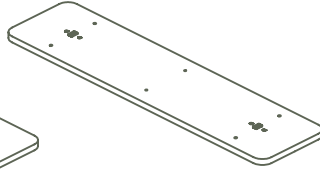
*Not to scale

Click the button
to watch the
assembly video



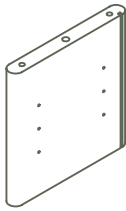
Top panel

x1



Bottom panel

x1



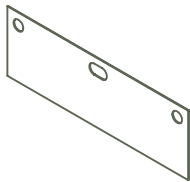
Side panel

x2



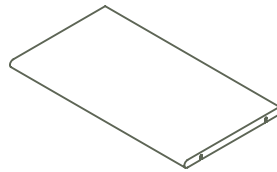
Middle shelf divider

x1



Back panel

x1



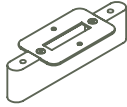
Shelf

x2

What's in the box*:

*Not to scale

Click the button
to watch the
assembly video



Legs
x2



Support rod
x2



Lever bolt
x2



Bottom panel
Gumnut
x2



Shelf support
pin
x8



Wall lanyard
Gumnut
x2



Small dowel
x4



Large dowel
x4



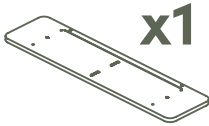
Wall lanyard
x2



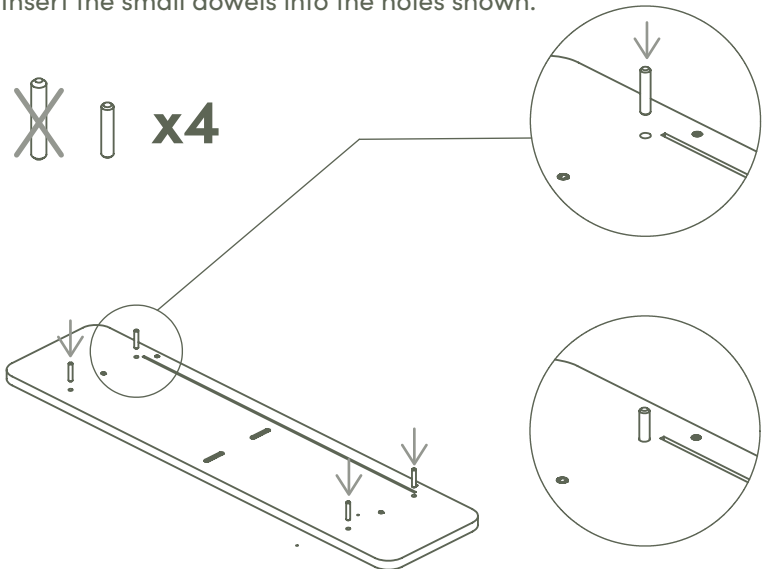
Large gumnut
x4

1. Place the top panel face down on a flat surface.

Click the button to watch the assembly video



2. Insert the small dowels into the holes shown.

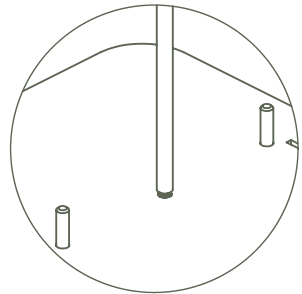
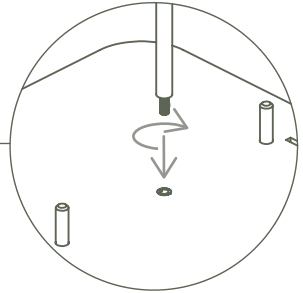
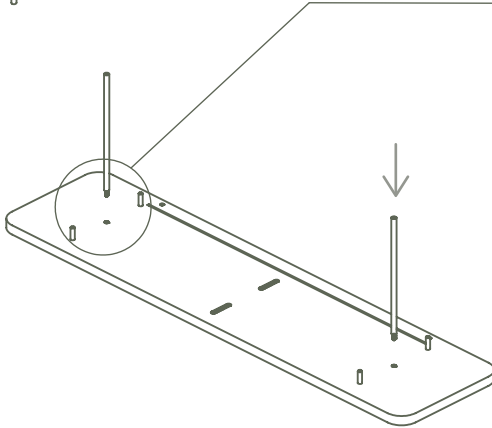


3. Screw the support rods into the top panel.

Click the button to watch the assembly video



 **x2**

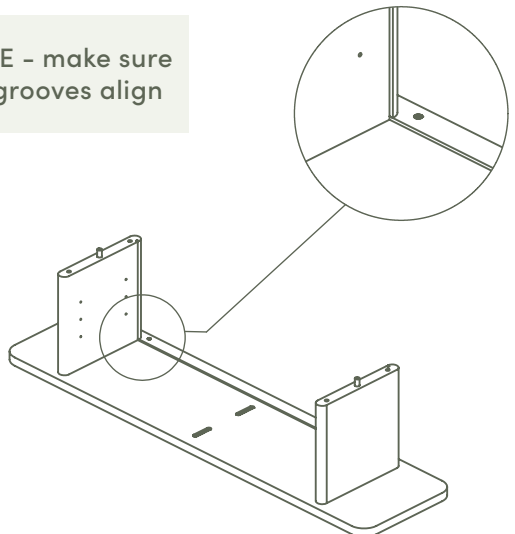
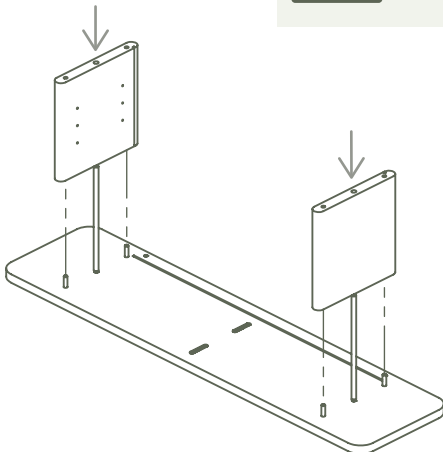


4. Slide the side panels over the support rods.

 **x2**

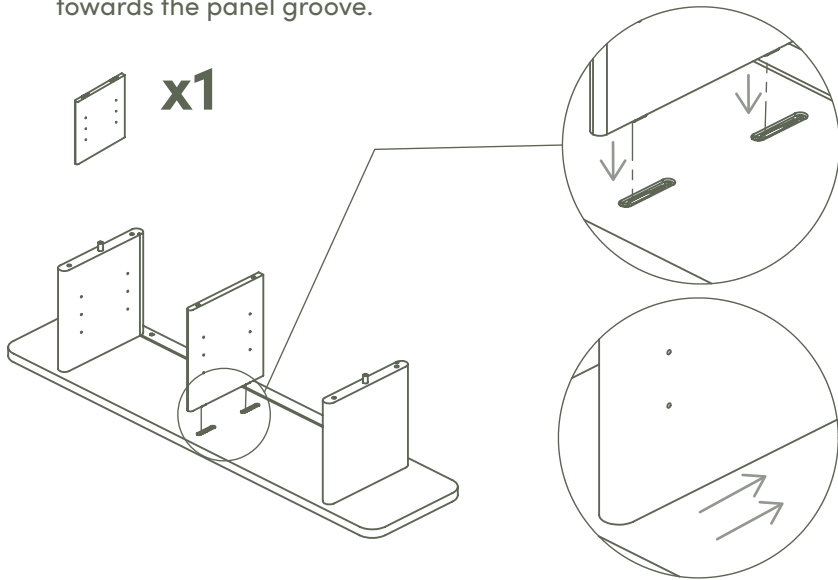


NOTE - make sure the grooves align

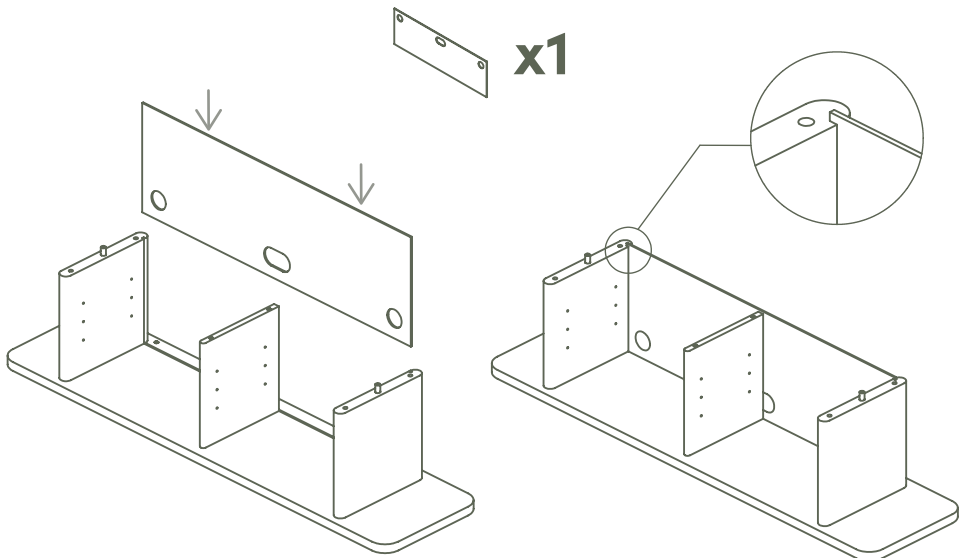


- 5.** Insert the middle shelf divider by aligning the panel connectors. to lock it in, push the divider down and towards the panel groove.

Click the button
to watch the
assembly video

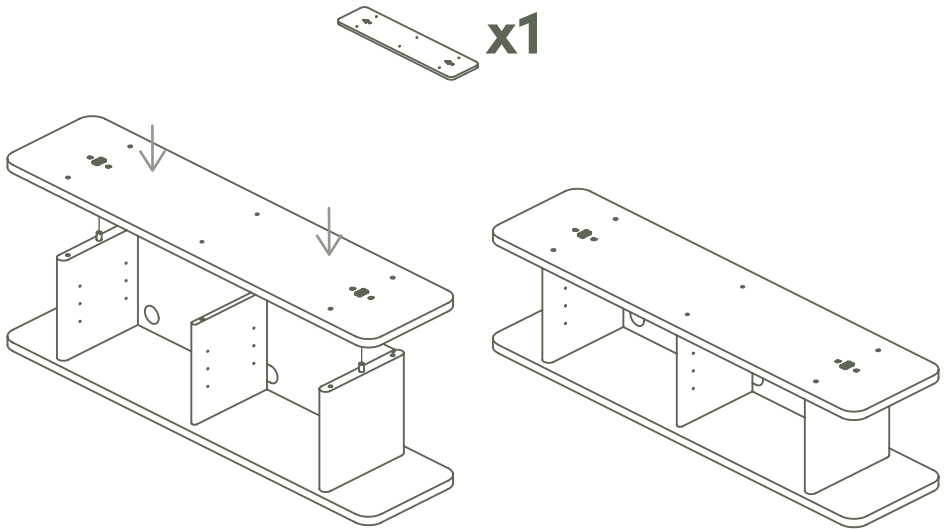


- 6.** Insert the back panel using the grooves in the side and top panel.

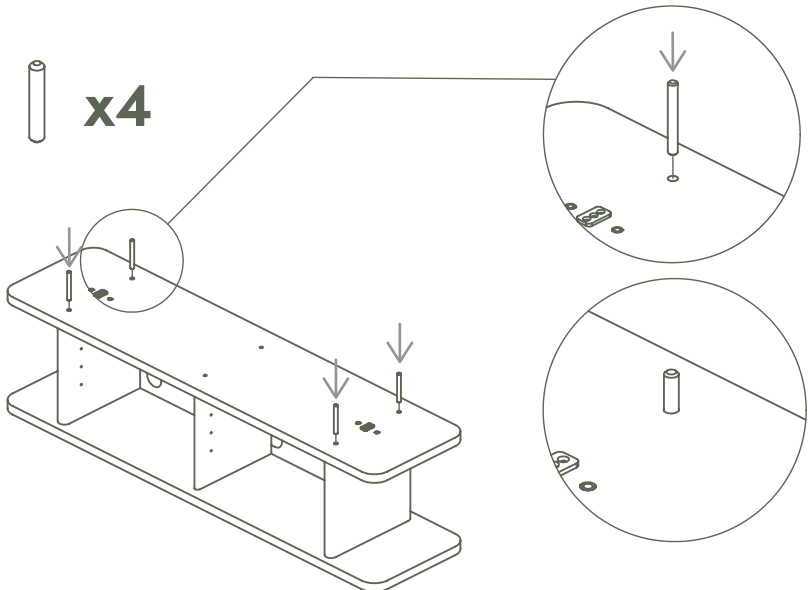


7. Lower the base panel onto the side panels and middle divider.

Click the button to watch the assembly video



8. Insert the larger dowels into the holes shown.

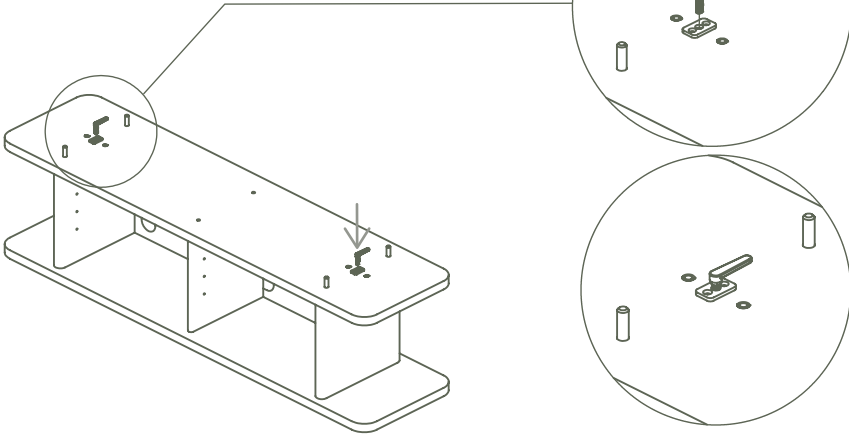


9. Secure the base panel using the lever bolts. Once tight, pull and realign the lever into the direction of the dowels

Click the button to watch the assembly video

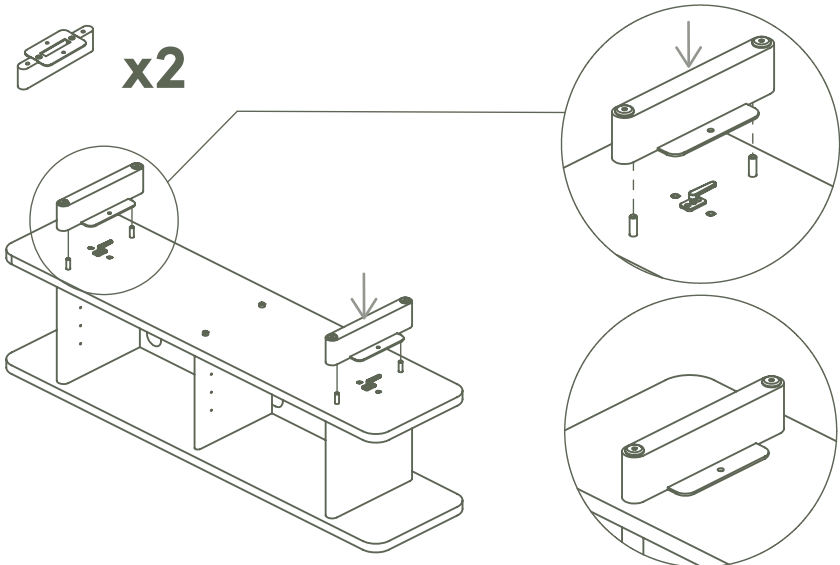


 **x2**



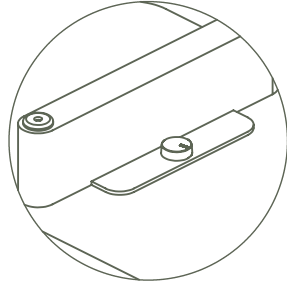
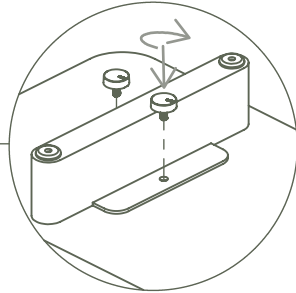
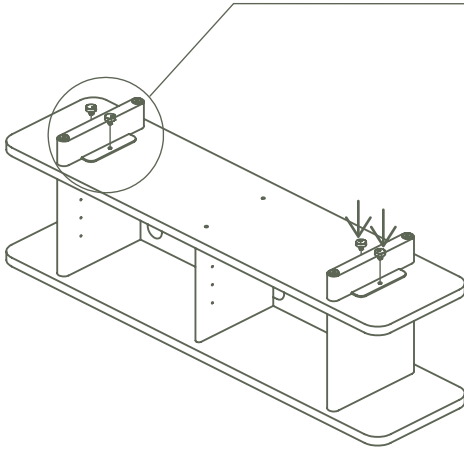
10. Insert the side support leg using the dowels to align.

 **x2**

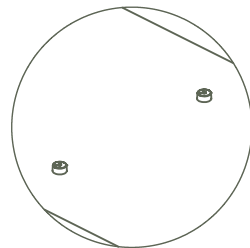
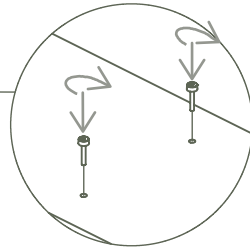
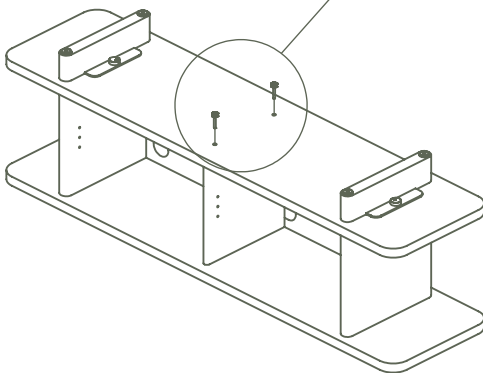


11. Secure the side support legs using the Gumnuts provided.

Click the button to watch the assembly video

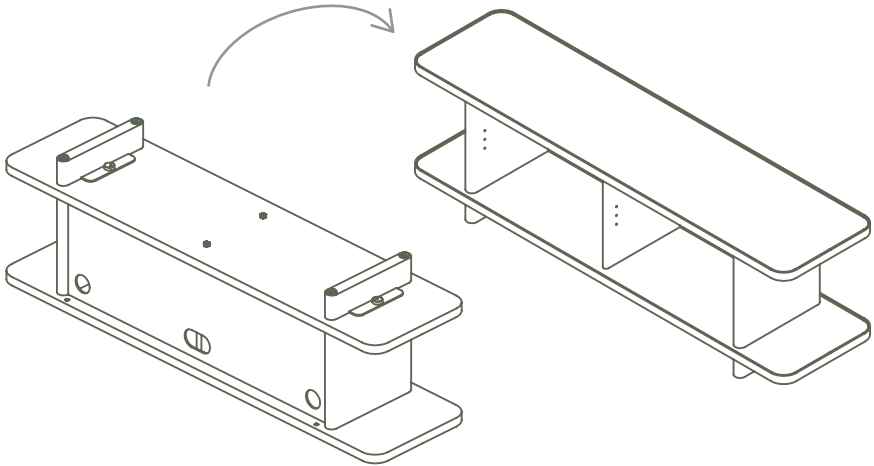


12. Screw in the bottom panel Gumnuts.



13. Flip the TV unit into the upright position.

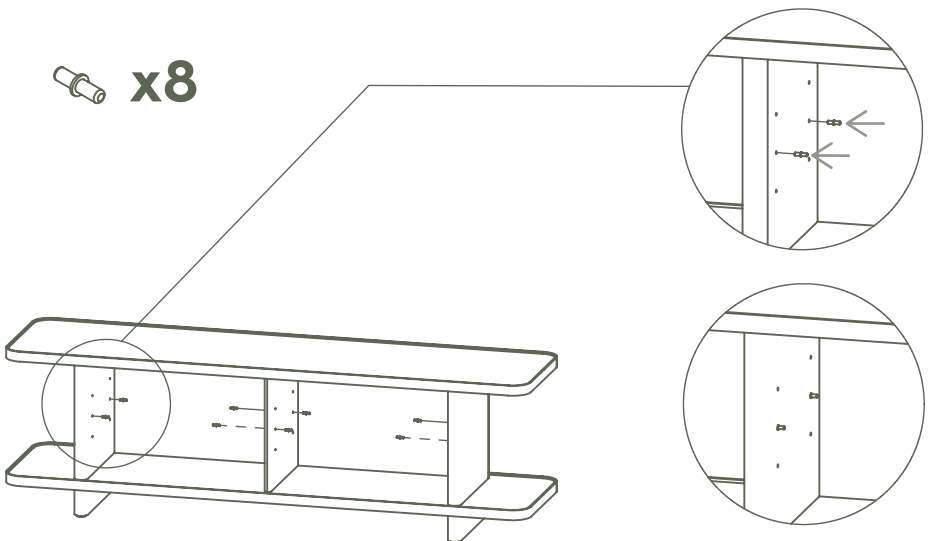
Click the button
to watch the
assembly video



 **x4**

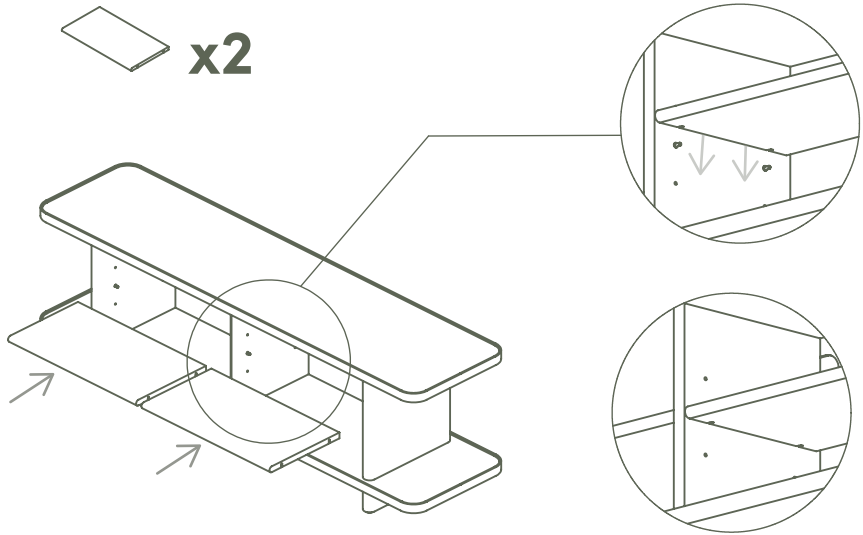
14. Insert the shelf support pins into the desired shelf setting.

 **x8**

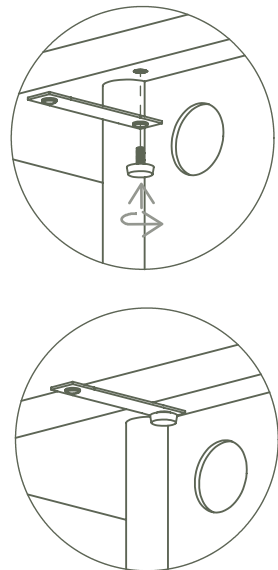
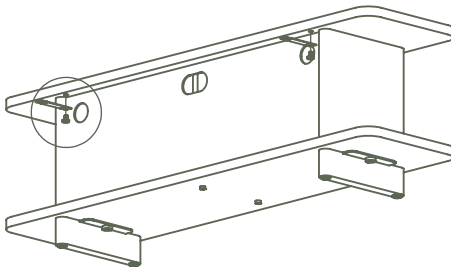


15. Insert the shelves, making sure they sit on the support pins.

Click the button to watch the assembly video



16. Fasten the wall mount lanyards to the rear using the Gumnuts provided.



How to care for your New Kirribilli Range

PROTECTION & CARE

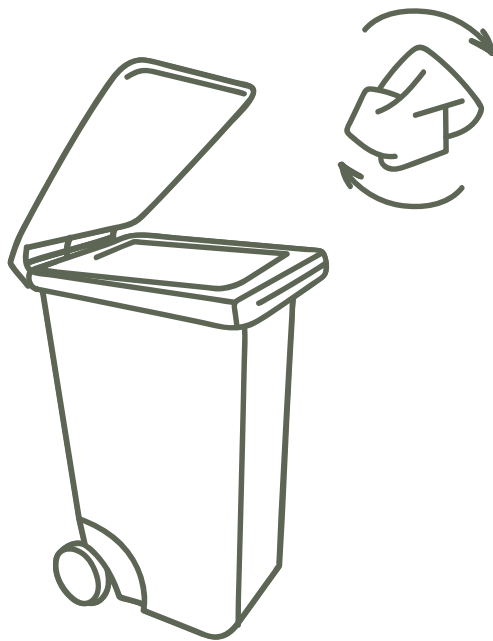
Regular Care (Weekly)

- Dust surface with a dry cloth or duster in the direction of the natural grain.
- Protect from direct sunlight.
- Do not place hot objects directly onto the surface of the table.
- Use coasters or mats to assist in prolonging the life of your product.

Cleaning

- Treat spills as soon as possible, wipe down with clean dry cloth.
- Do not use abrasive cloths, concentrated detergents, silicon-based wood polishes.

Click the button
to watch the
assembly video



don't forget to recycle.

koala