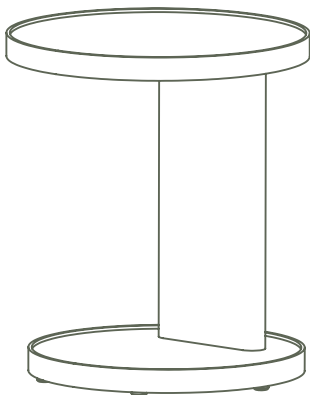


April 2024

Click the button
to watch the
assembly video



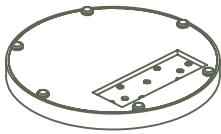
KIRRIBILLI SIDE TABLE

Ko'da

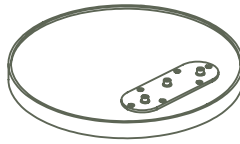
What's in the box*:

*Not to scale

Click the button
to watch the
assembly video



Base
x1



Top
x1



Upright support
x1



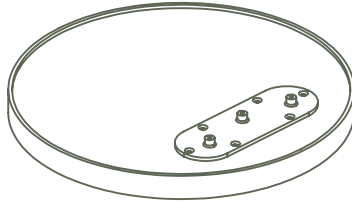
Support rod
x3



Gumnuts
x3

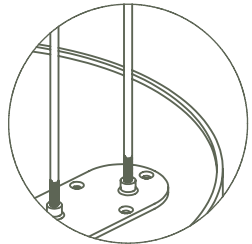
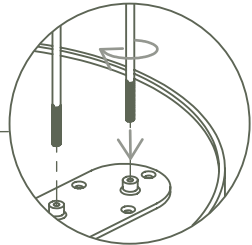
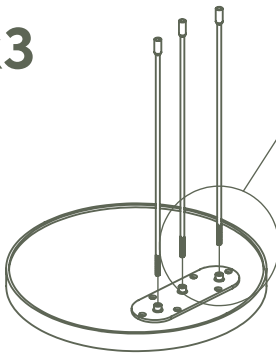
1. Place the table top face down on a flat surface.

Click the button to watch the assembly video



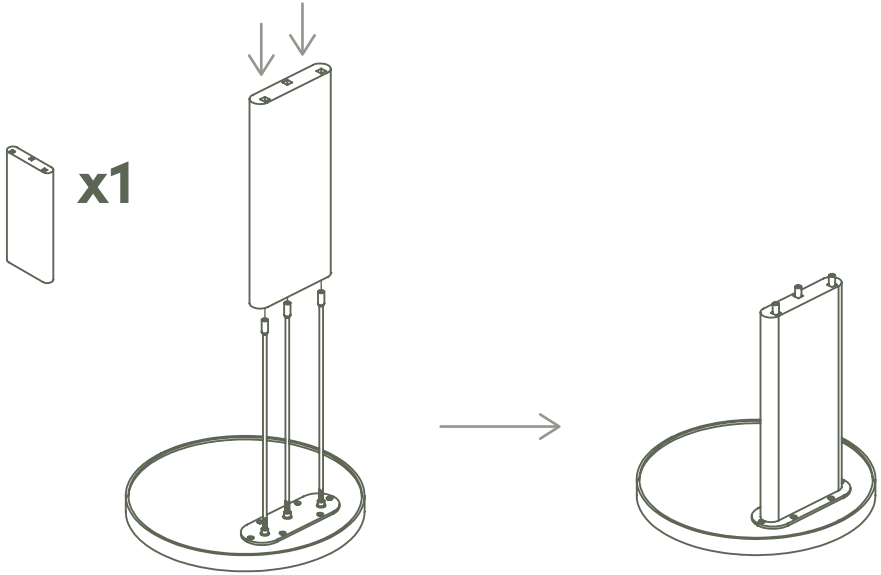
NOTE - Make sure the lip is facing down.

2. Screw the support rods into the table top.

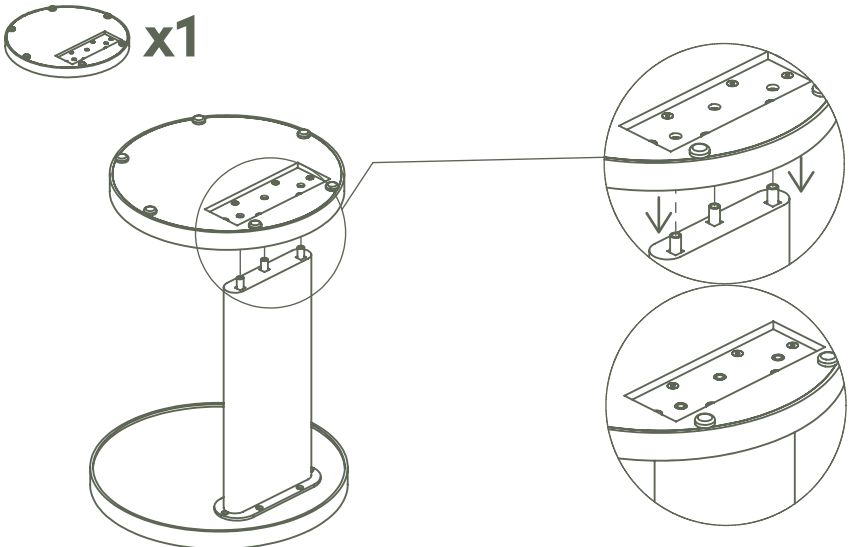


3. Slide the side panel over the support rods.

Click the button
to watch the
assembly video



4. Lower the base onto the upright supports.

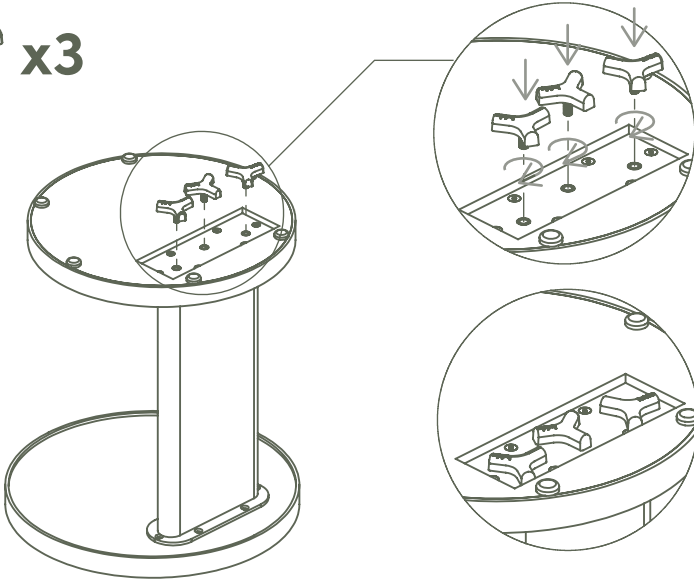


5. Attach the base with the Gumnuts provided.

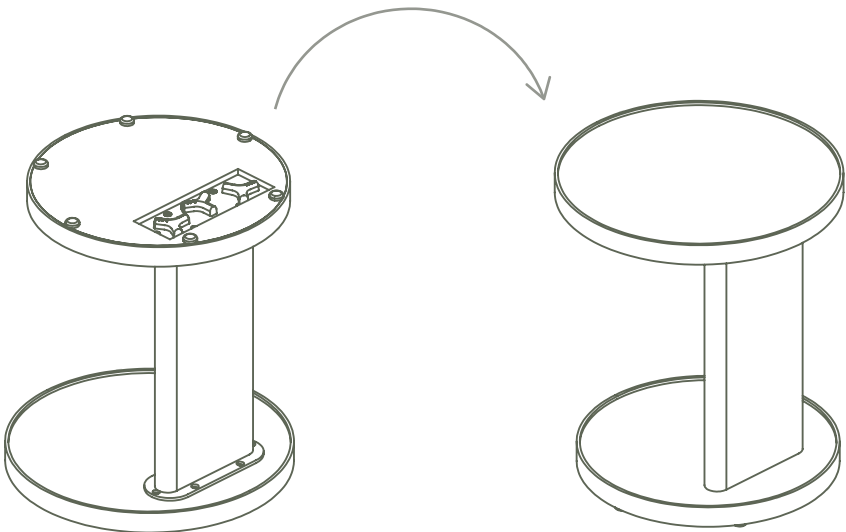
Click the button
to watch the
assembly video



 x3



6. Flip the side table into the upright position.



How to care for your New Kirribilli Range

PROTECTION & CARE

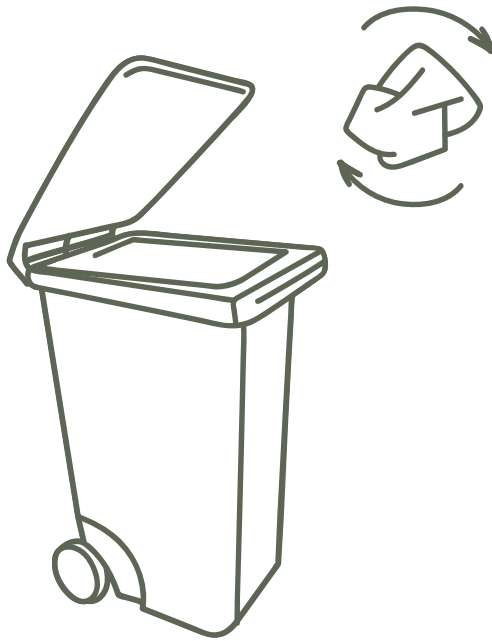
Regular Care (Weekly)

- Dust surface with a dry cloth or duster in the direction of the natural grain.
- Protect from direct sunlight.
- Do not place hot objects directly onto the surface of the table.
- Use coasters or mats to assist in prolonging the life of your product.

Cleaning

- Treat spills as soon as possible, wipe down with clean dry cloth.
- Do not use abrasive cloths, concentrated detergents, silicon-based wood polishes.

Click the button
to watch the
assembly video



don't forget to recycle.

koala