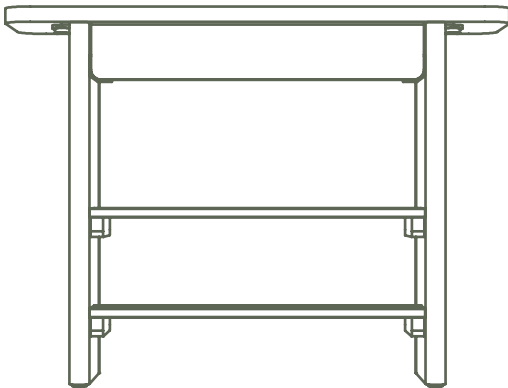


April 2024

Click the button  
to watch the  
assembly video



**Kirribilli Console**

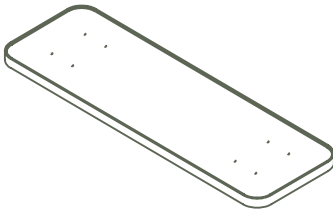
**Ko'da**

Click the button  
to watch the  
assembly video

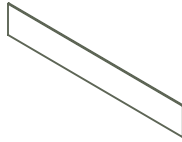


# What's in the box\*:

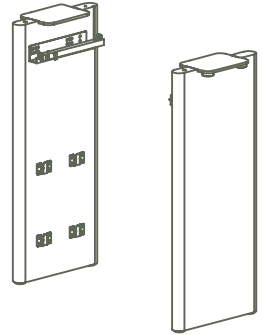
\*Not to scale



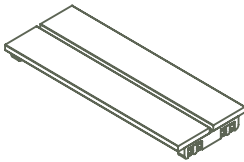
**x1**  
top panel



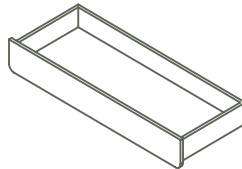
**x1**  
back panel



**x2**  
leg



**x2**  
shelf



**x1**  
drawer



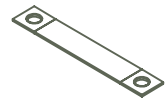
**x8**  
gumnut



**x4**  
dowel



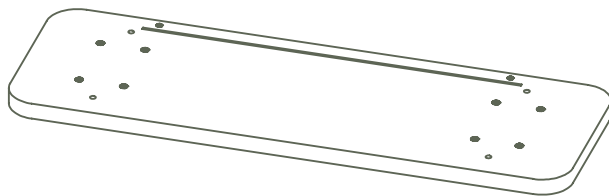
**x2**  
gumnut



**x2**  
wall mount lanyard

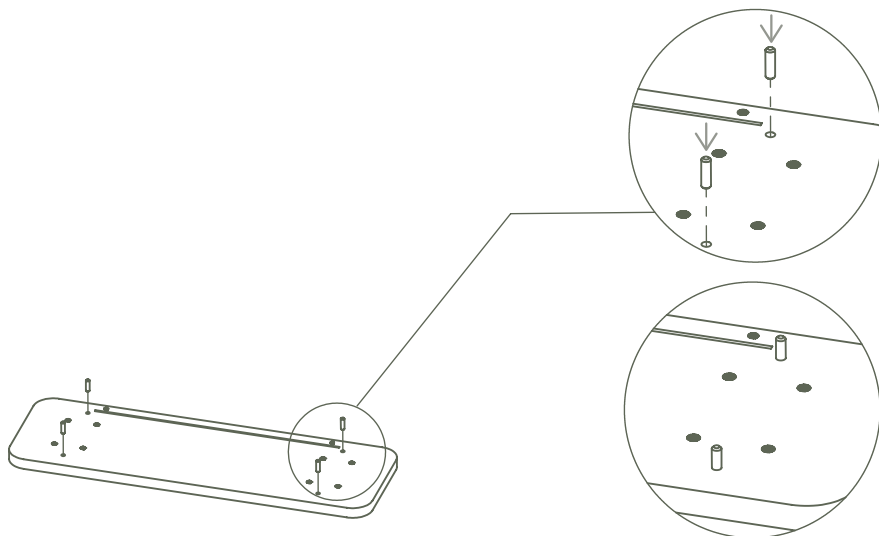
1. lay the top of the console on a soft surface to avoid damaging the finish

Click the button to watch the assembly video



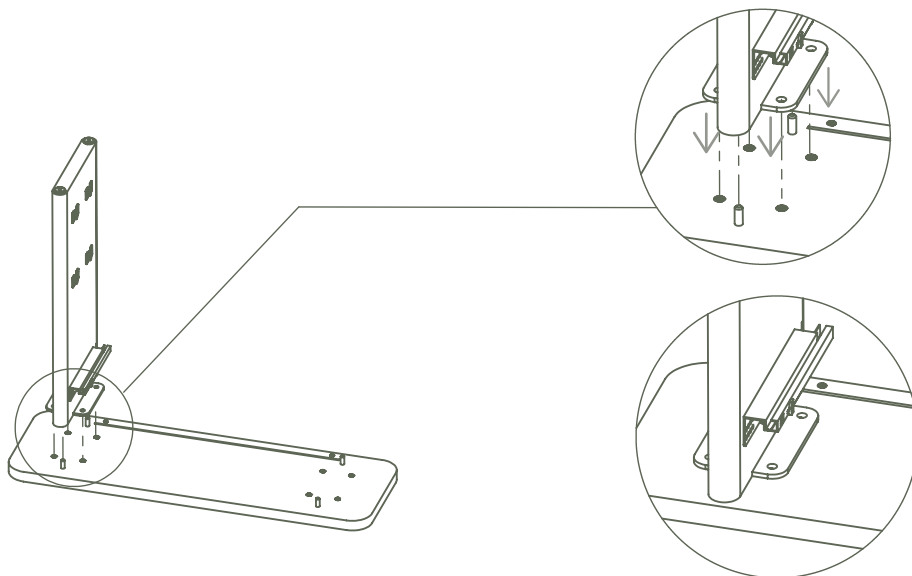
NOTE - Make sure lip is facing down

- 
2. push the dowels into the holes

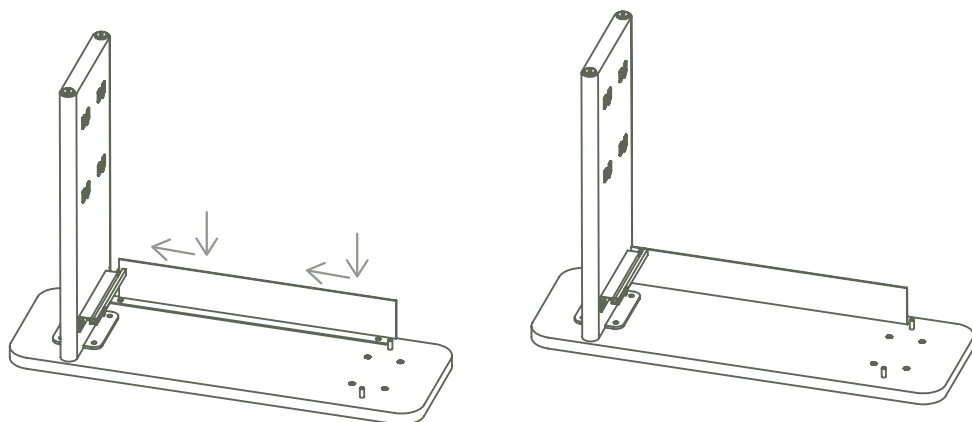


- 3.** fix one leg into position using the dowels.  
ensure the top panel slot and leg slot align

Click the button  
to watch the  
assembly video

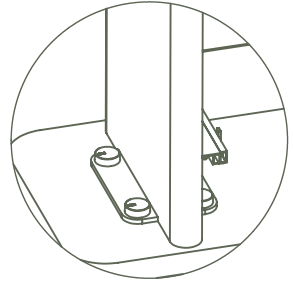
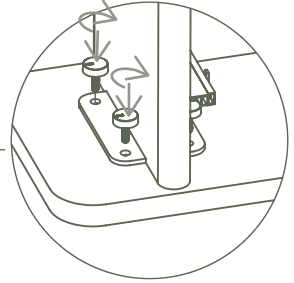
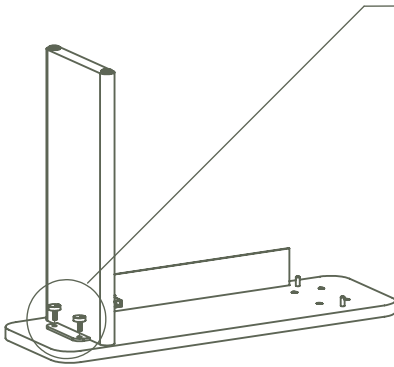


- 4.** slide in the back panel using the slots in the leg and top panel

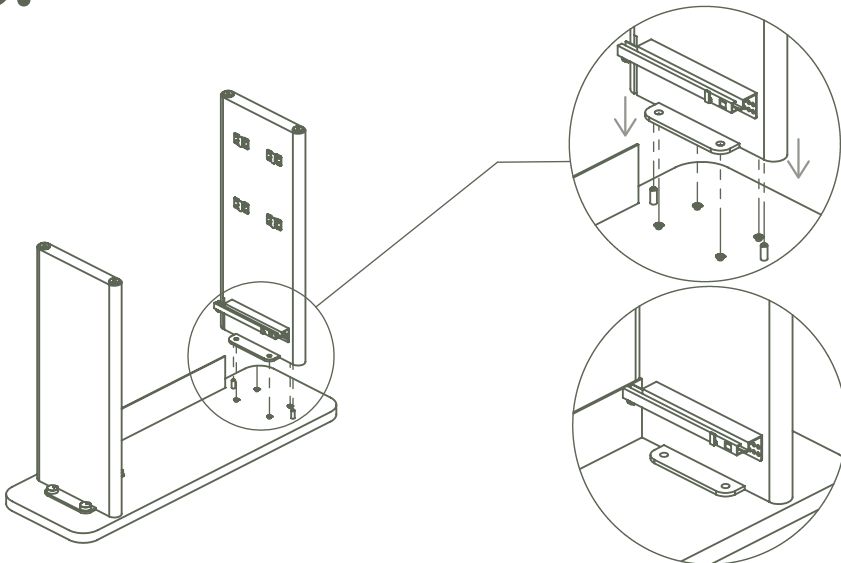


**5.** fasten the leg down using the gumnuts provided

Click the button to watch the assembly video

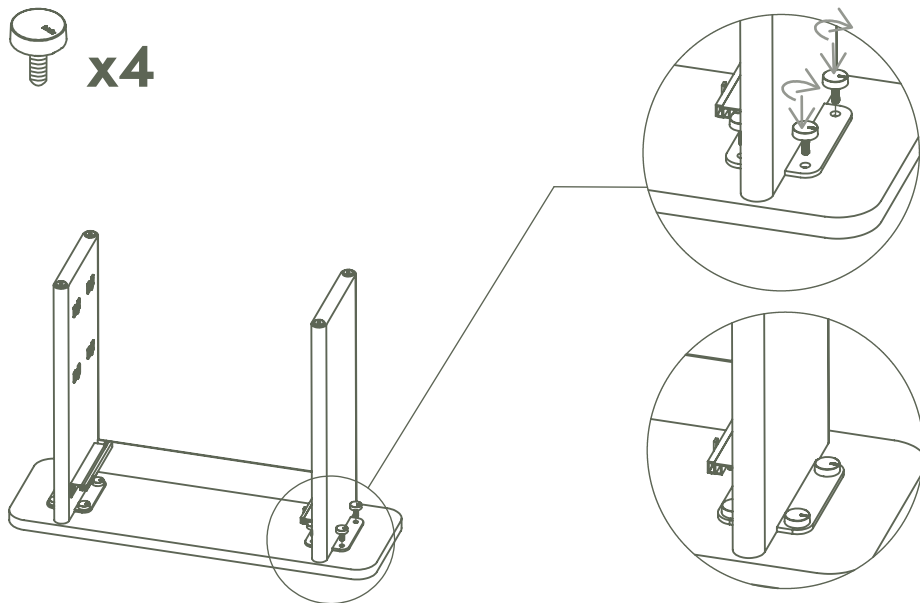


**6.**

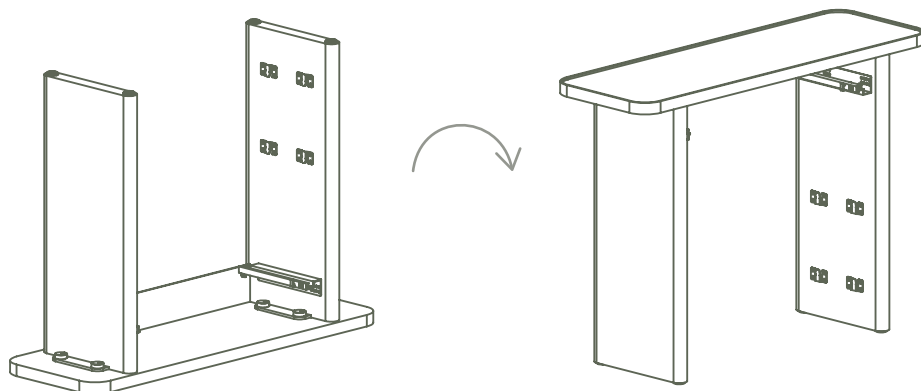


**7.** fasten the leg down using the remaining gumnuts provided

Click the button  
to watch the  
assembly video

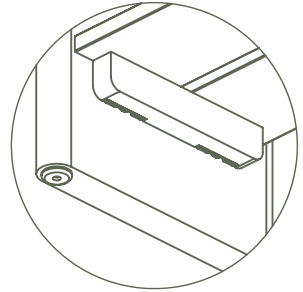
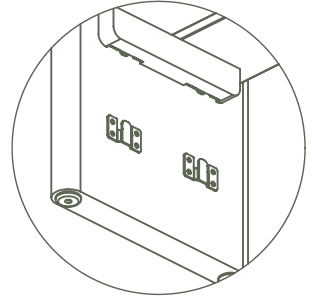
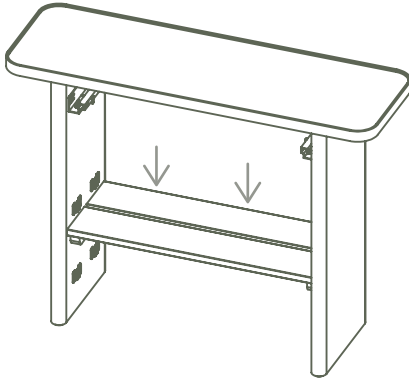


**8.** flip console into the upright position

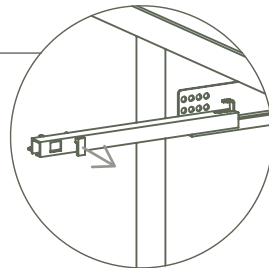
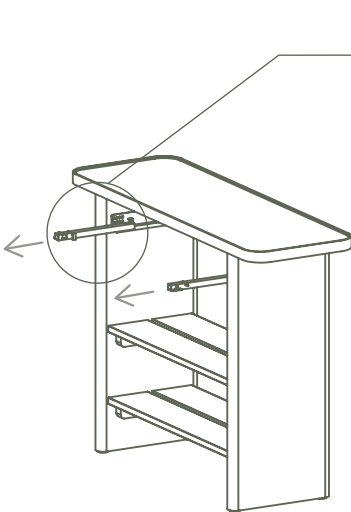


**9.** attach bottom shelf using the brackets.  
repeat for top shelf

Click the button  
to watch the  
assembly video



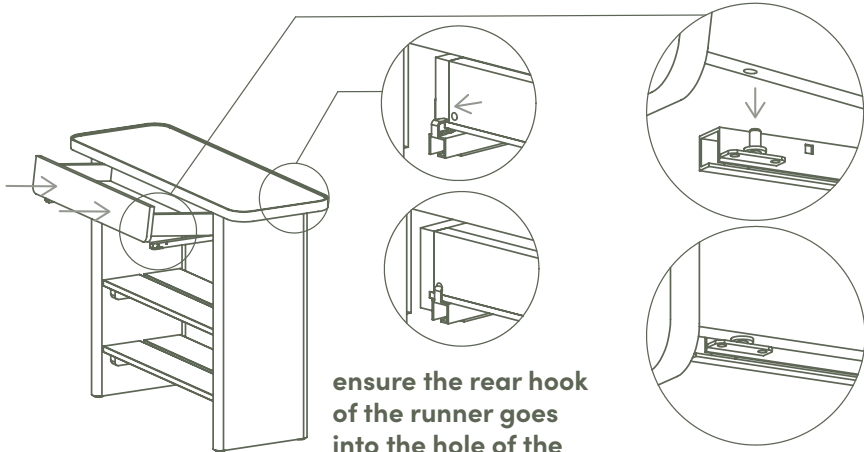
**10.** extend the drawer railings out. take note of the rear hooks and the  
dowel on the drawer runners



**extend the tabs  
on both runners**

**11.** carefully place the drawer onto the drawer runner at an angle.  
ensure drawer is securely fitted by gently opening and closing the drawer

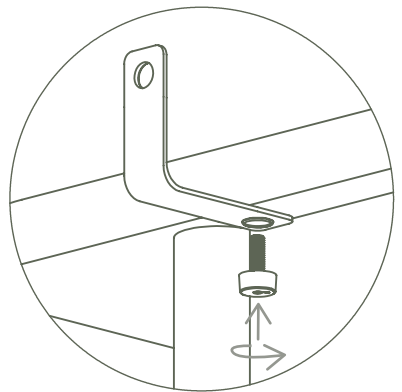
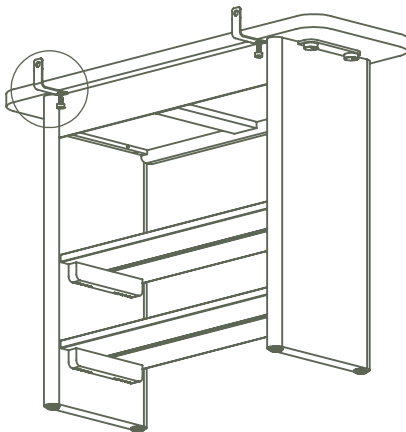
Click the button  
to watch the  
assembly video



ensure the rear hook  
of the runner goes  
into the hole of the  
back drawer

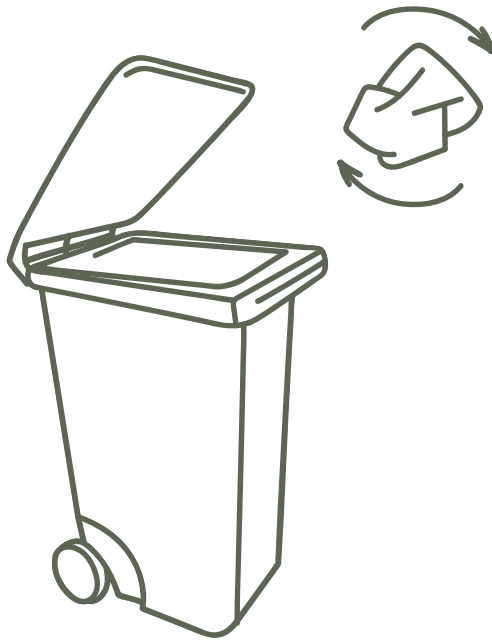
align hole at front of  
drawer with dowel  
on runner

**12.** to mount console to the wall, fasten the lanyards using the  
gumnuts provided





Click the button  
to watch the  
assembly video



don't forget to recycle.

**koala**