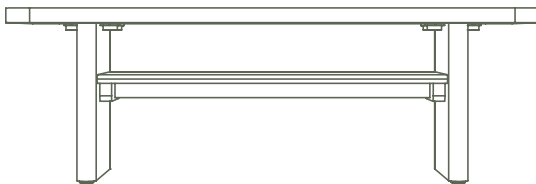


April 2024

Click the button  
to watch the  
assembly video



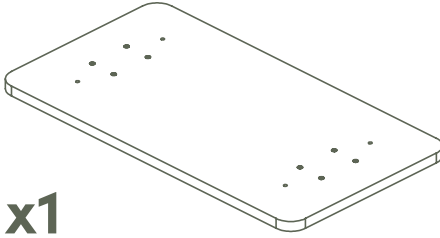
**KIRRIBILLI COFFEE TABLE**



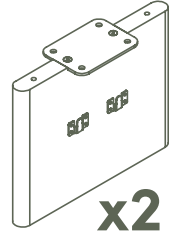
# What's in the box\*:

\*Not to scale

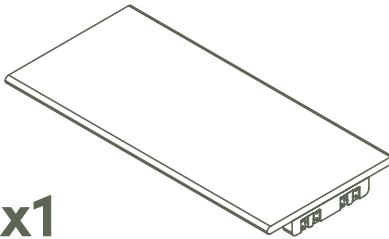
Click the button  
to watch the  
assembly video



**x1**



**x2**



**x1**



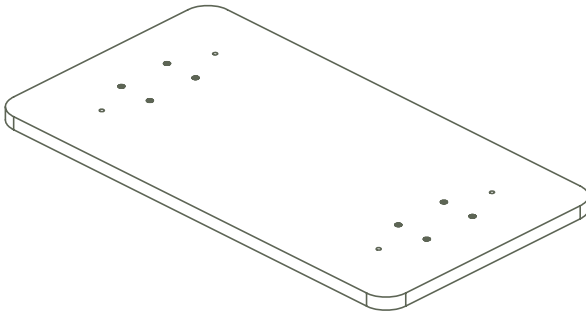
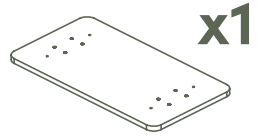
**x4**



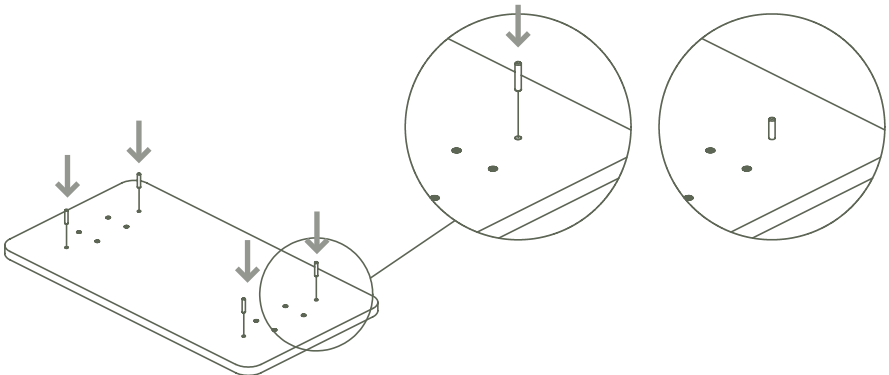
**x8**

- 1.** Place the table top on a flat surface with the drill holes facing upwards.

Click the button to watch the assembly video

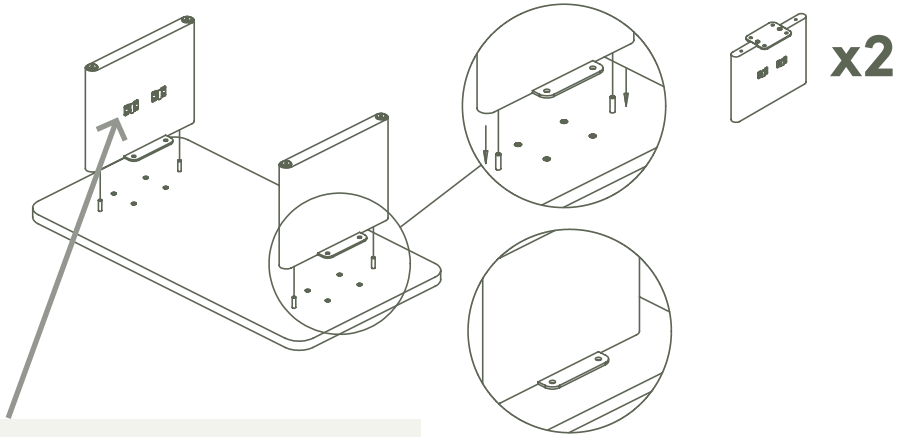


- 
- 2.** Insert dowels into the holes shown below.



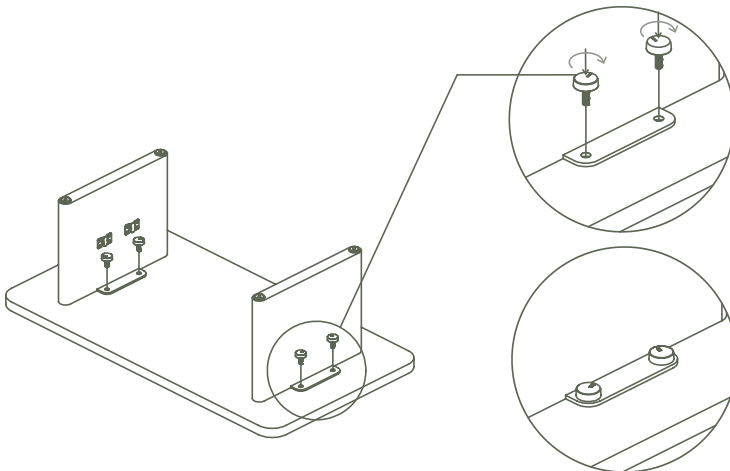
### 3. Attach the legs to the table top using the dowels to align.

Click the button to watch the assembly video



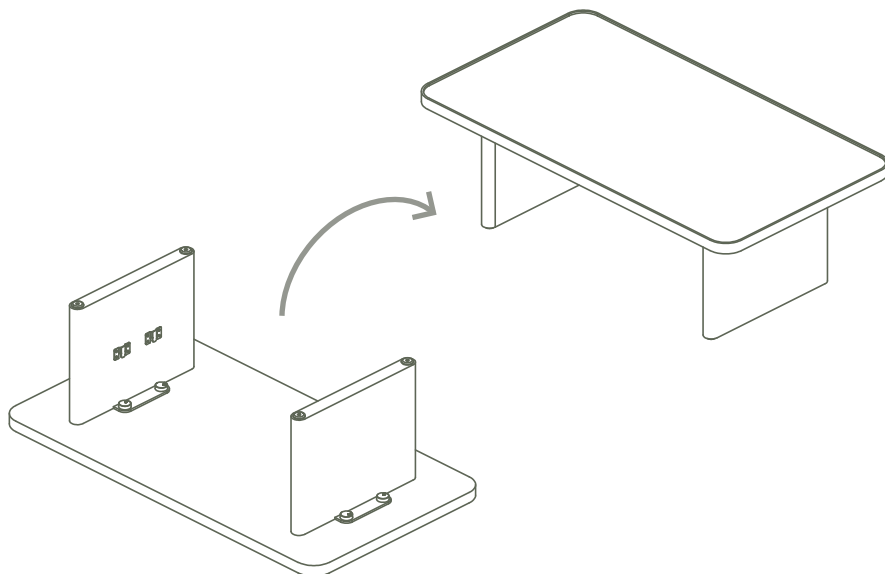
NOTE: Ensure the brackets are facing inwards.

### 4. Secure the legs using the gumnuts provided.

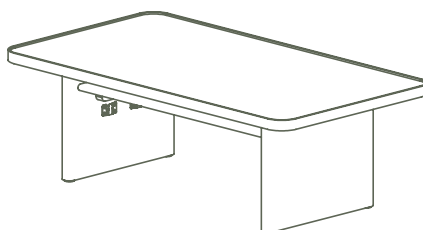
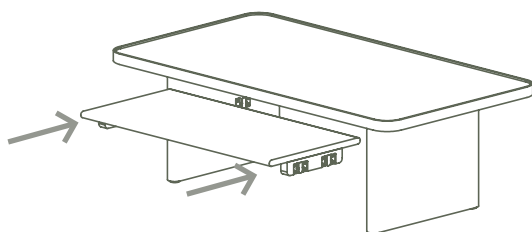
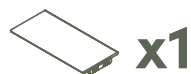


- 5.** Carefully flip the coffee table into the upright position.

Click the button to watch the assembly video

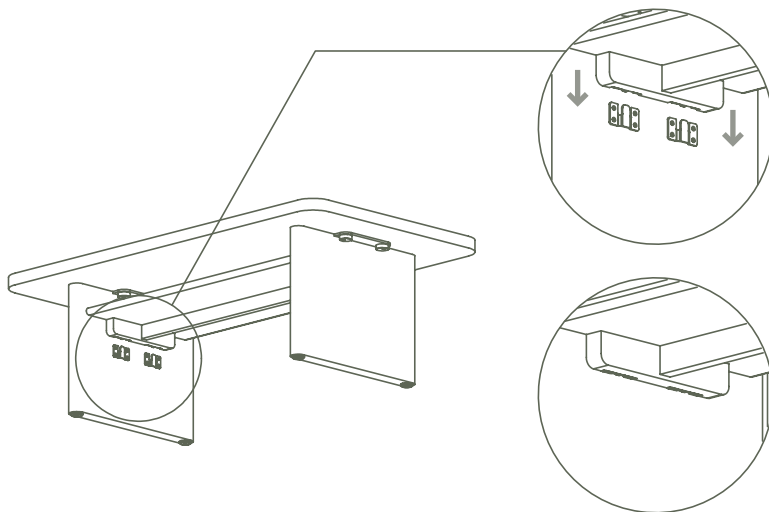


- 6.** Insert the bottom shelf into position, ensure the brackets on the inside legs and bottom shelf.

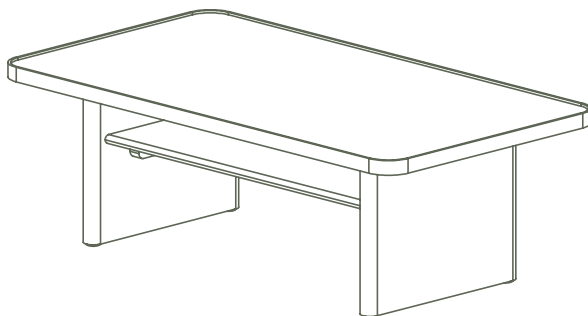


- 7.** Once brackets are aligned to the leg and the bottom Shelf, push down firmly to lock the bottom shelf into position

Click the button  
to watch the  
assembly video



- 
- 8.** Enjoy!



Click the button  
to watch the  
assembly video



## How to care for your New Kirribilli Range

### PROTECTION & CARE

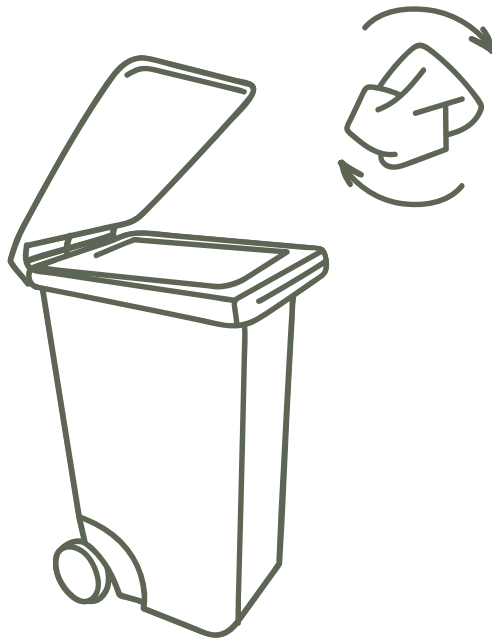
#### Regular Care (Weekly)

- Dust surface with a dry cloth or duster in the direction of the natural grain.
- Protect from direct sunlight.
- Do not place hot objects directly onto the surface of the table.
- Use coasters or mats to assist in prolonging the life of your product.

#### Cleaning

- Treat spills as soon as possible, wipe down with clean dry cloth.
- Do not use abrasive cloths, concentrated detergents, silicon-based wood polishes.

Click the button  
to watch the  
assembly video



don't forget to recycle.

**koala**