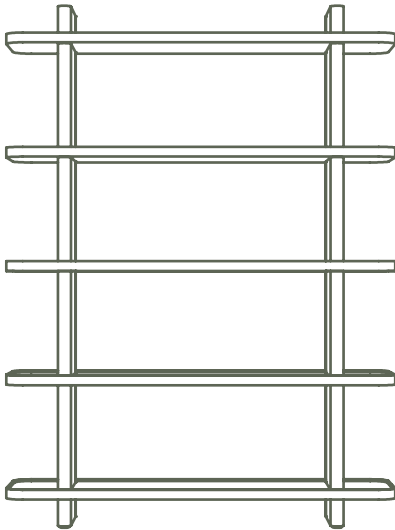


April 2024

Click the button
to watch the
assembly video



**TALL & WIDE
KIRRIBILLI BOOKSHELF**

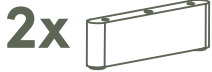


Click the button
to watch the
assembly video



What's in the box*:

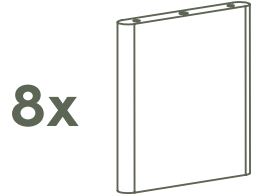
*Not to scale



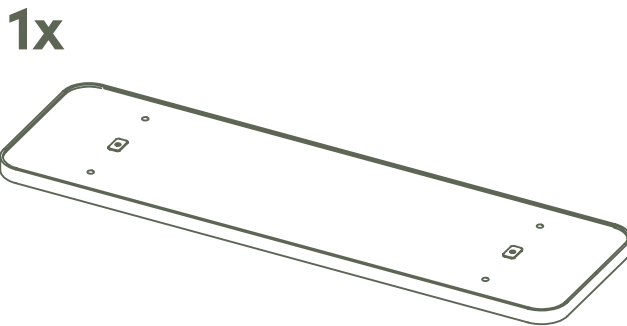
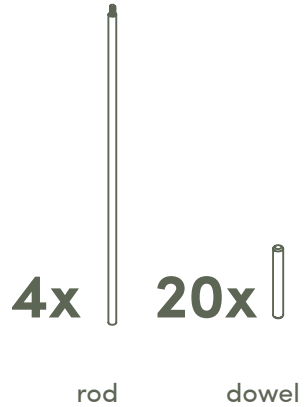
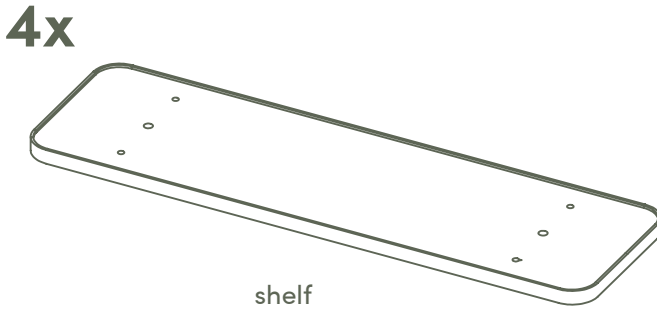
bottom upright panel



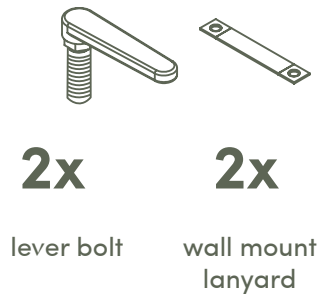
top upright panel



shelf upright panels

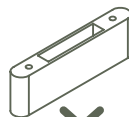
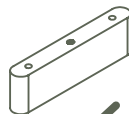
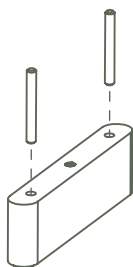
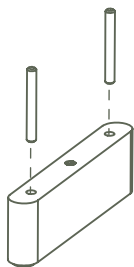


top shelf

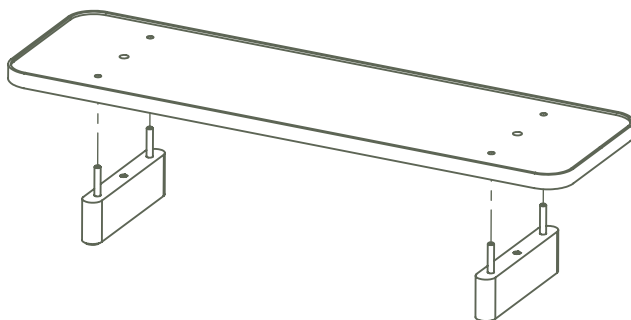


1. place dowels into bottom upright panels

Click the button
to watch the
assembly video



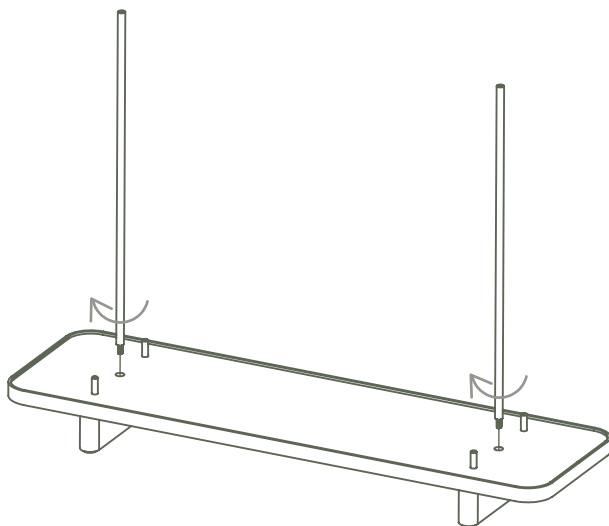
2. place shelf onto bottom upright panels using dowels to align



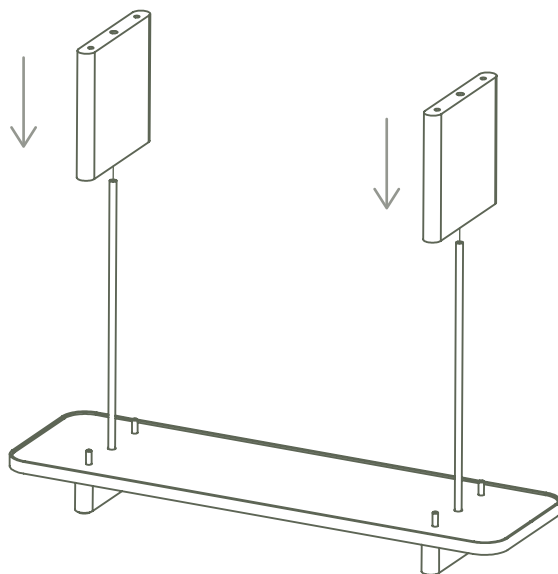
NOTE - Make sure lip is facing up.

3. screw in rods to bottom upright panels

Click the button
to watch the
assembly video

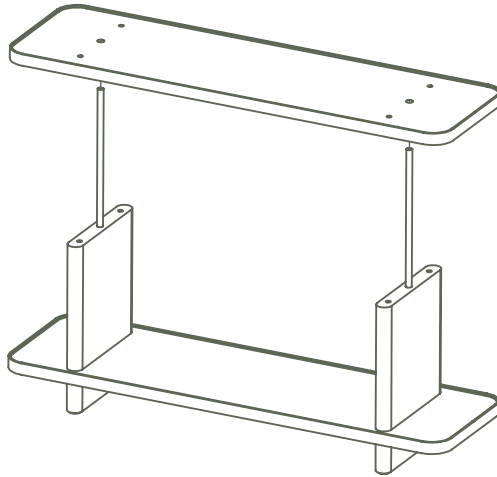


4. slide shelf upright panels over rods onto bottom shelf



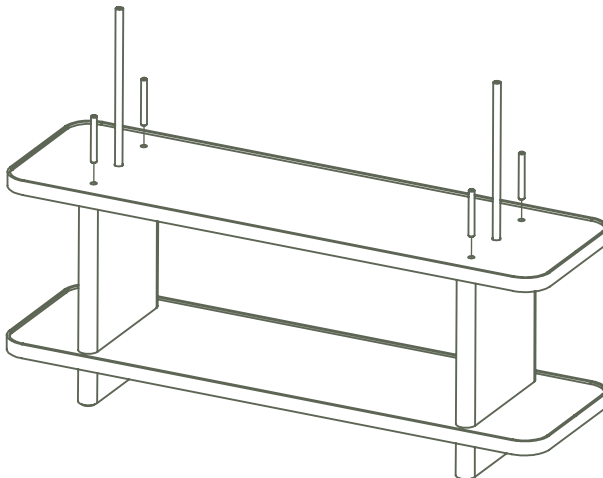
5. slide next shelf onto shelf uprights over rods

Click the button
to watch the
assembly video



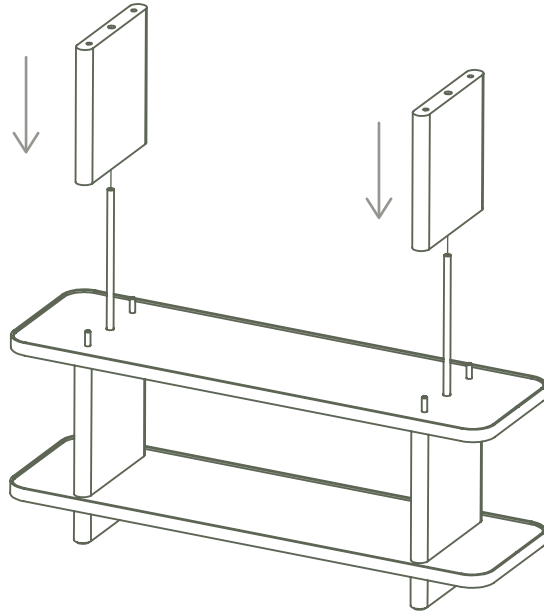
NOTE - Make sure lip is facing up.

6. place dowels into shelf holes making sure they go through into the shelf upright panels below

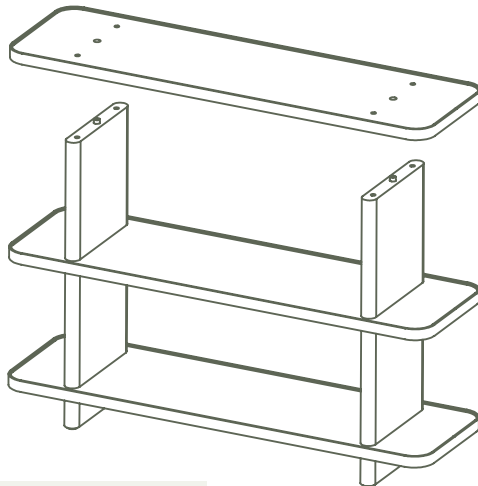


7. slide next shelf upright panels over rods onto bottom shelf

Click the button
to watch the
assembly video



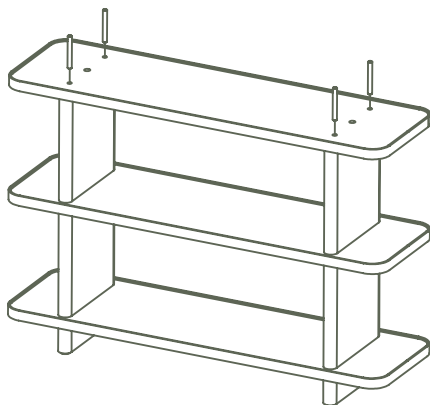
8. slide next shelf onto shelf uprights over rods



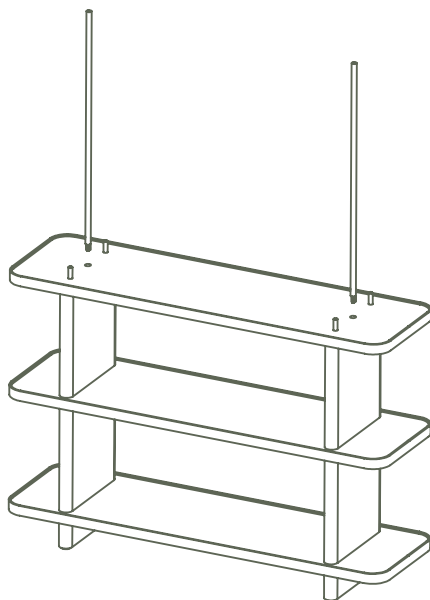
NOTE - Make sure lip is facing up.

- 9.** place dowels into shelf holes making sure they go through into the shelf upright panels below

Click the button
to watch the
assembly video

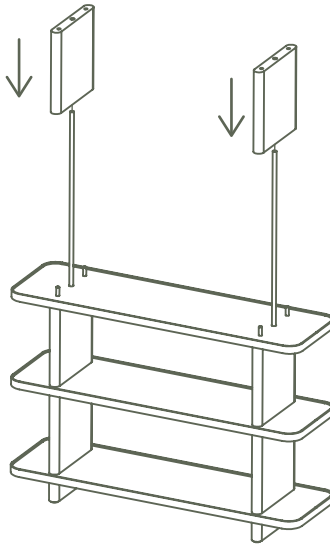


-
- 10.** screw in the remaining rods into the lower rods

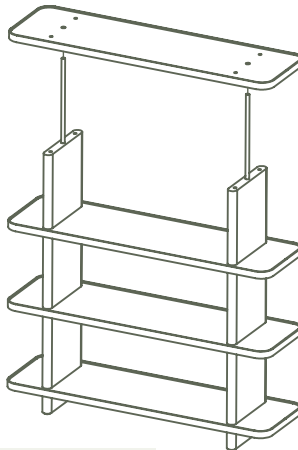


11. slide next shelf upright panels over rods onto bottom shelf

Click the button
to watch the
assembly video



12. slide next shelf onto shelf uprights over rods

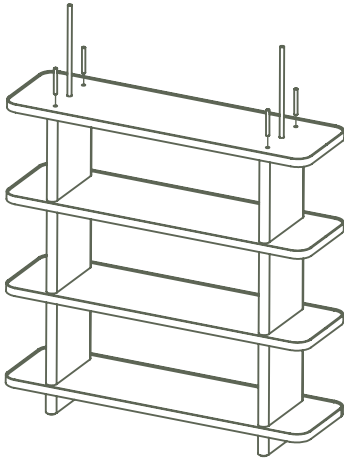


NOTE - Make sure lip is facing up.

13.

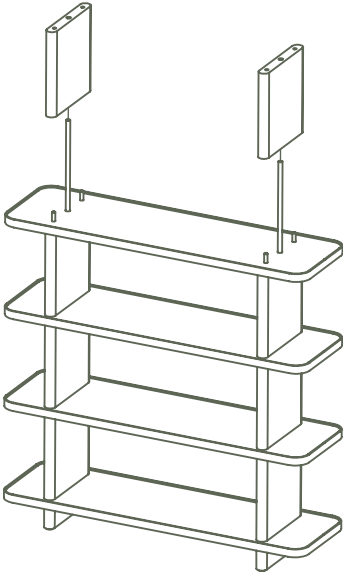
place dowels into shelf holes making sure they go through into the shelf upright panels below

Click the button to watch the assembly video



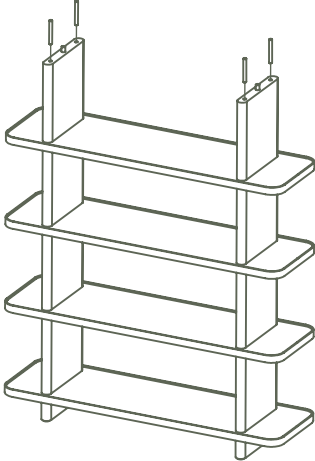
14.

slide next shelf upright panels over rods onto bottom shelf

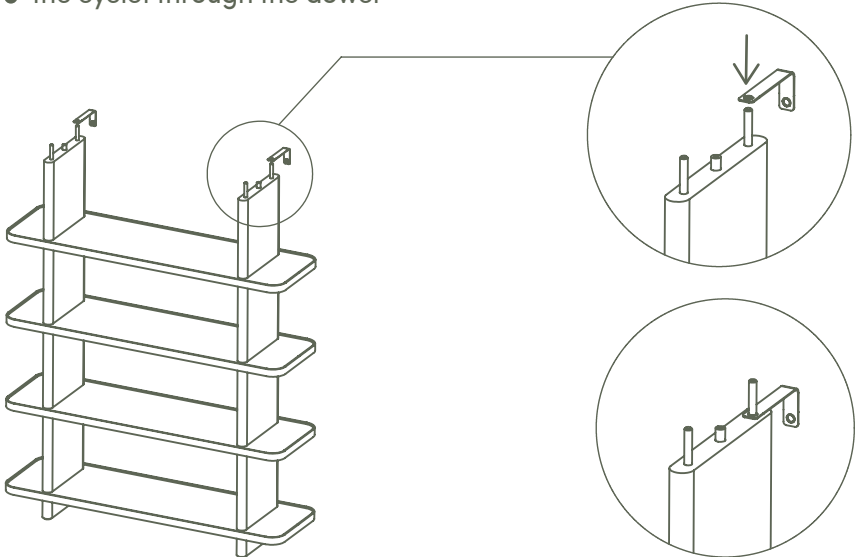


15. place dowels into the shelf upright panel holes

Click the button to watch the assembly video

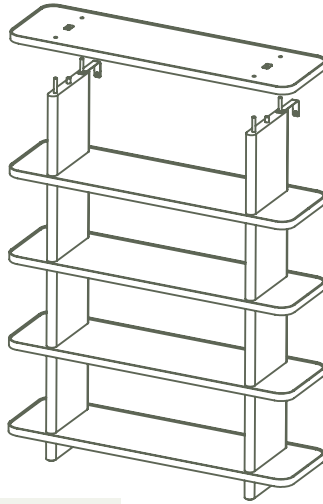


16. install the wall mounting lanyards by threading the eyelet through the dowel



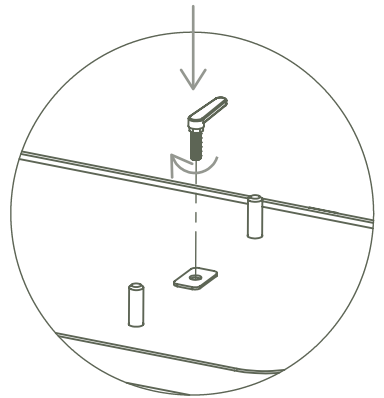
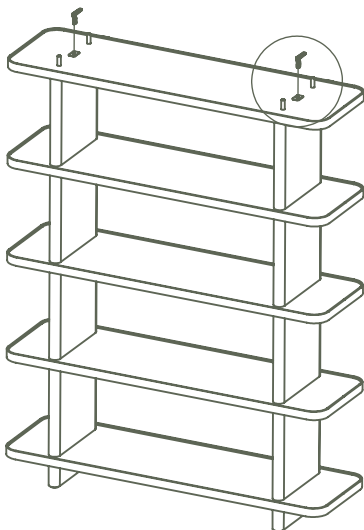
17. slide final shelf onto shelf uprights over rods

Click the button
to watch the
assembly video



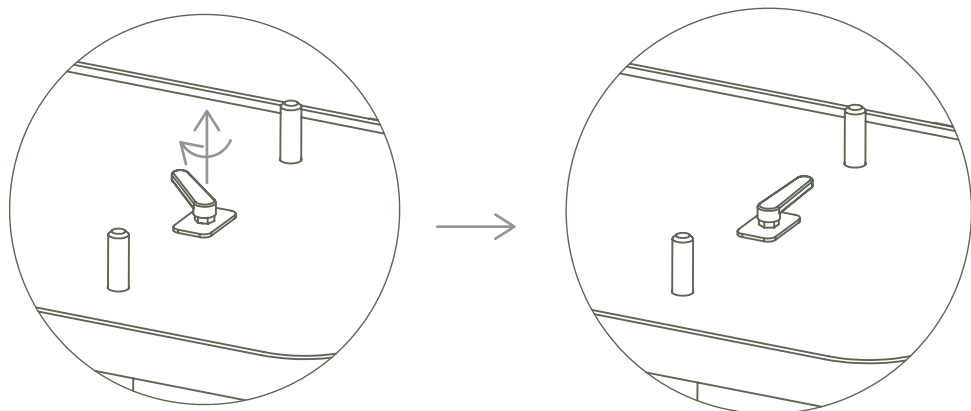
NOTE - Make sure
lip is facing up.

18. screw lever bolts into the top of the rods

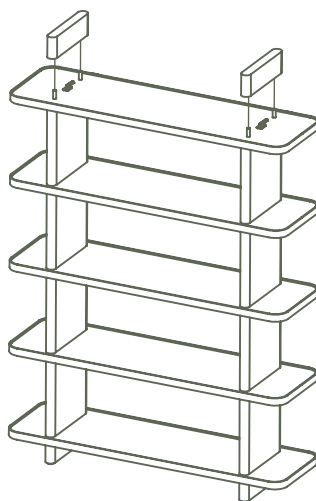


19. once both lever bolts are tightened, lift and rotate the lever so that it is pointing at a dowel

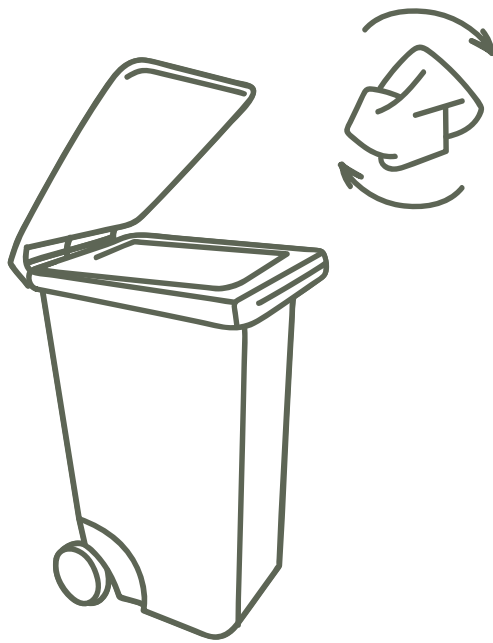
Click the button to watch the assembly video



20. lower the top upright panels onto the top shelf using the dowels to locate



Click the button
to watch the
assembly video



don't forget to recycle.

koala