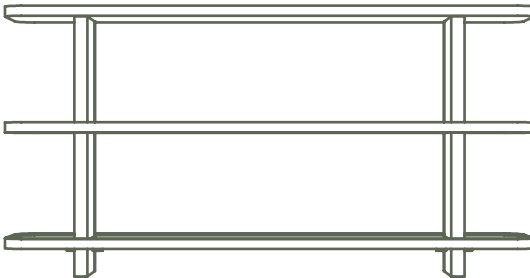


April 2024

Click the button
to watch the
assembly video



**SHORT & WIDE
KIRRIBILLI BOOKSHELF**

Ko'ava

Click the button
to watch the
assembly video

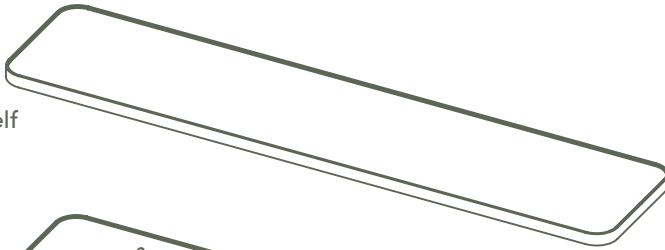


What's in the box*:

*Not to scale

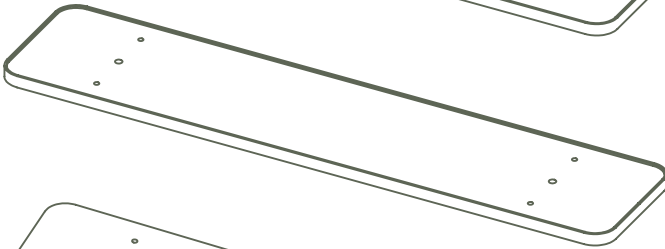
1x

top shelf



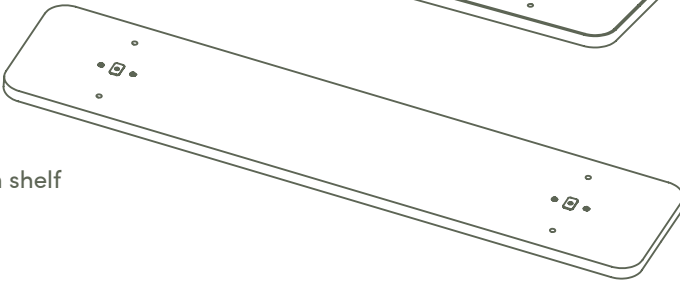
1x

shelf

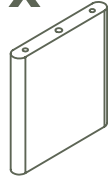


1x

bottom shelf

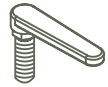


4x



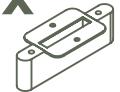
shelf upright panel

2x



lever bolt

2x



bottom upright



2x

rod



4x
60MM

dowel



8x
1000MM

dowel



4x

gumnut

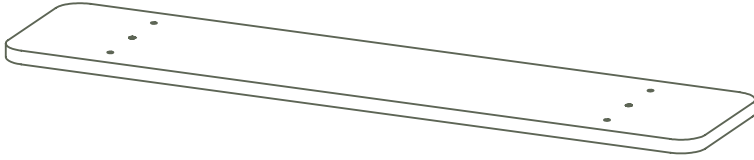


2x

wall mount
lanyard

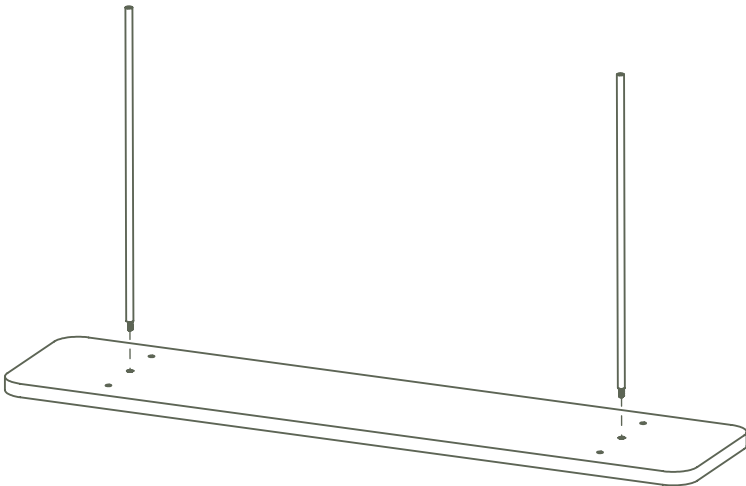
1. place top shelf on a soft surface such as carpet or a rug

Click the button to watch the assembly video



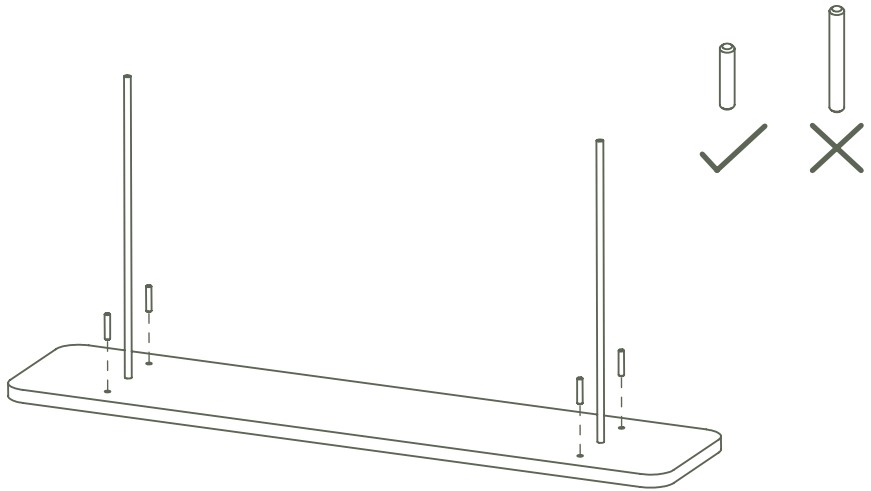
NOTE - Make sure lip is facing down.

-
2. screw the rods into the top shelf

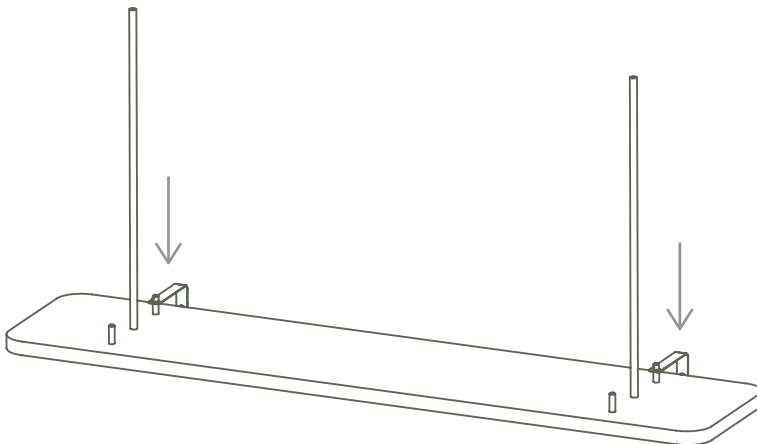


3. insert small dowels into the top shelf

Click the button
to watch the
assembly video

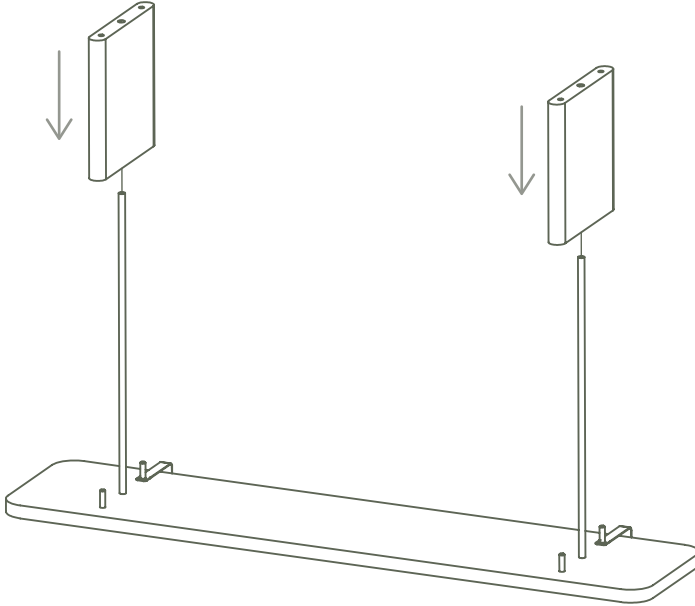


4. install the wall mounting lanyards by threading the eyelet through the dowel

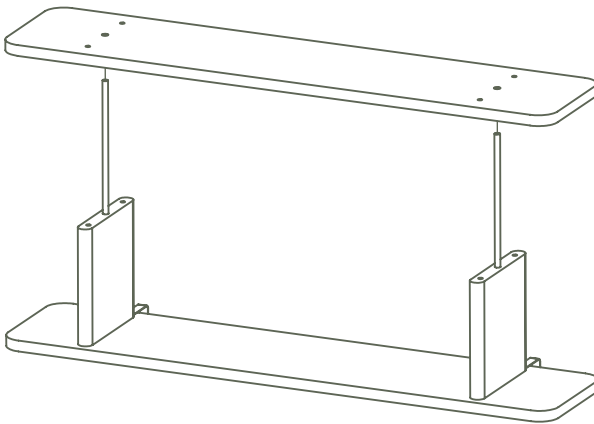


5. slide shelf upright panels over rods onto bottom shelf

Click the button to watch the assembly video



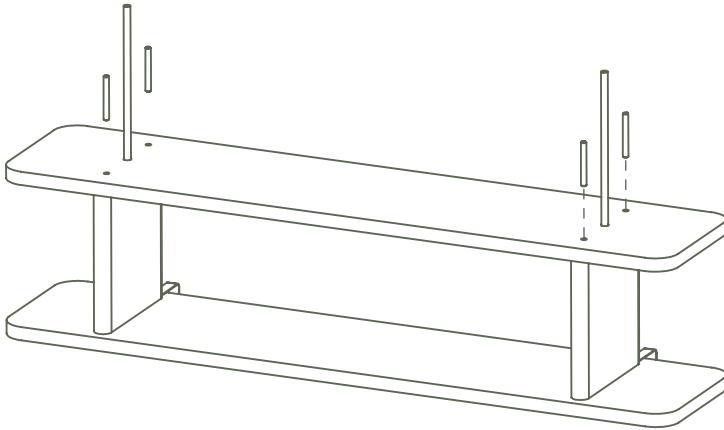
6. slide middle shelf onto shelf uprights over rods



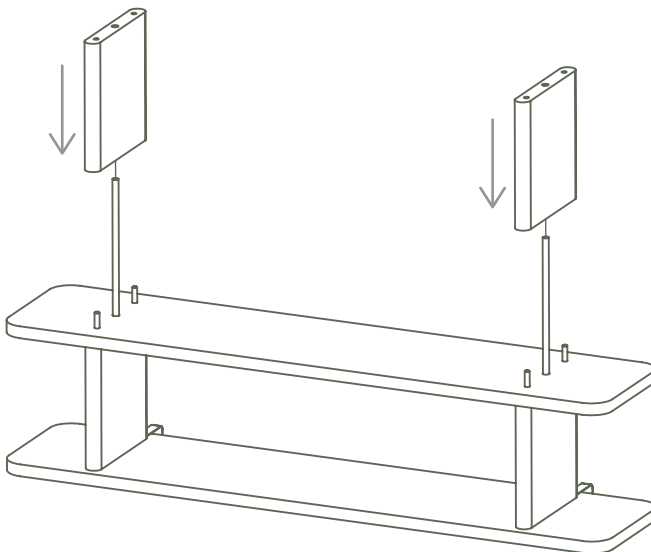
NOTE - Make sure lip is facing down.

- 7.** place dowels into middle shelf holes making sure they go through into the shelf upright panels below

Click the button to watch the assembly video

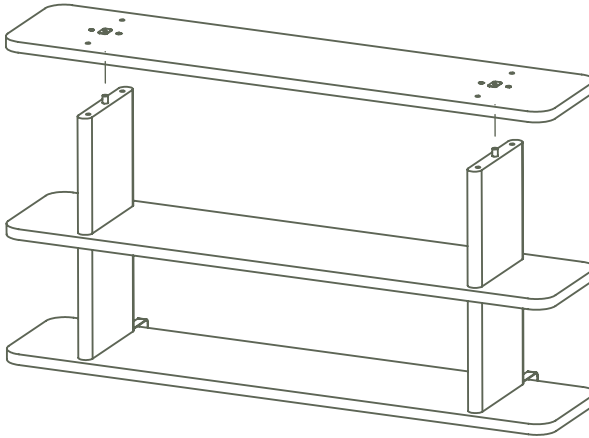


-
- 8.** slide final shelf upright panels over rods onto bottom shelf



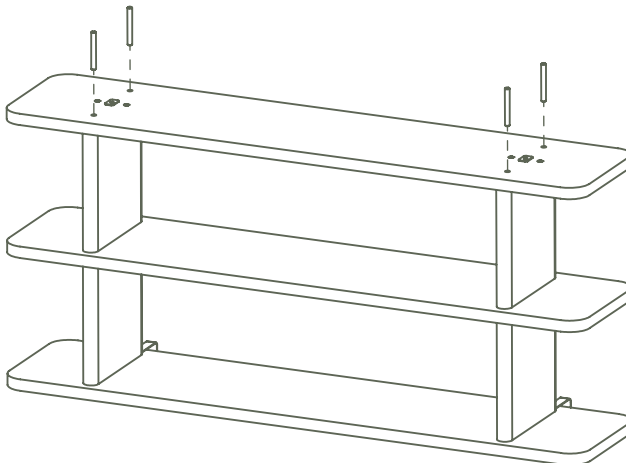
9. slide final shelf onto shelf uprights over rods

Click the button
to watch the
assembly video



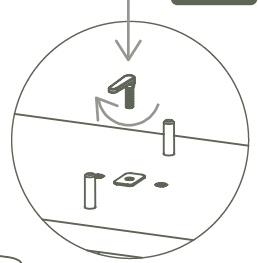
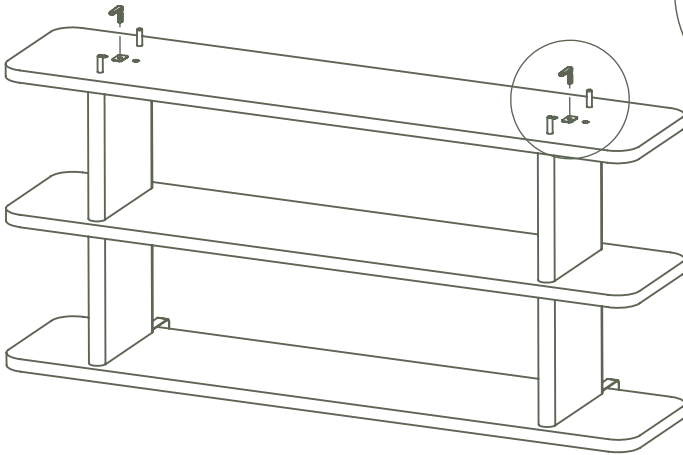
NOTE - Make sure lip is facing down.

10. place dowels into bottom shelf holes making sure they go through into the shelf upright panels below

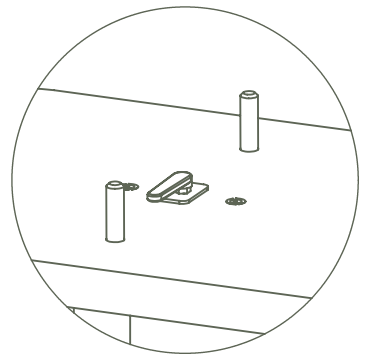
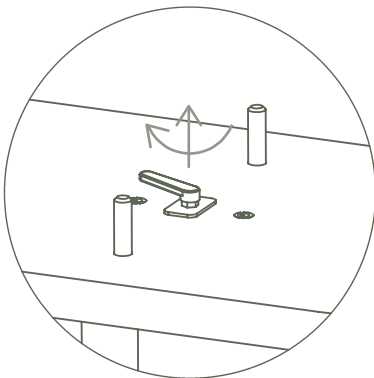


11. screw lever bolts into the top of the rods

Click the button
to watch the
assembly video



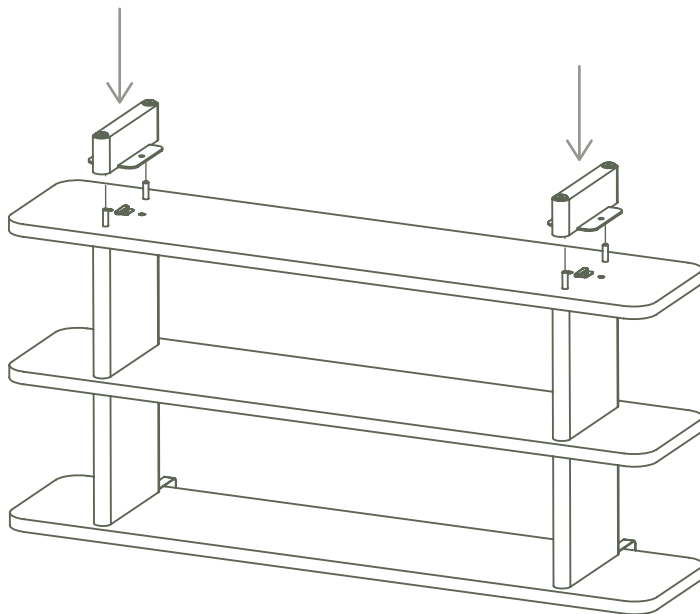
12. once both lever bolts are tightened, lift and rotate the lever so that it is pointing at a dowel



13.

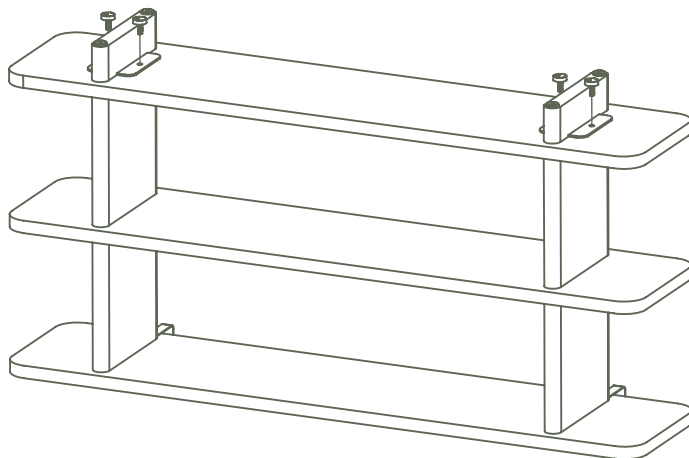
lower bottom upright panels onto dowels

Click the button
to watch the
assembly video



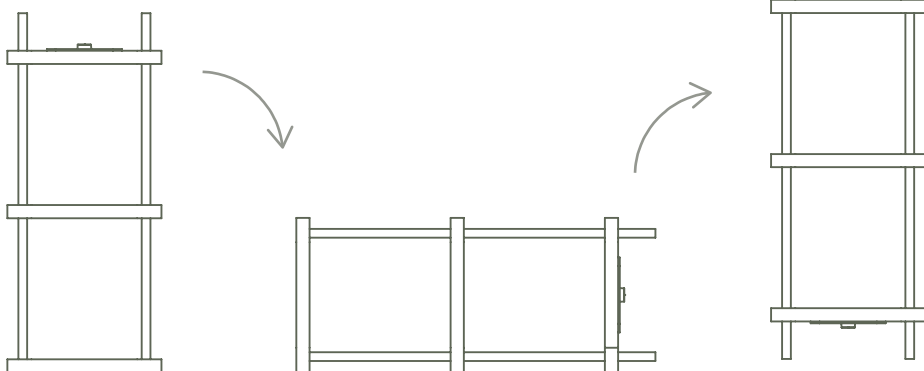
14.

tighten bottom upright panels to the bottom shelf using gumnuts

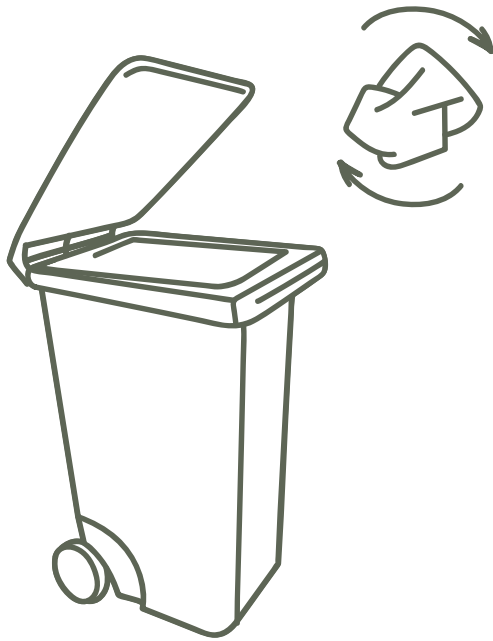


15. carefully lay the bookshelf on its side
then carefully stand the bookshelf up
into correct position

Click the button
to watch the
assembly video



Click the button
to watch the
assembly video



don't forget to recycle.

koala