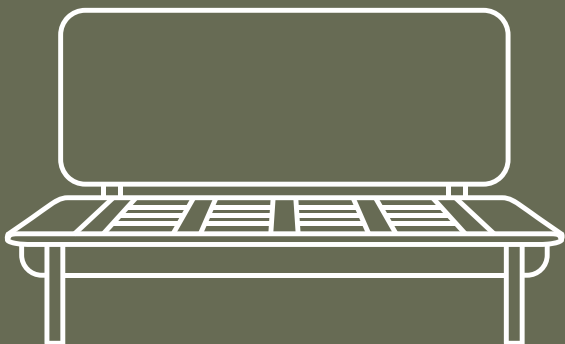


Kirribilli Bed

Double & Queen

Click the button
to watch the
assembly video



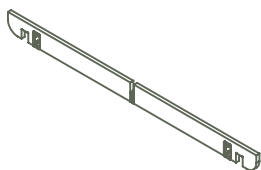
Kirribilli

What's in the box*

*Not to scale



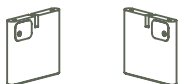
x2
Head end leg



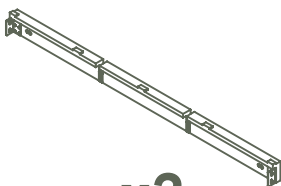
x2
End support panel



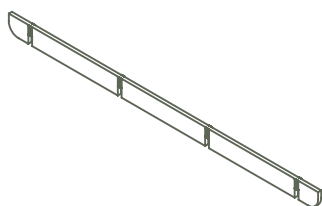
x2
Bedhead bracket



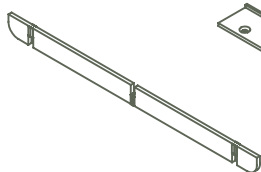
x2
Foot end leg



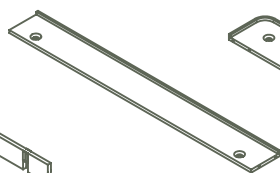
x2
Side support panel



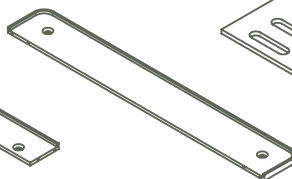
x1
Centre support frame



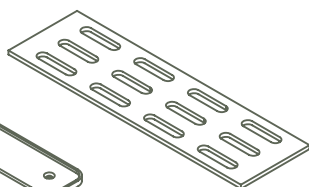
x2
Middle support frame



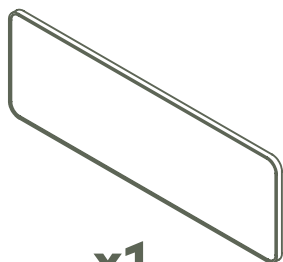
x2
End platform



x2
End platform



x4
Base platform



x1
Bedhead



x8
Tapered
Gumnut

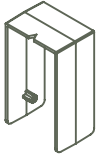


x4
Bedhead
Gumnut

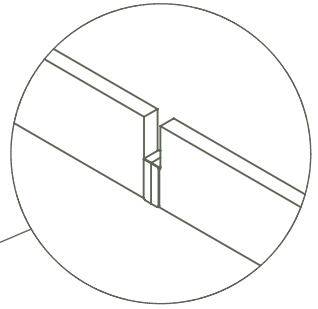
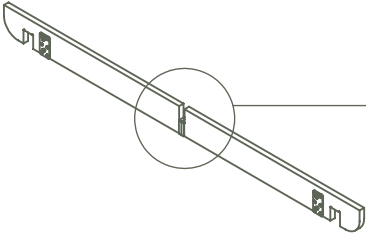


x4
Leg Gumnut

Pre-assembly check

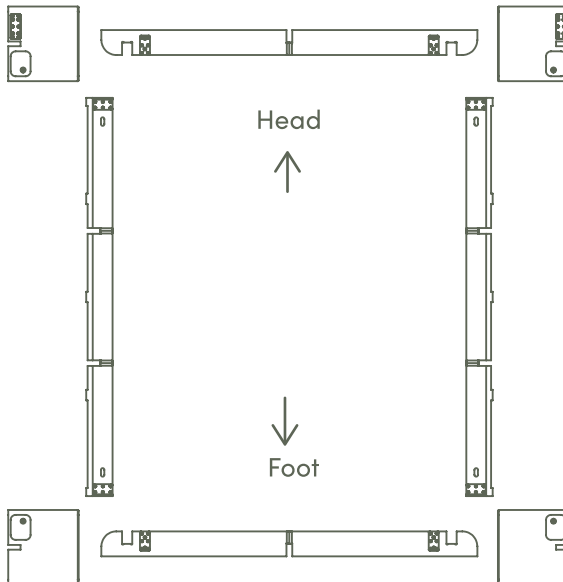


U-Clip

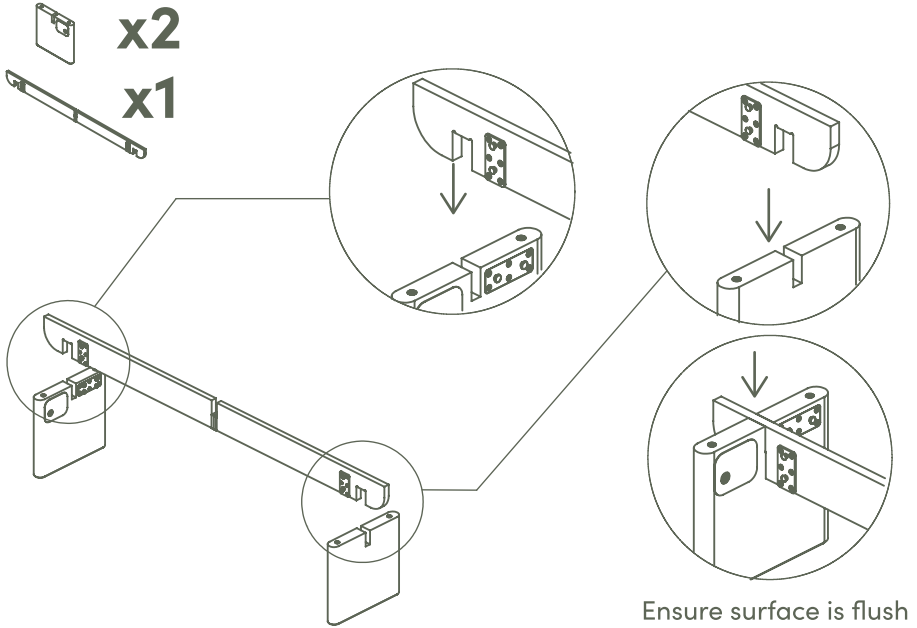


NOTE - Do not remove u-clip from any of the panels

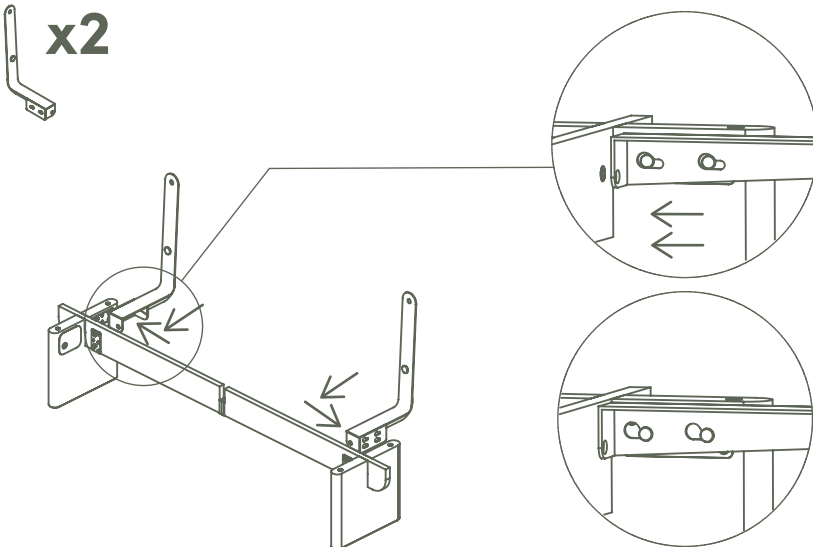
Lay out all parts in the desired orientation for the room



1. Slot head-end legs onto the end support panel

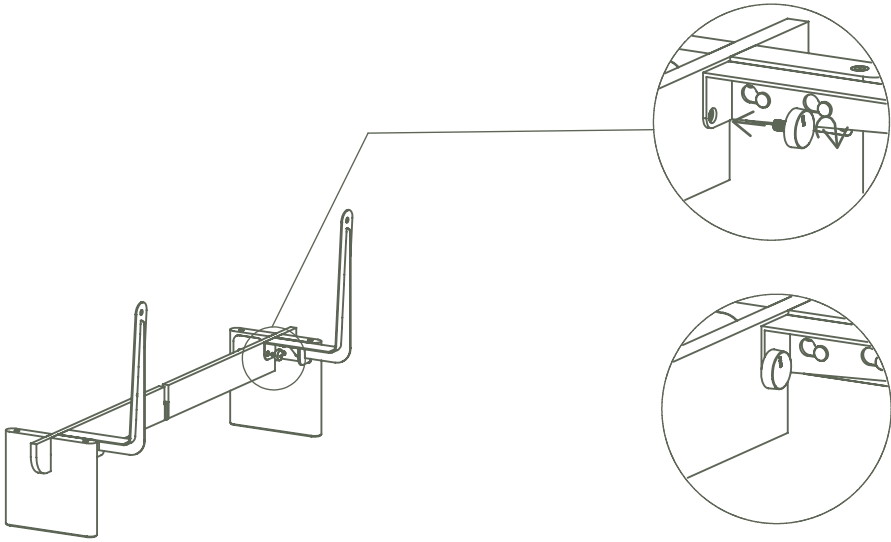


2. Attach the bedhead brackets onto the end support panel



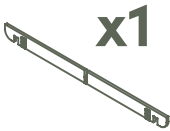
3. Fasten the bedhead brackets to the end support panel using the gumnuts

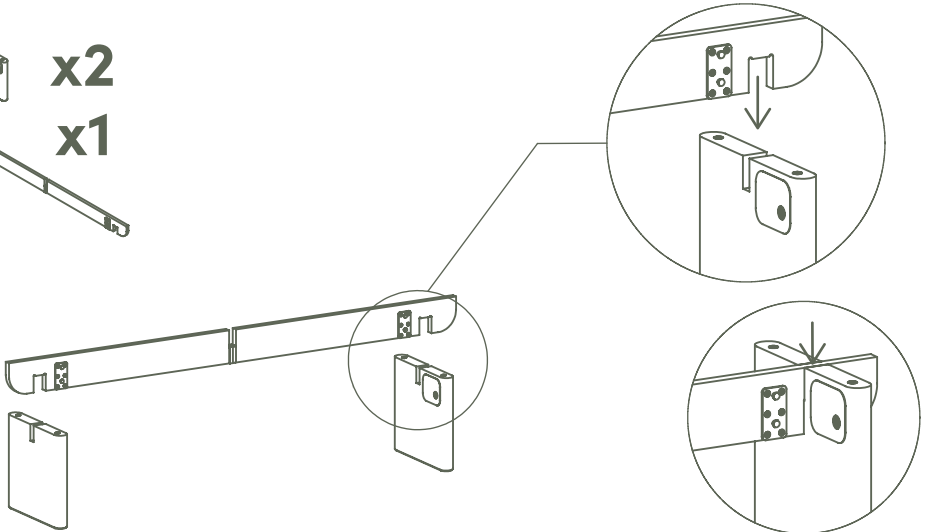
 **x2**



4. Slot the end panel to the foot-end legs

 **x2**

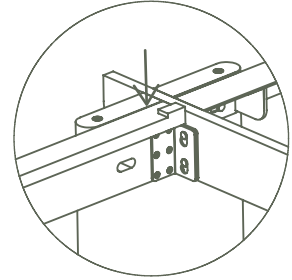
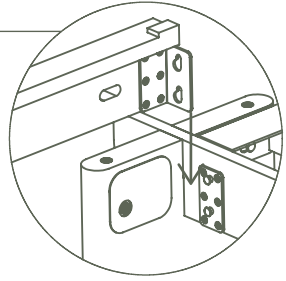
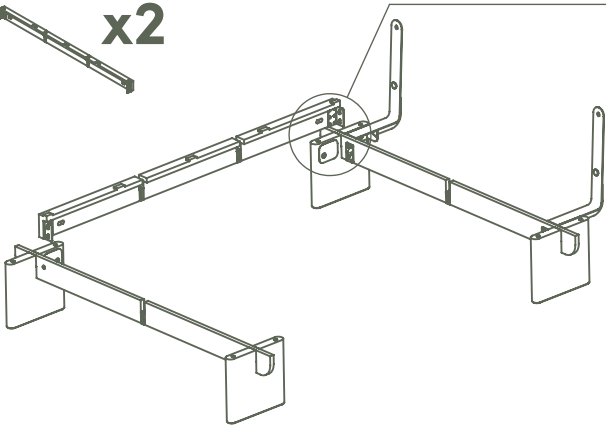
 **x1**



Ensure surface is flush

- 5.** Attach the side support panel using the metal brackets.
Repeat for other side

 **x2**



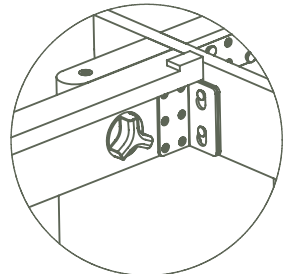
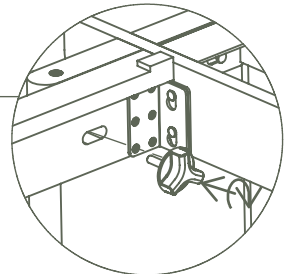
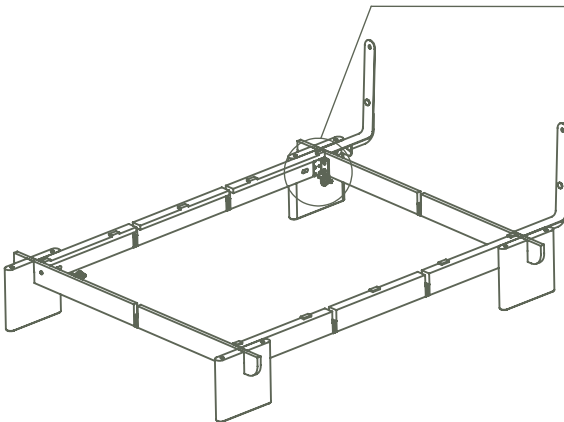
Ensure surface is flush



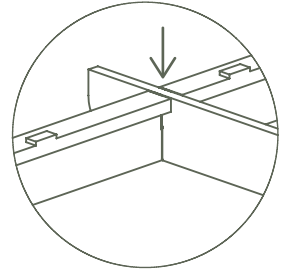
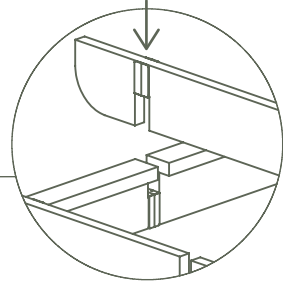
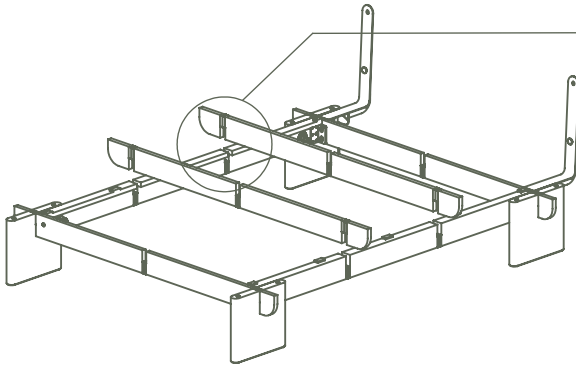
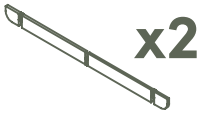
NOTE - Ensure felt pads are facing inwards

-
- 6.** Fasten the side panel to the legs using the gumnuts

 **x4**

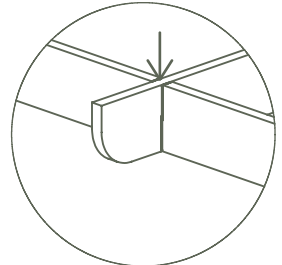
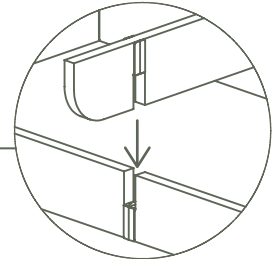
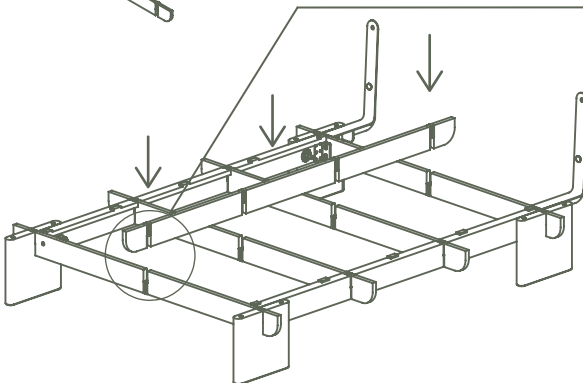
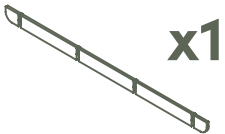


7. Slot the middle support frames to the side support panels



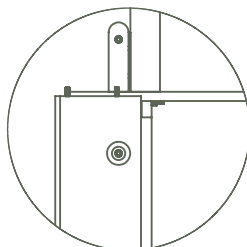
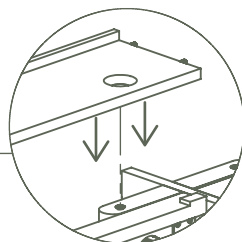
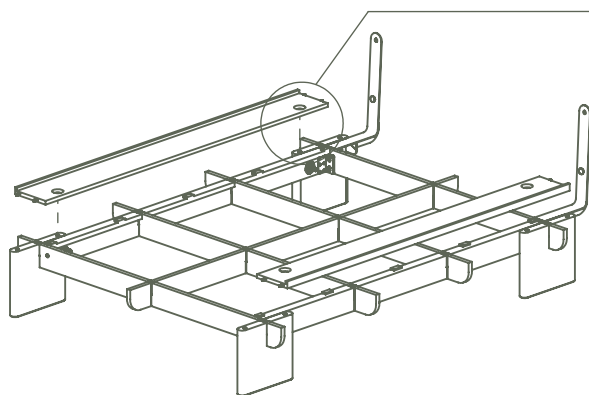
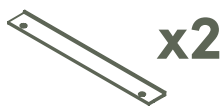
Ensure surface is flush

8. Slot the centre support frames to the middle support frames

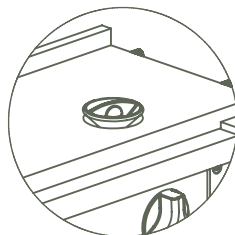
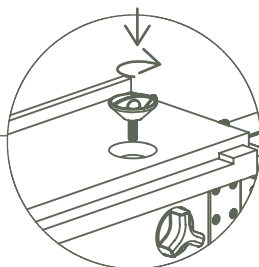
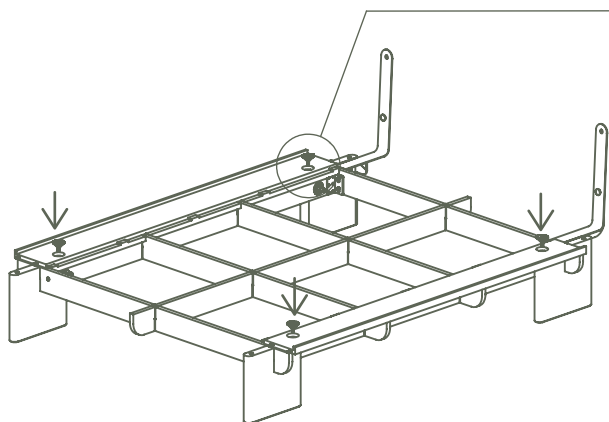


Ensure surface is flush

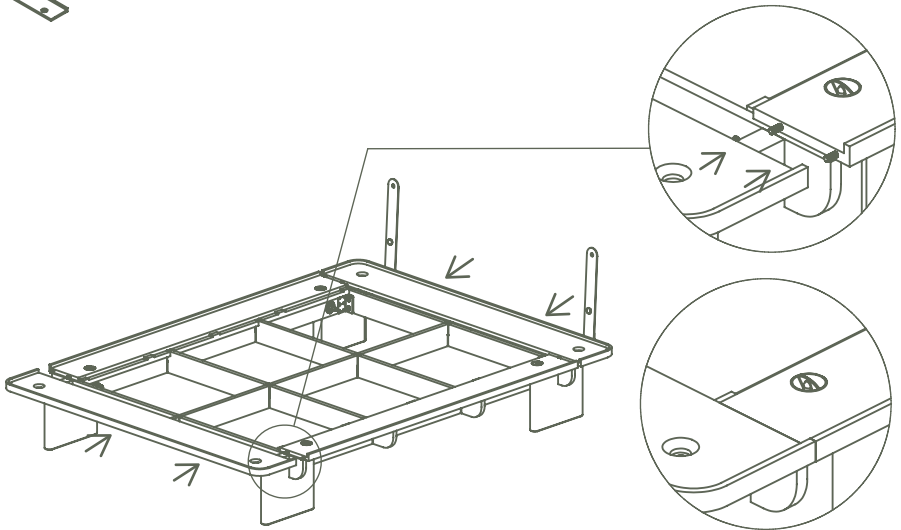
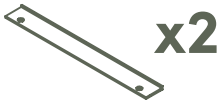
9. Lower side platforms into position and align the holes



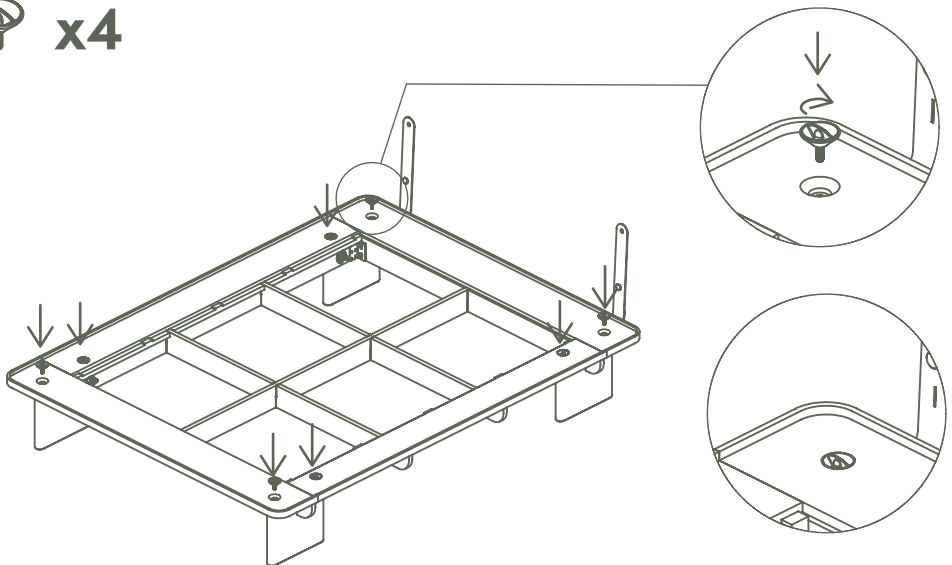
10. Loosely screw in the tapered gumnuts



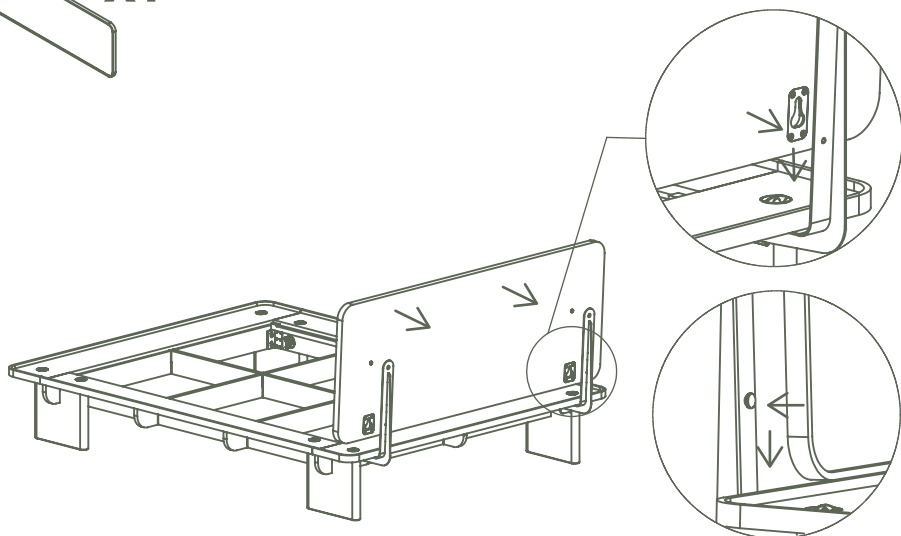
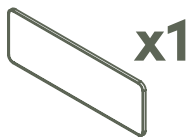
- 11.** Attach the end platforms to the head and foot of the bed by aligning the dowels to the holes



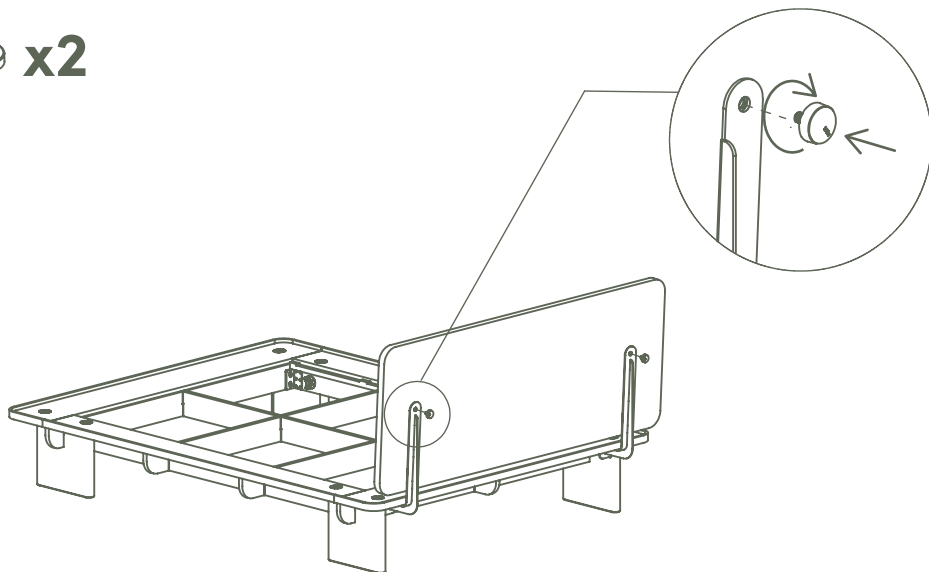
- 12.** Fasten the remaining gumnuts firmly



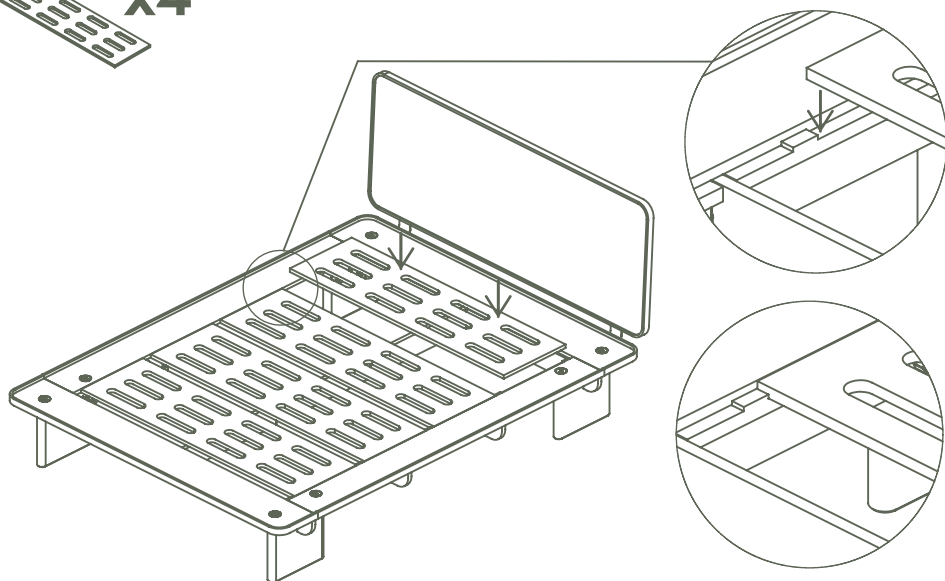
13. Mount the headboard onto the bedhead support by slotting in the bottom brackets and push down firmly



14. Fasten the bedhead using the bedhead gumnuts provided



15. Place the base platforms into the frame by aligning with the grooves on the side rail



Product Information and Care

TIMBER

Regular Care (Weekly)

- Dust surface with a dry cloth or duster in the direction of the natural grain.
- Protect from direct sunlight.
- Do not place hot objects directly into the surface of the table.

Cleaning

- Treat spills as soon as possible, wipe down with clean dry cloth.
- Do not use abrasive cloths, concentrated detergents, silicon based wood polishes.

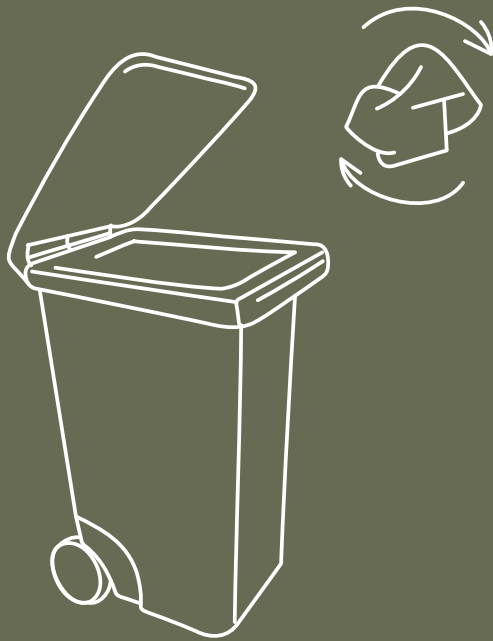
Good to Know

- Timber is a natural product and there will be variation in grain, colour and features such as knots. Over time the colour of timber will naturally change.

USING THE BED

Weight Capacity

- Although we don't provide a specific weight limit on our beds because everyone uses them differently, we've put this bed through its paces with rigorous testing of key components up to 240kg static weight. This does not mean the bed can not take more weight.



Don't forget to recycle.

kóala