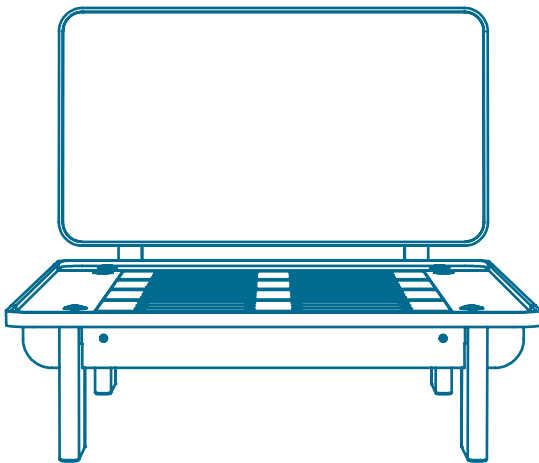


Click the button
to watch the
assembly video



**SINGLE & KING SINGLE
KIRRIBILLI BED**

koala

Click the button
to watch the
assembly video



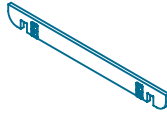
What's in the box*:

*Not to scale



x2

Head end leg



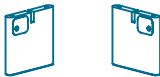
x2

End support panel



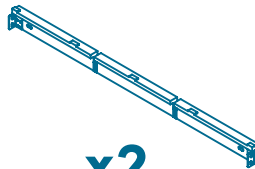
x2

Bedhead bracket



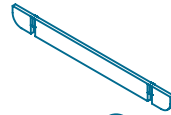
x2

Foot end Leg



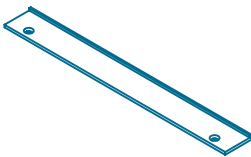
x2

Side support panel



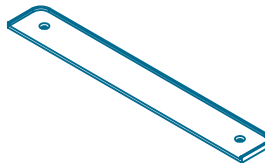
x2

Middle support frame



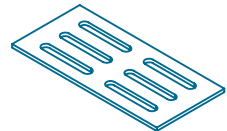
x2

Side platform



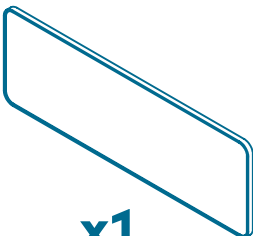
x2

End platform



x4

Base platform



x1

Bedhead



x8

Tapered
Gumnut



x4

Bedhead
Gumnut

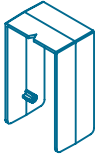


x4

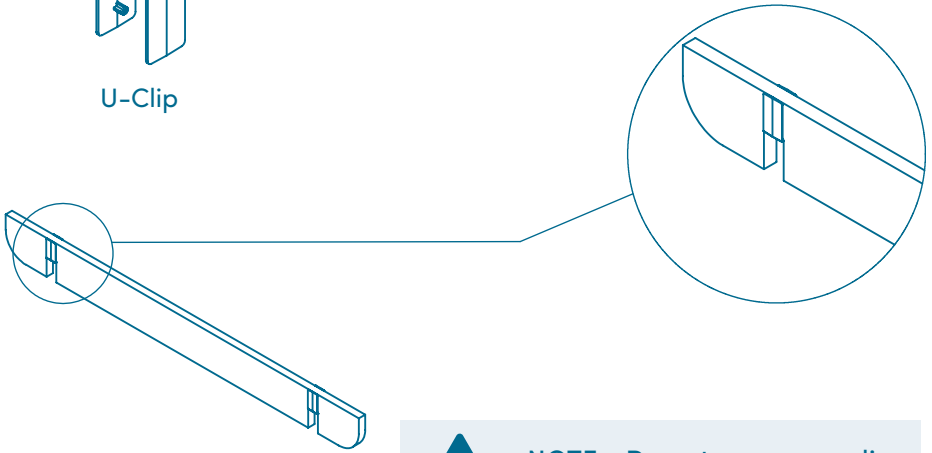
Leg Gumnut

Pre-assembly check

Click the button to watch the assembly video

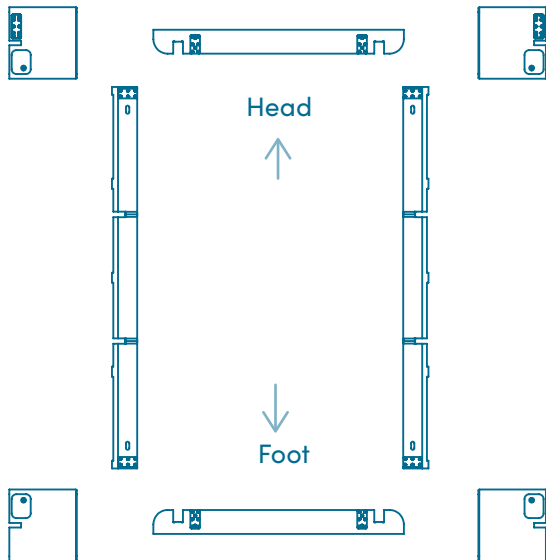


U-Clip



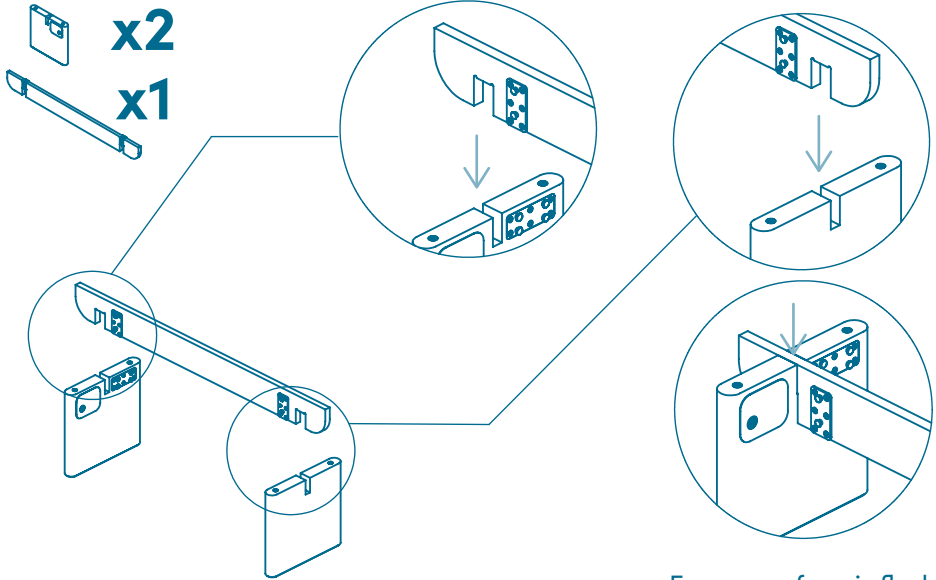
NOTE - Do not remove u-clip from any of the panels

Lay out all parts in the desired orientation for the room

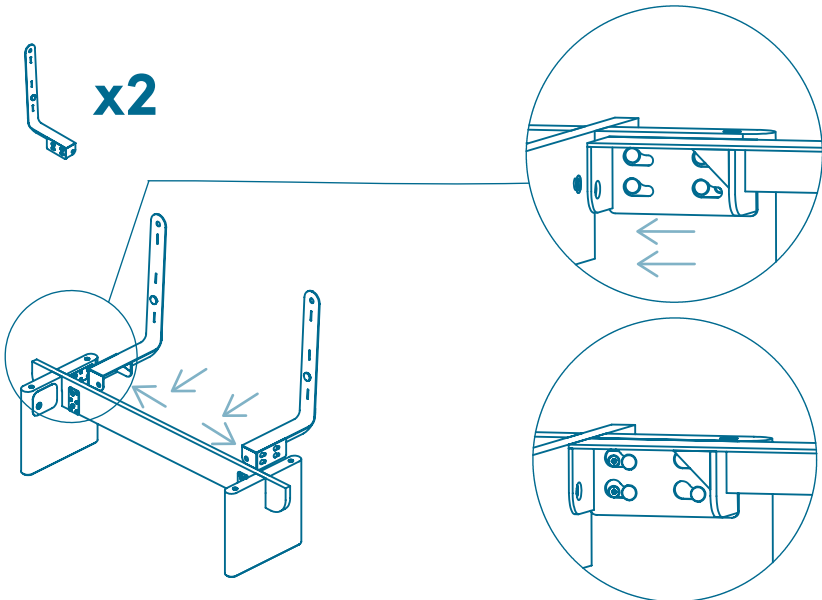


1. Slot head-end legs onto the end support panel

Click the button to watch the assembly video

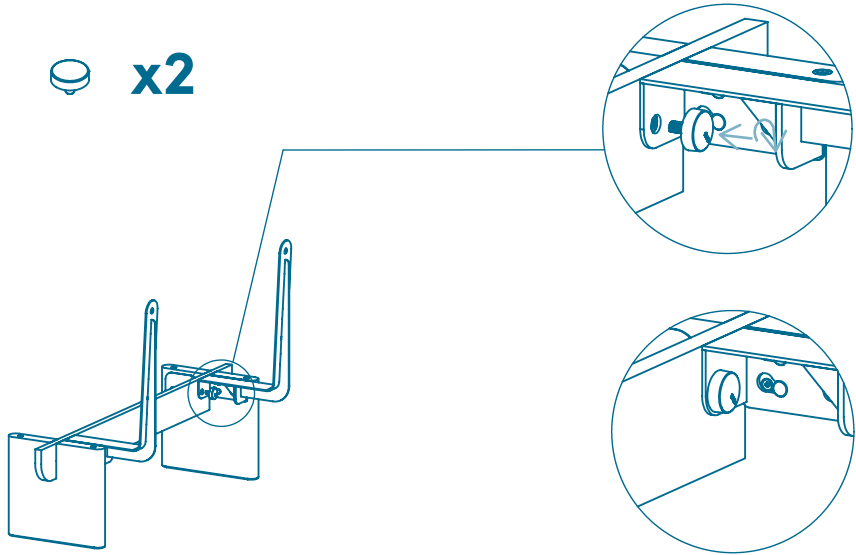


2. Attach the bedhead brackets onto the end support panel

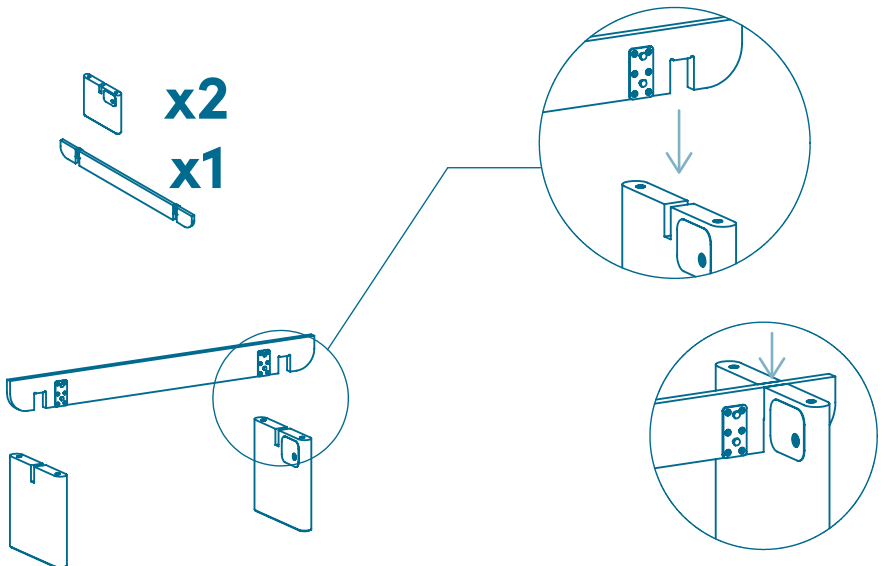


3. Fasten the bedhead brackets to the end support panel using the Gumnuts

Click the button to watch the assembly video



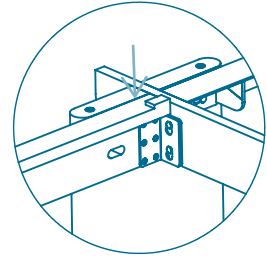
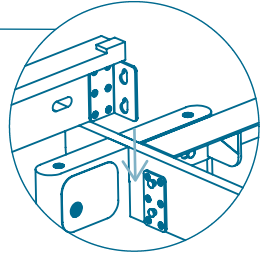
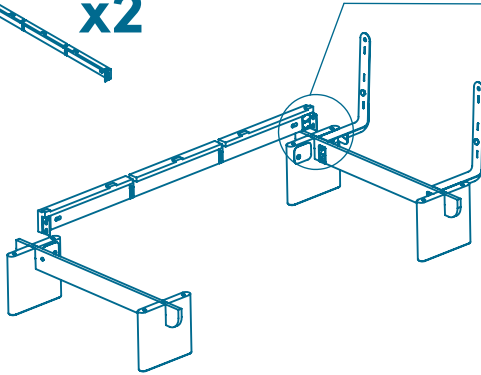
4. Slot the end panel to the foot-end legs



Ensure surface is flush

- 5.** Attach the side support panel using the metal brackets. repeat for other side

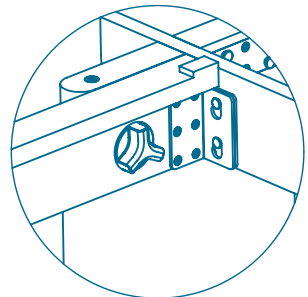
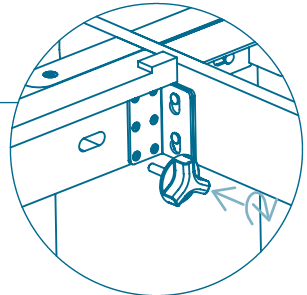
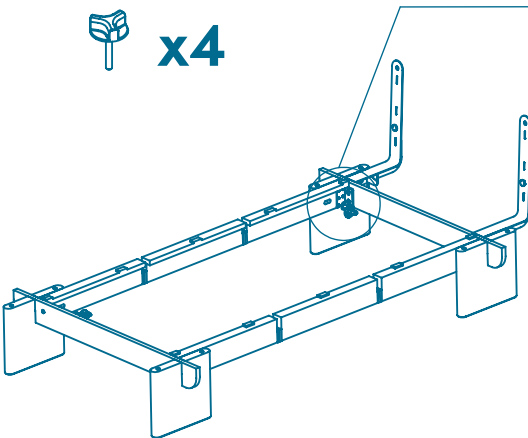
Click the button to watch the assembly video



NOTE - Ensure felt pads are facing inwards

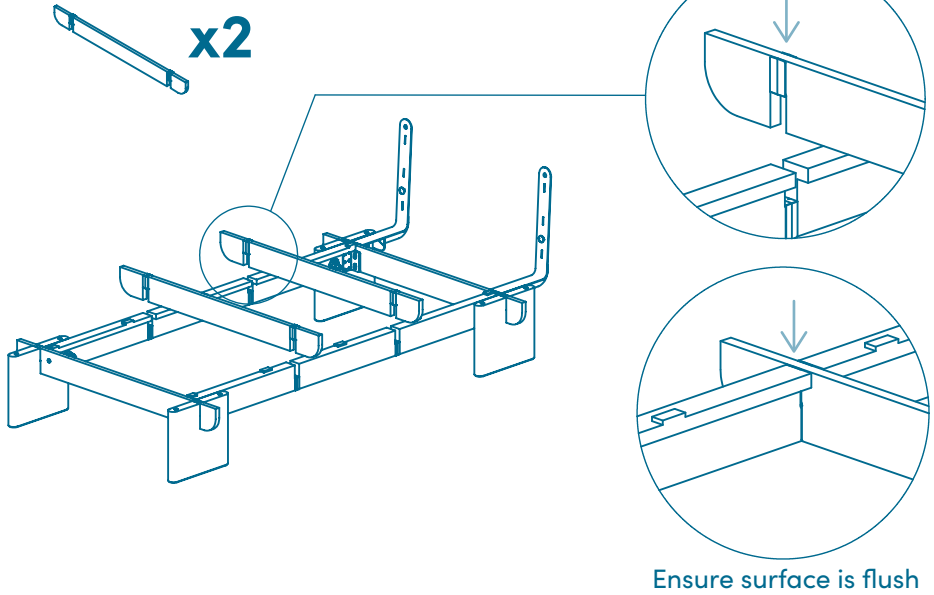
Ensure surface is flush

- 6.** Fasten the side panel to the legs using the Gumnuts

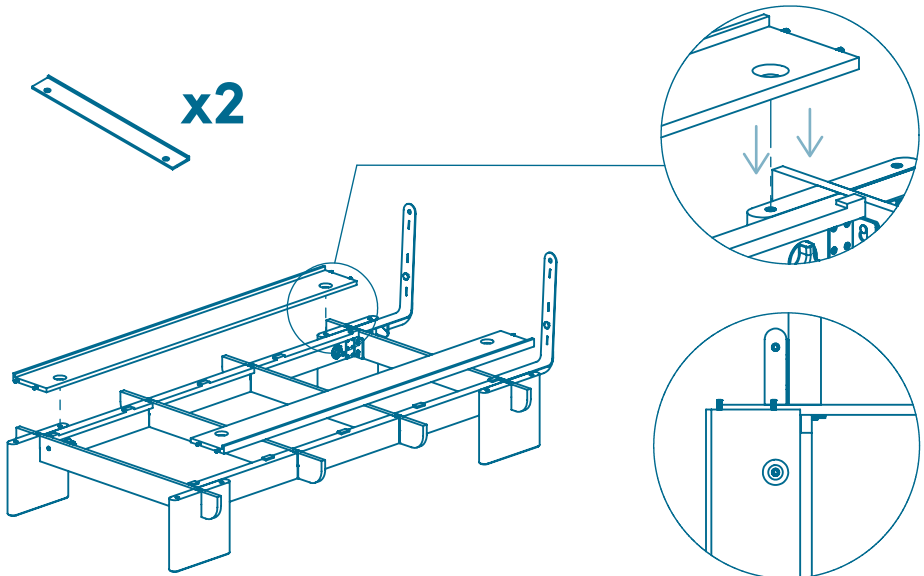


7. Slot the middle support frame to the side support panels

Click the button to watch the assembly video



8. Lower side platform into position and align the holes



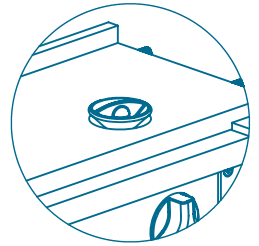
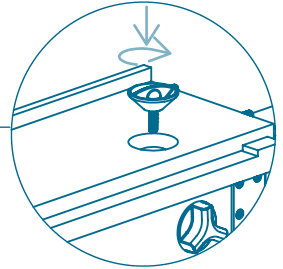
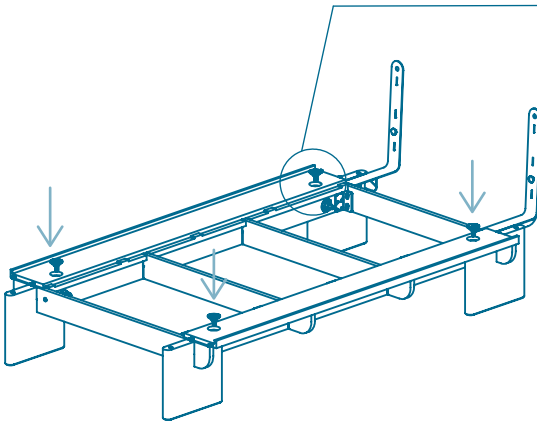
9.

Loosely screw in the tapered Gumnuts

Click the button
to watch the
assembly video



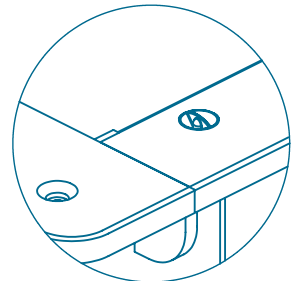
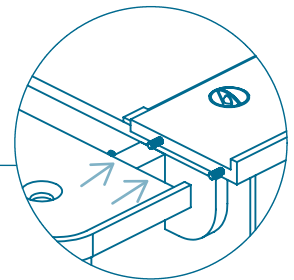
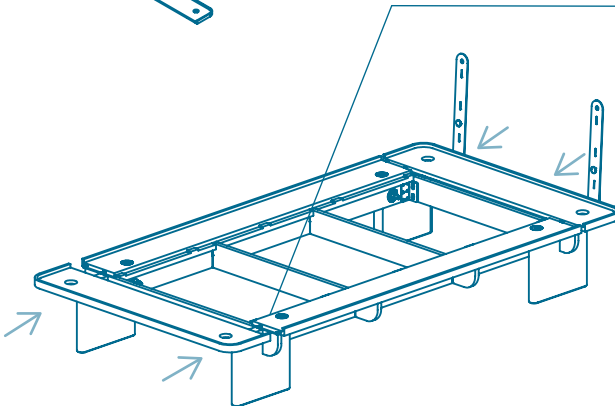
 x4



10.

Attach the end platforms to the head and foot of the bed by aligning the dowels to the holes

 x2

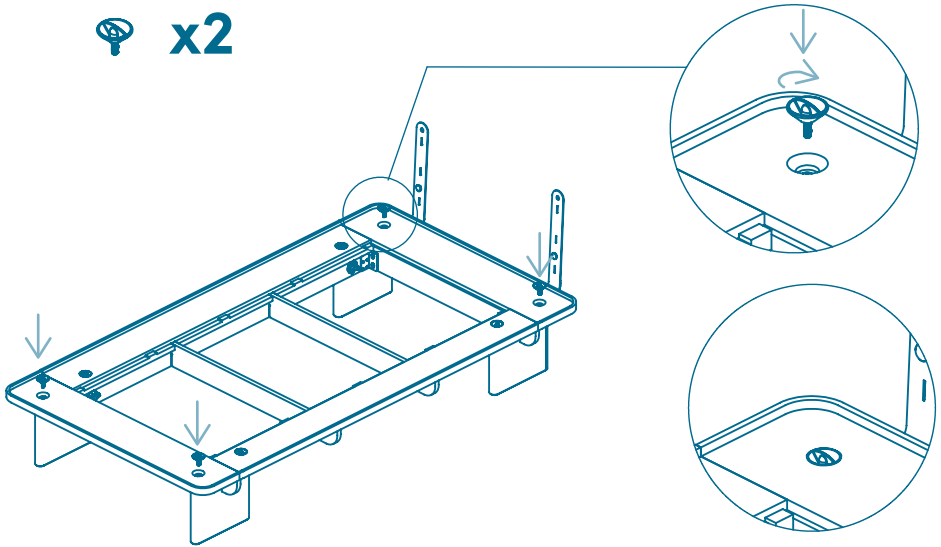


11. Fasten the remaining Gumnuts firmly

Click the button to watch the assembly video

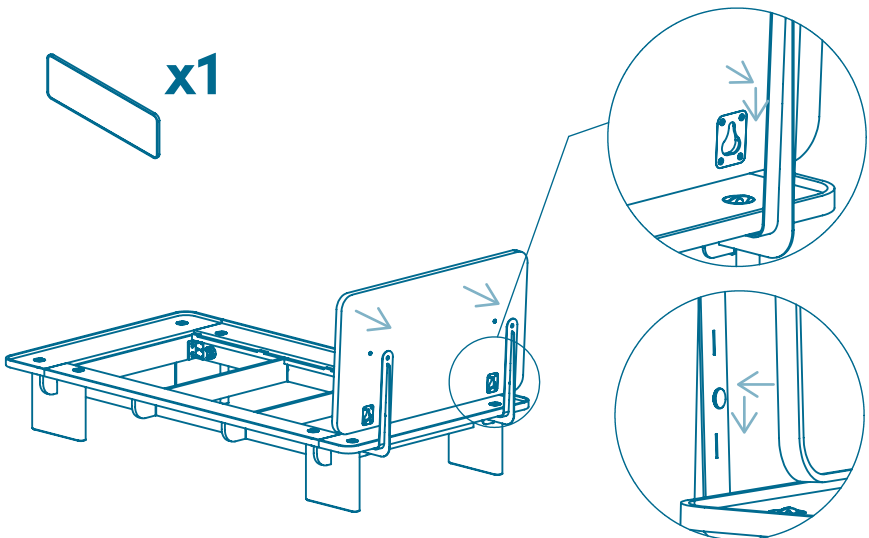


 x2



12. Mount the headboard onto the bedhead support by slotting in the bottom brackets and push down firmly

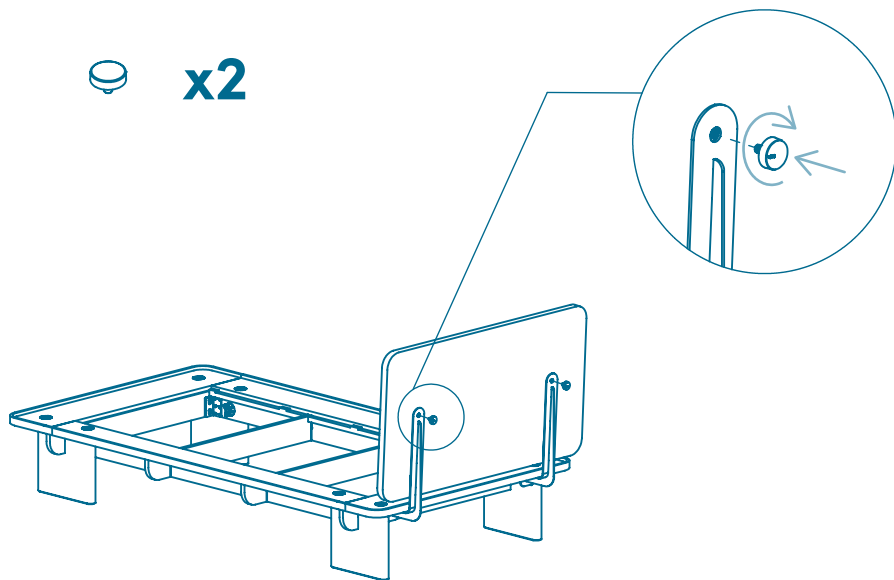
 x1



13.

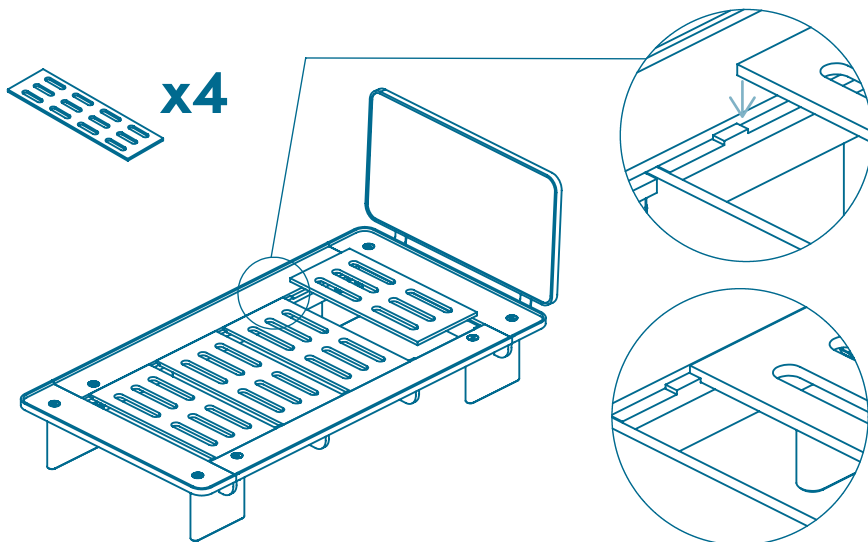
Fasten the bedhead using the bedhead Gumnuts provided

Click the button to watch the assembly video

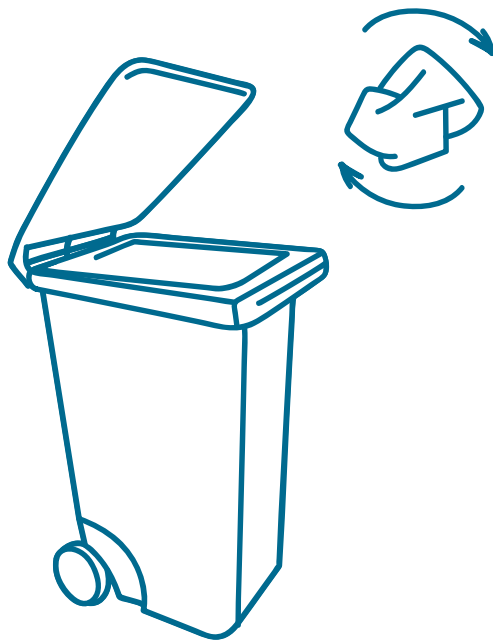


14.

Place the base platforms into the frame by aligning with the grooves on the side rail



Click the button
to watch the
assembly video



don't forget to recycle.

ko'ala