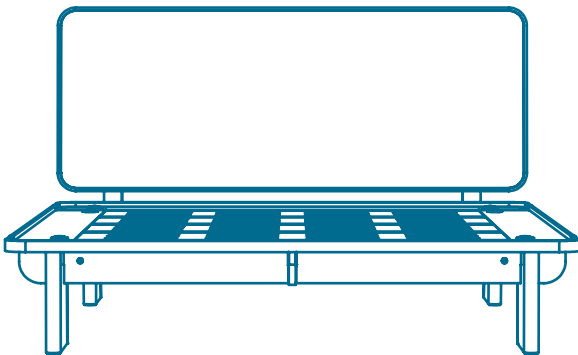


Click the button
to watch the
assembly video



**DOUBLE & QUEEN
KIRRIBILLI BED**

Ko'ala

Click the button
to watch the
assembly video



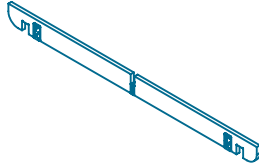
What's in the box*:

*Not to scale



x2

Head end leg



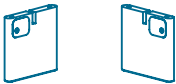
x2

End support panel



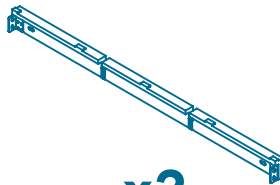
x2

Bedhead bracket



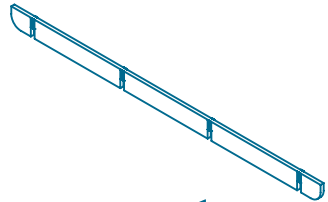
x2

Foot end leg



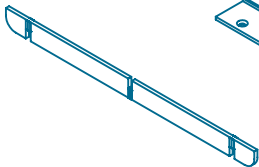
x2

Side support panel



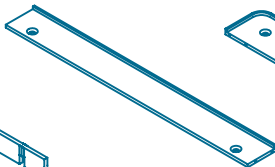
x1

Centre support frame



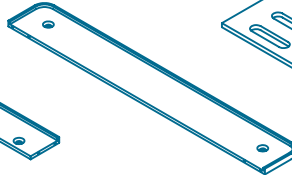
x2

Middle support frame



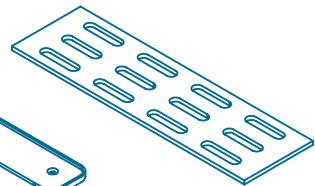
x2

Side platform



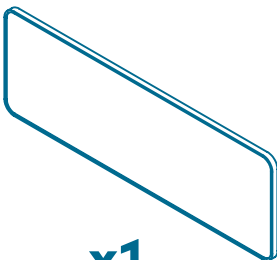
x2

End platform



x4

Base platform



x1

Bedhead



x8

Tapered
Gumnut



x4

Bedhead
Gumnut

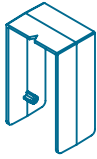


x4

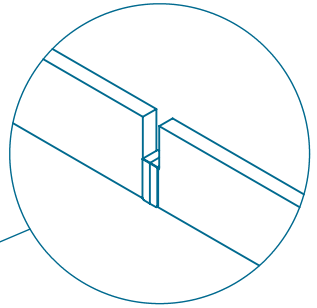
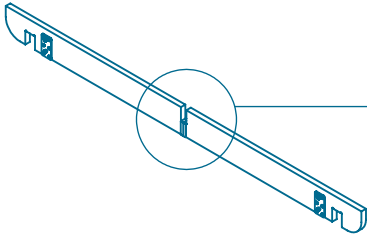
Leg Gumnut

Pre-assembly check

Click the button
to watch the
assembly video

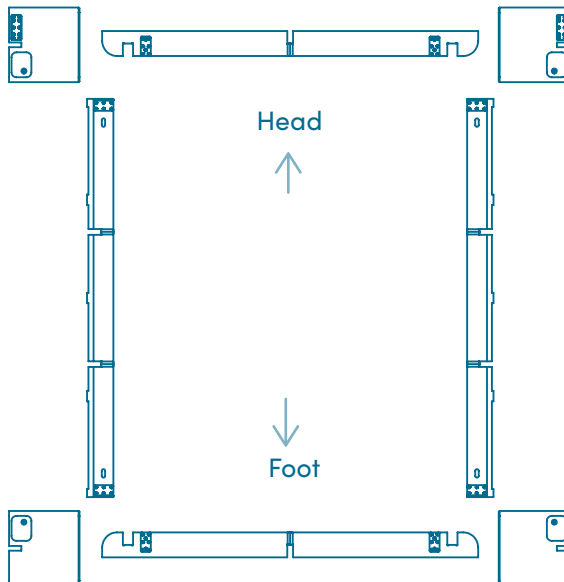


U-Clip



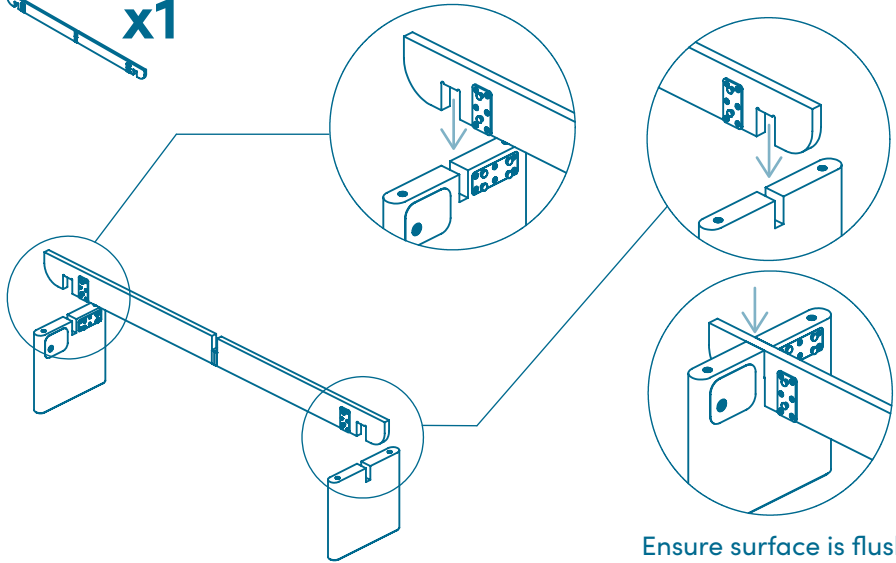
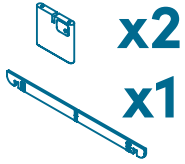
**NOTE - Do not remove u-clip
from any of the panels**

Lay out all parts in the desired orientation for the room

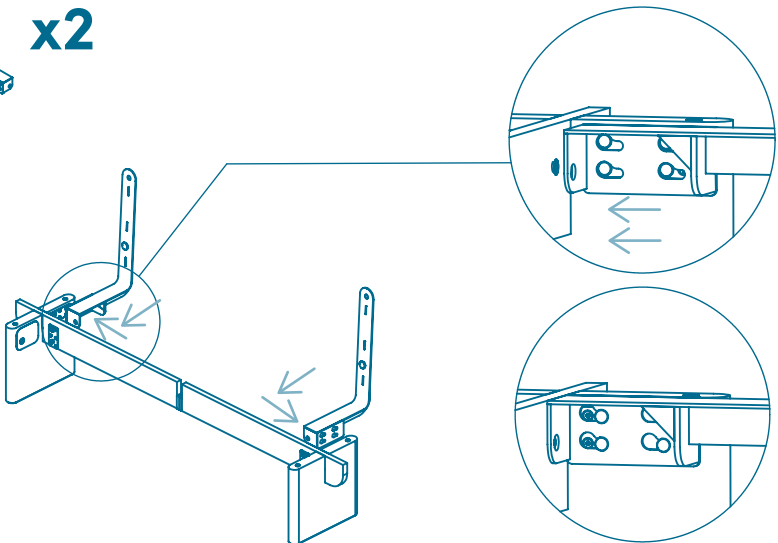


1. Slot head-end legs onto the end support panel

Click the button to watch the assembly video



2. Attach the bedhead brackets onto the end support panel

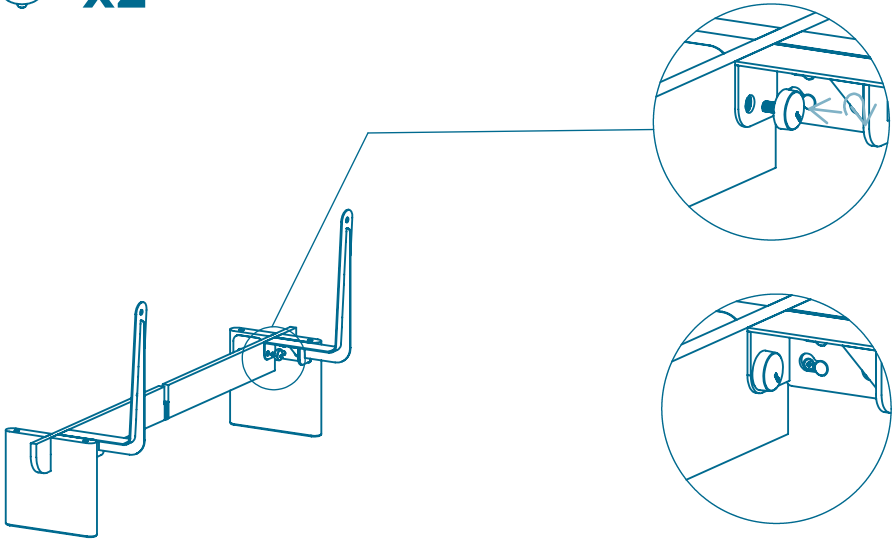


3. Fasten the bedhead brackets to the end support panel using the Gumnuts



Click the button to watch the assembly video

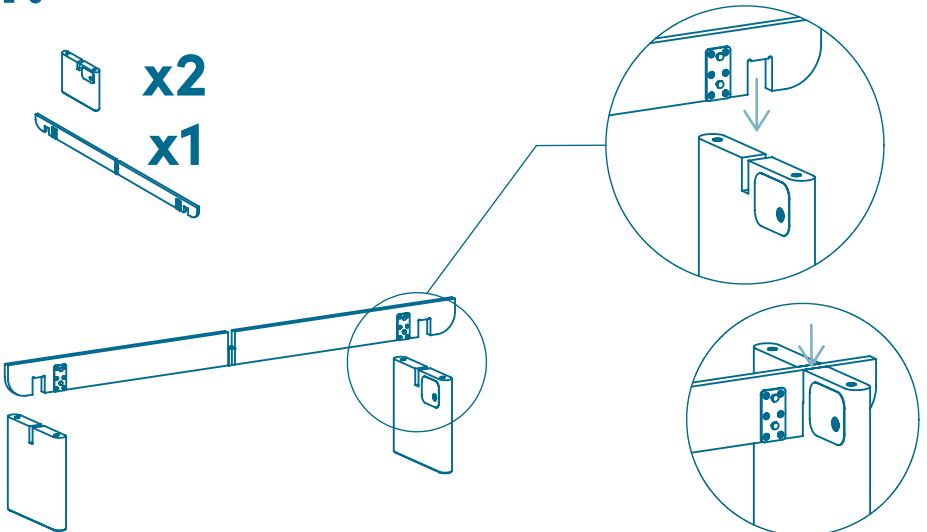


 **x2**



4. Slot the end panel to the foot-end legs

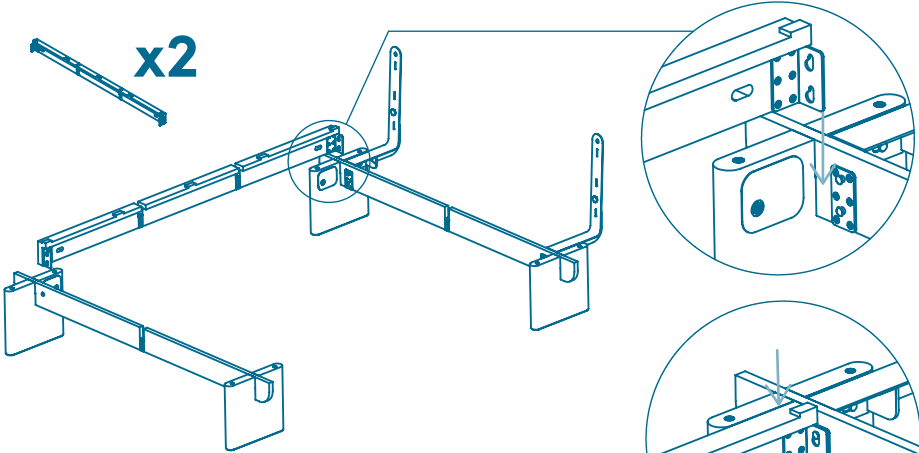
 **x2**
 **x1**



Ensure surface is flush

5. Attach the side support panel using the metal brackets.
repeat for other side

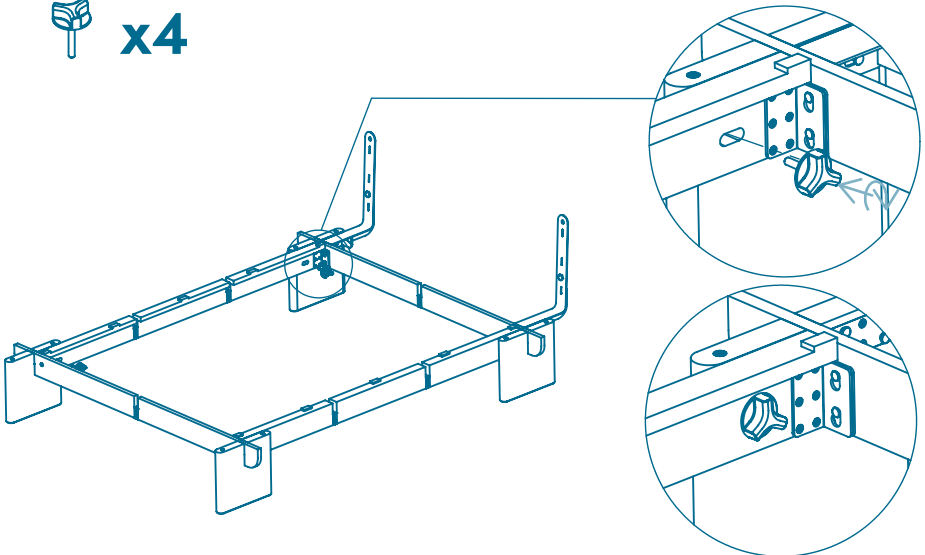
Click the button
to watch the
assembly video



NOTE - Ensure felt pads are facing inwards

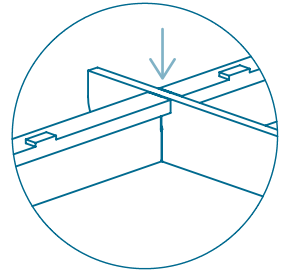
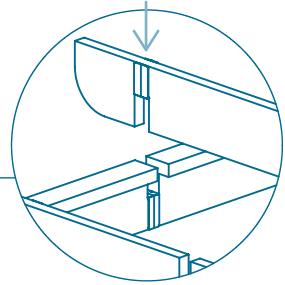
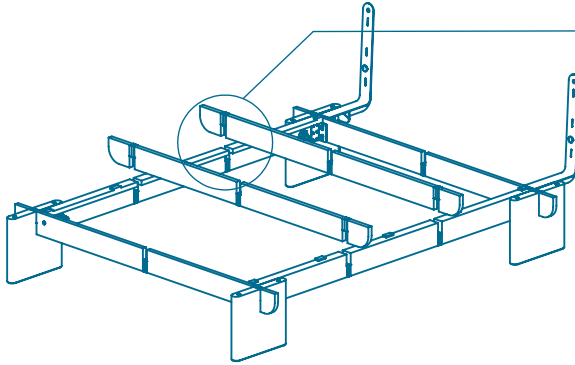
Ensure surface is flush

6. Fasten the side panel to the legs using the Gumnuts



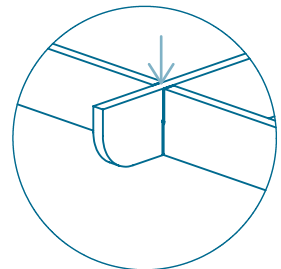
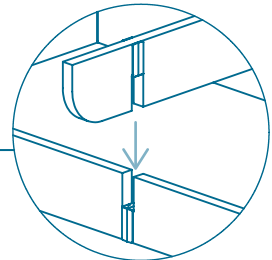
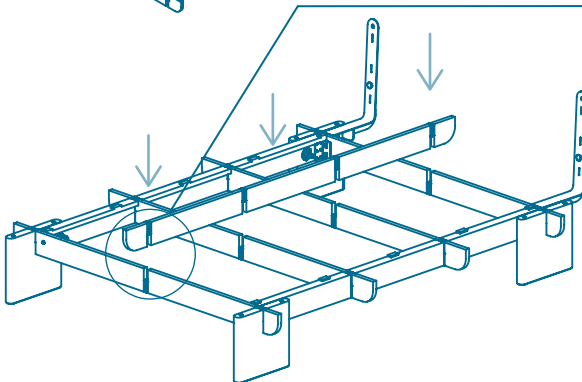
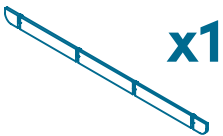
7. Slot the middle support frames to the side support panels

Click the button to watch the assembly video



Ensure surface is flush

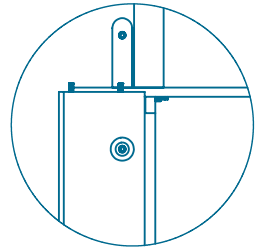
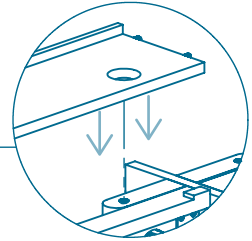
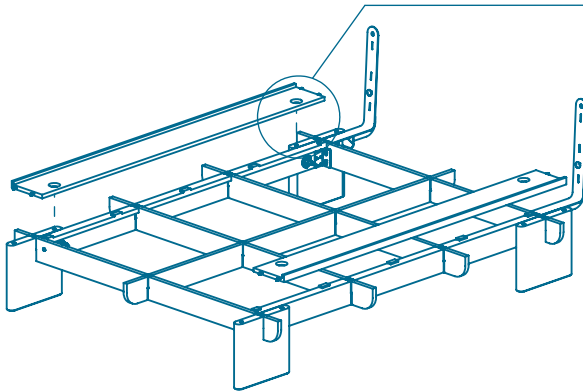
8. Slot the centre support frame to the middle support frames



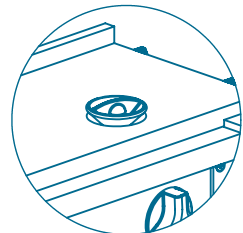
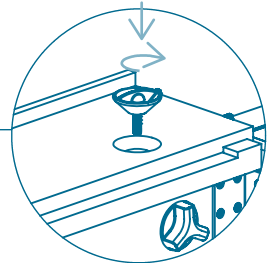
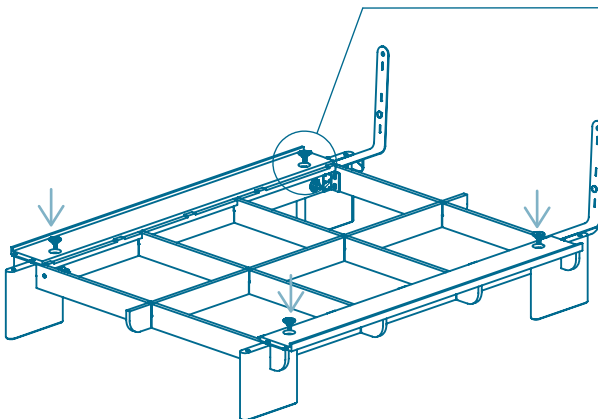
Ensure surface is flush

9. Lower side platforms into position and align the holes

Click the button to watch the assembly video

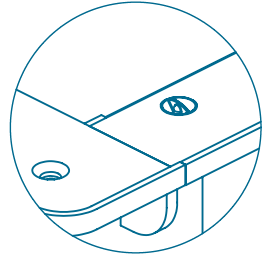
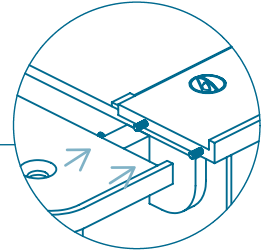
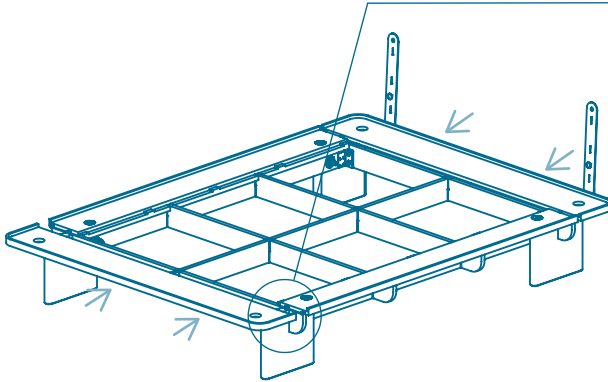


10. Loosely screw in the tapered Gumnuts

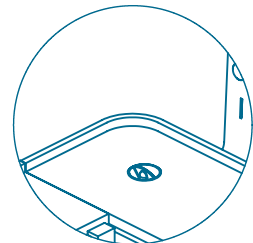
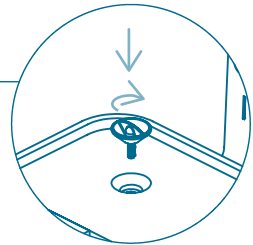
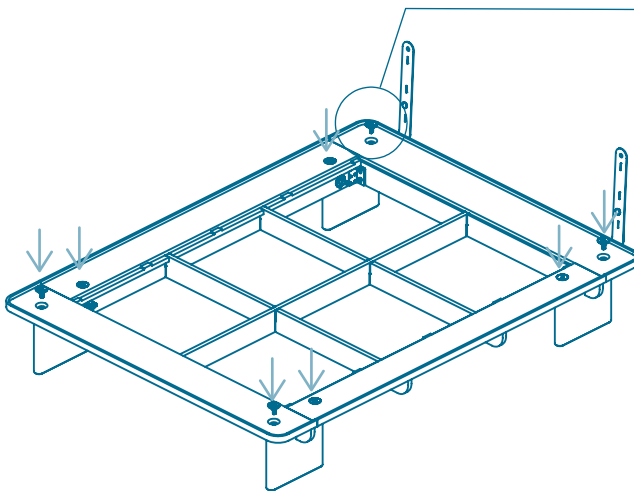


11. Attach the end platforms to the head and foot of the bed by aligning the dowels to the holes

Click the button to watch the assembly video

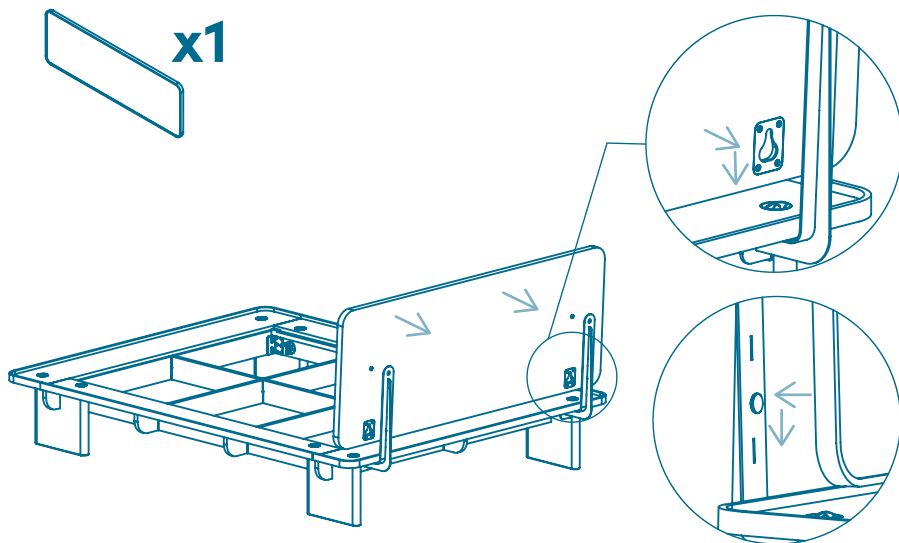


12. Fasten the remaining Gumnuts firmly



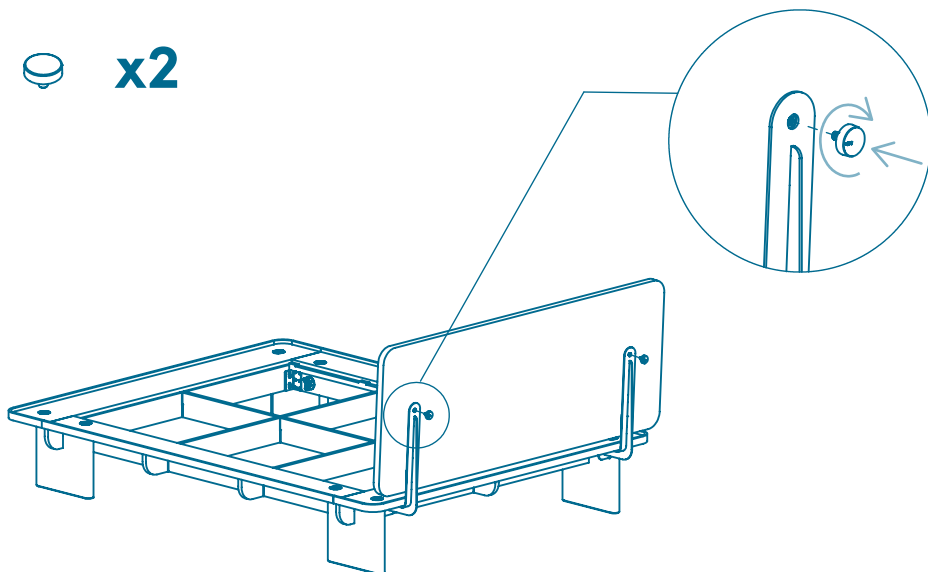
13. Mount the headboard onto the bedhead support by slotting in the bottom brackets and push down firmly

Click the button
to watch the
assembly video



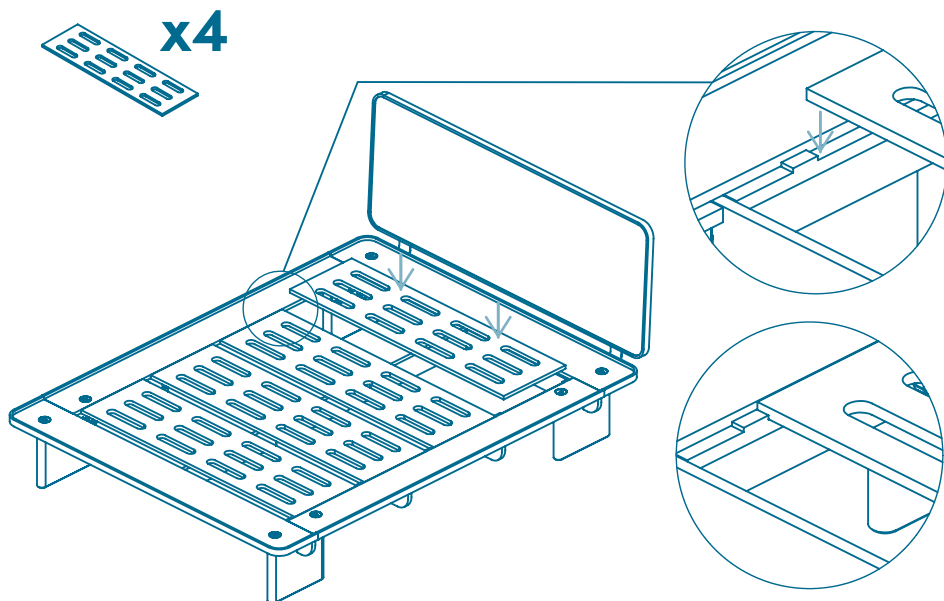
14. Fasten the bed head using the bedhead Gumnuts provided

 **x2**

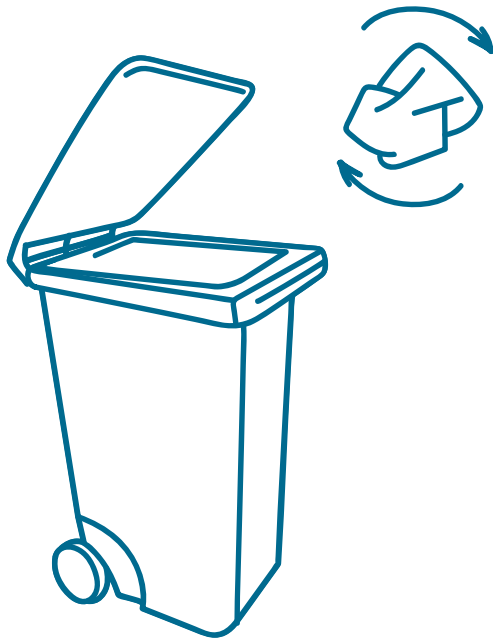


15. Place the base platforms into the frame by aligning with the grooves on the side rail

Click the button to watch the assembly video



Click the button
to watch the
assembly video



don't forget to recycle.

koala