

JOEY
by kóala

JOEY BED INSTRUCTION GUIDE

WARNING

PLEASE READ ALL INSTRUCTIONS BEFORE ASSEMBLY AND USE OF PRODUCT.

RETAIN THE ASSEMBLY INSTRUCTIONS FOR FUTURE REFERENCE: READ CAREFULLY.

DO NOT REMOVE THE WARNING LABEL FROM THE BED. THE ASSEMBLY OF PRODUCT REQUIRES TWO PEOPLE. FAILURE TO FOLLOW INSTRUCTIONS COULD LEAD TO SERIOUS INJURY OR DEATH.

ASSEMBLY WARNINGS

WARNING: DO NOT USE THE BED IF ANY PARTS ARE BROKEN, TORN OR MISSING AND USE ONLY SPARE PARTS APPROVED BY THE MANUFACTURER.

WARNING: ALL ASSEMBLY FITTINGS SHOULD ALWAYS BE TIGHTENED PROPERLY AND FITTINGS SHOULD BE CHECKED REGULARLY AND RE-TIGHTENED AS NECESSARY.

WARNING: DO NOT USE POWER DRILLS OR DRIVERS.

GUARDRAIL WARNINGS

WARNING: GUARDRAIL SHOULD BE CHECKED AND TIGHTENED PERIODICALLY TO ENSURE IT IS SECURE.

WARNING: GUARDRAIL IS DESIGNED FOR THE MATTRESS WITH MAXIMUM HEIGHT NO MORE THAN 16CM.

USE MATTRESS RECOMMENDED WITH THE JOEY BED.

WARNING: INTENDED TO BE USED ONLY AS A GUARDRAIL AS SPECIFIED IN ASSEMBLY INSTRUCTIONS. THIS IS NOT A TOY.

WARNING: DO NOT ALLOW JUMPING ON OR AROUND THE BED BASE, ESPECIALLY WHEN THE GUARDRAIL IS INSTALLED AS IT CAN CAUSE SERIOUS INJURIES.

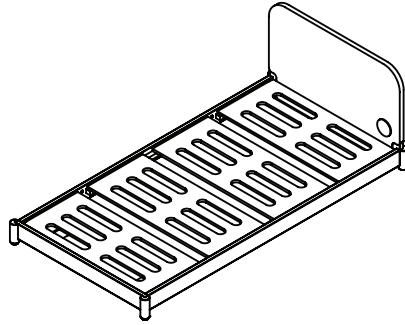
WE RECOMMEND TO USE THE GUARDRAIL ONLY DURING SLEEP TIME.

PRODUCT INFORMATION

THIS BED HAS BEEN ENDORSED AND APPROVED BY INFANT & NURSERY PRODUCTS ALLIANCE OF AUSTRALIA (INPAA).

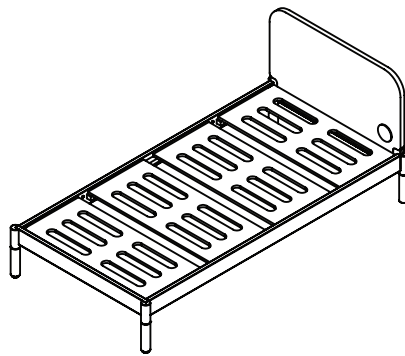


Configuration



A. Low Configuration

Scan the QR code to watch the
assembly video for low configuration

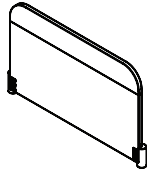


B. High Configuration

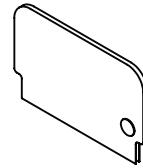
Scan the QR code to watch the
assembly video for high configuration



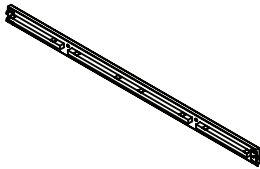
What's in the box



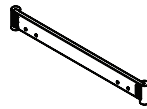
Headboard Panel x1



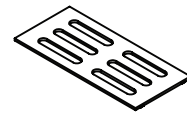
Headboard Cover x1



Side Panel x2



Foot rail x1



Slat Panel x4

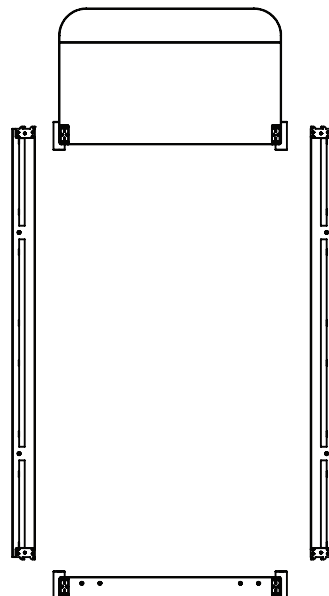


Leg Extensions x4



Foot Glide x4

Lay out the parts in the desired orientation for the room.



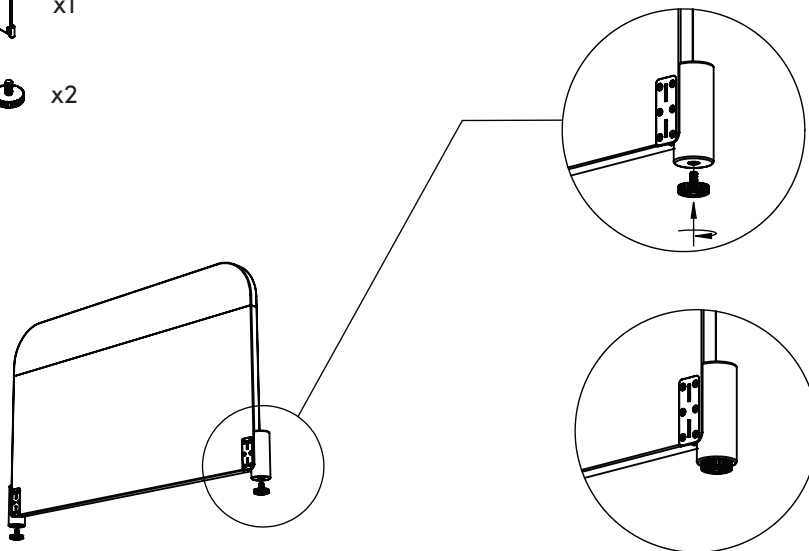
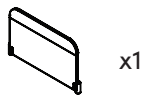
A. Low Configuration

Pre-assembly: Unscrew the foot glides from the leg extensions.



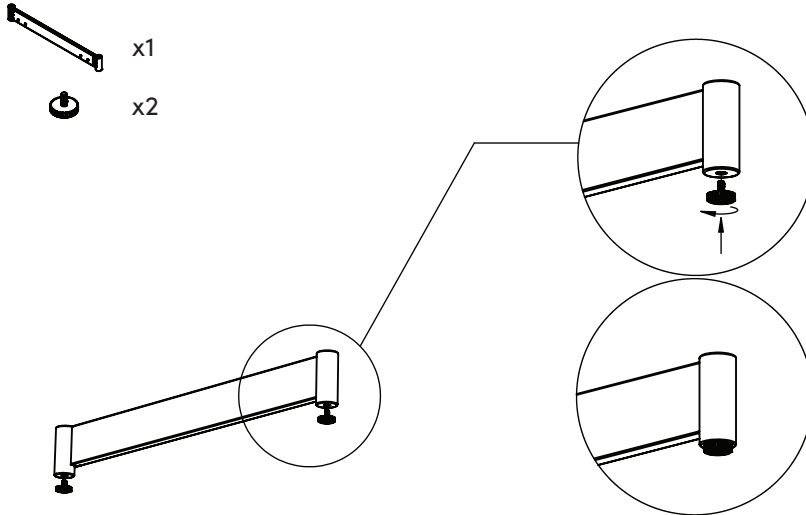
A. Low Configuration

Step 1A: Screw the foot glides into the base of the headboard.



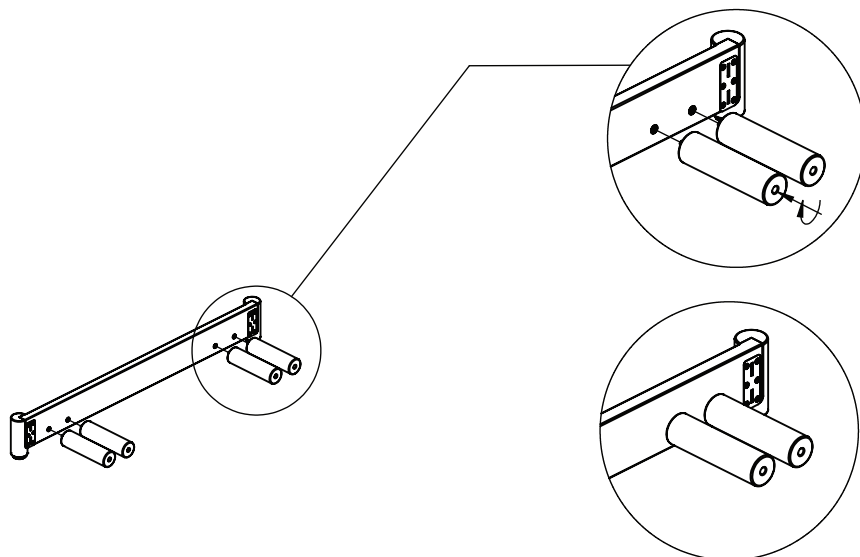
A. Low Configuration

Step 2A: Screw the foot glides into the base of the foot rail.



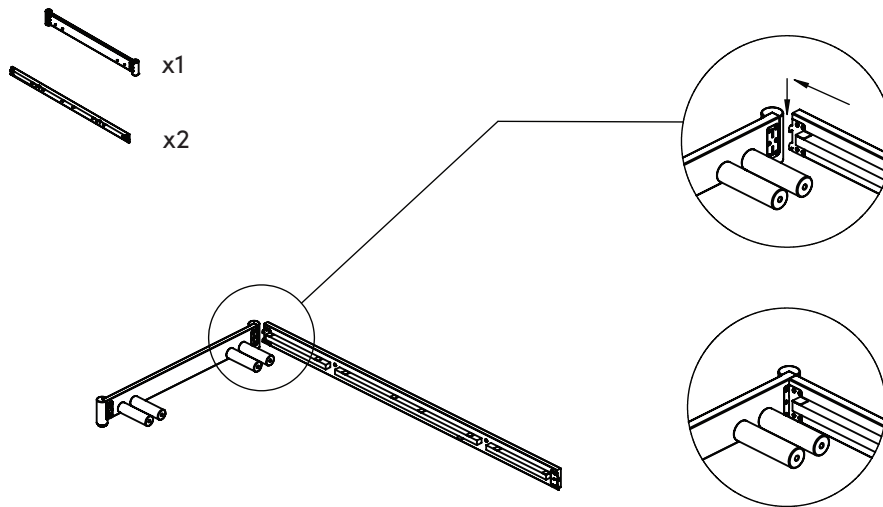
A. Low Configuration

Step 3A: Screw the leg extensions to the inside of the foot rail for storage.



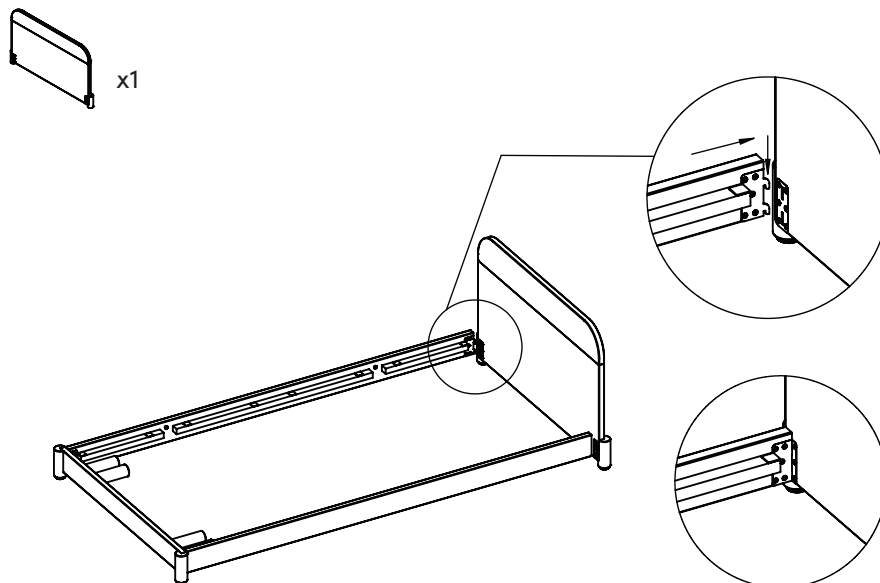
A. Low Configuration

Step 4A: Attach the side panel into the foot rail bracket and push down to secure. Repeat for the other side.



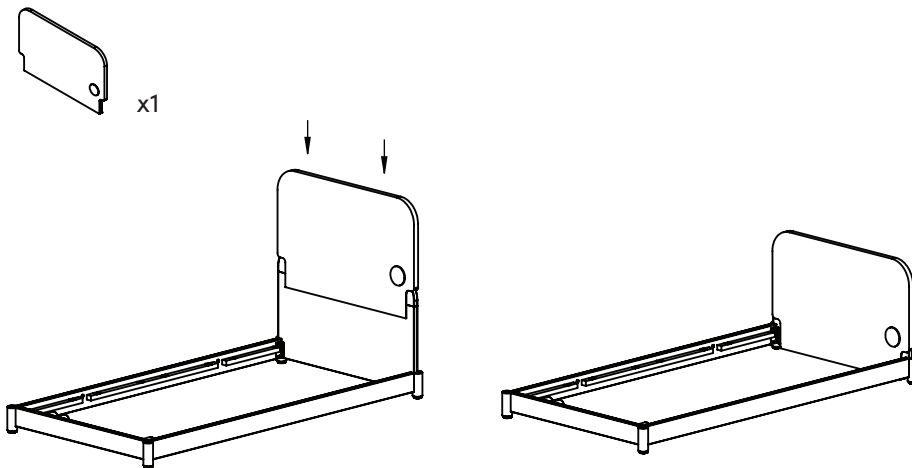
A. Low Configuration

Step 5A: Attach the side panels to the headboard.



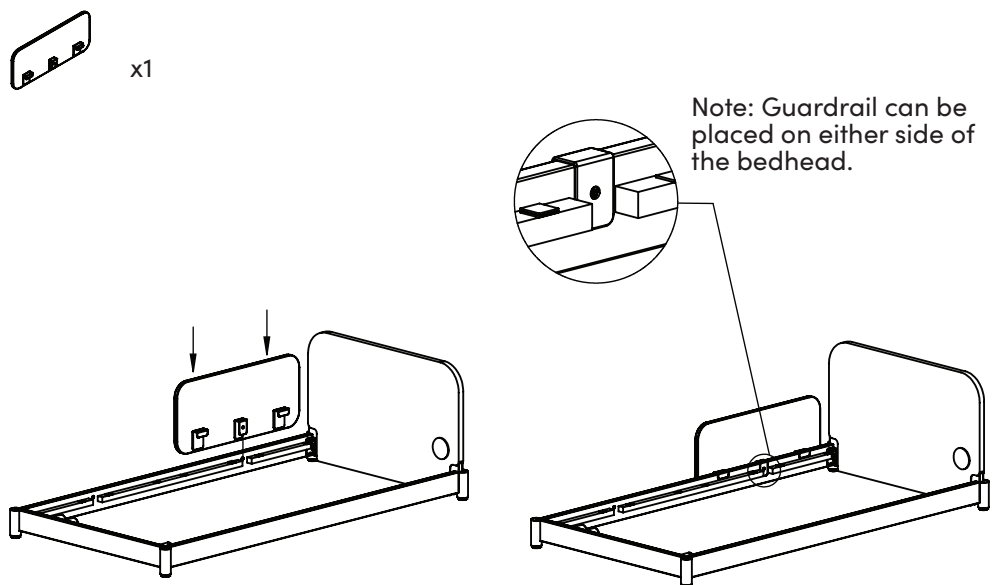
A. Low Configuration

Step 6A: Slip the cover over the headboard and secure using velcro underneath.



A. Low Configuration - Go to Step 9A if not installing Joey guard rail

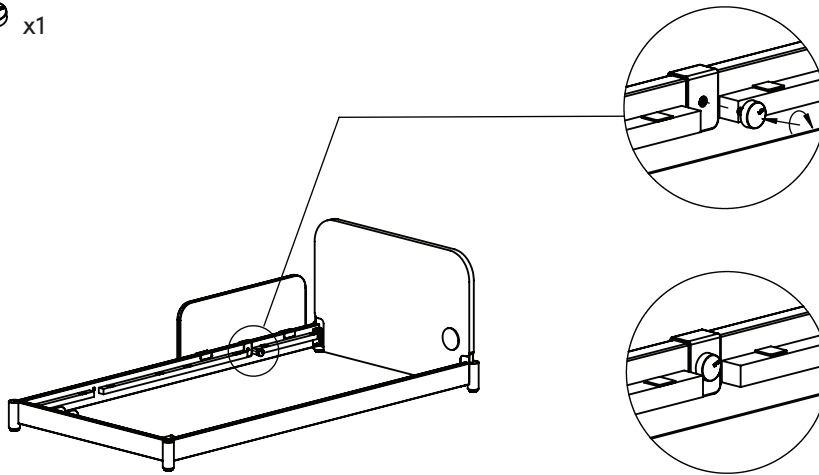
Step 7A: Slide the guardrail onto the side panel of the joey bed frame, making sure the holes align.



A. Low Configuration

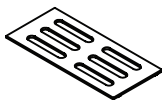
Step 8A: Secure the guard rail to the side panel using the gumnut provided.

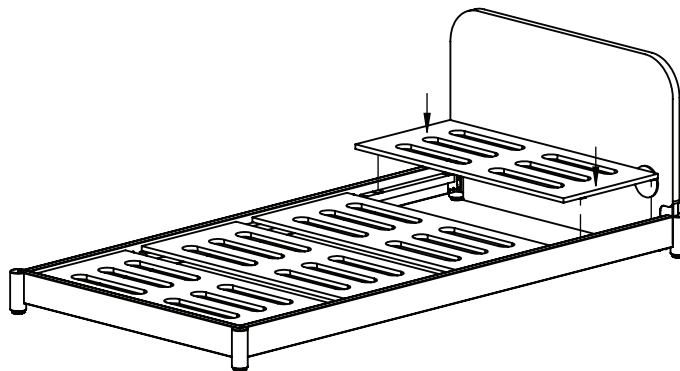
 x1



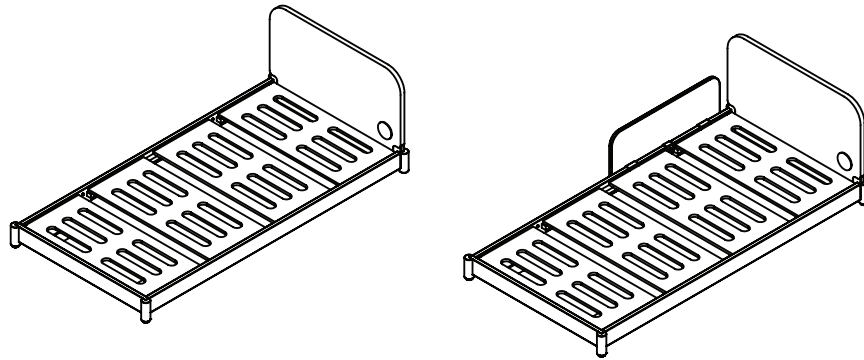
A. Low Configuration

Step 9A: Lower the slat panel onto the bed base. To secure the slat press down on the velcro firmly until you hear a click. Repeat with all slat panels.

 x4



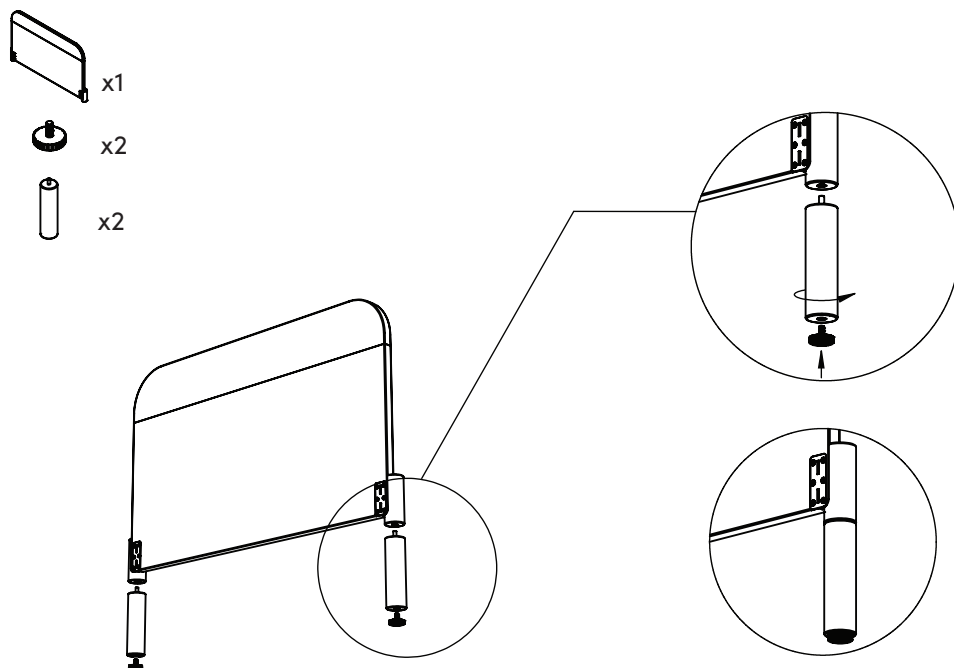
Note: All assembly fittings should always be tightened properly and fittings should be checked regularly and re-tightened as necessary.



A. Low Configuration

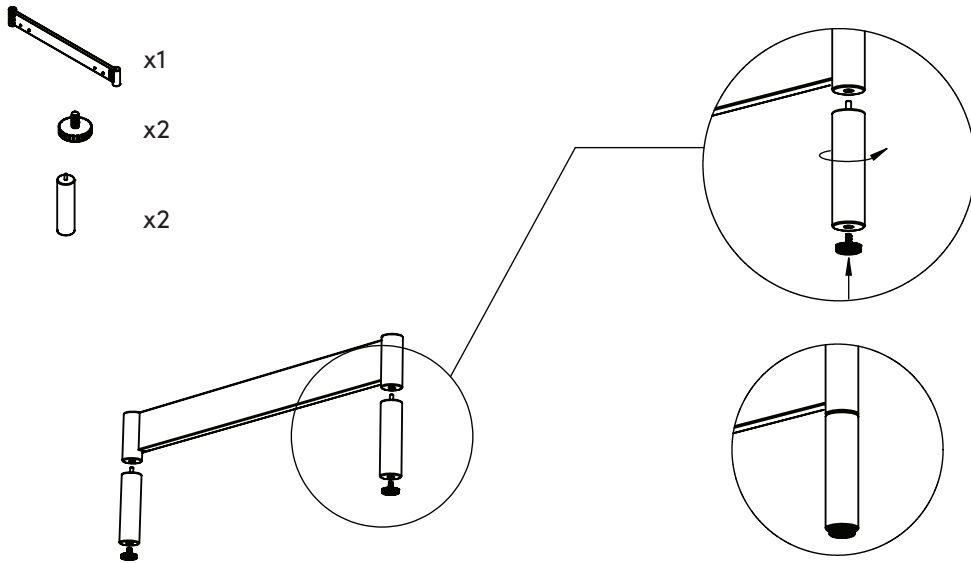
B. High Configuration

Step 1B: Screw in the glides and leg extensions into the base of the bedhead.



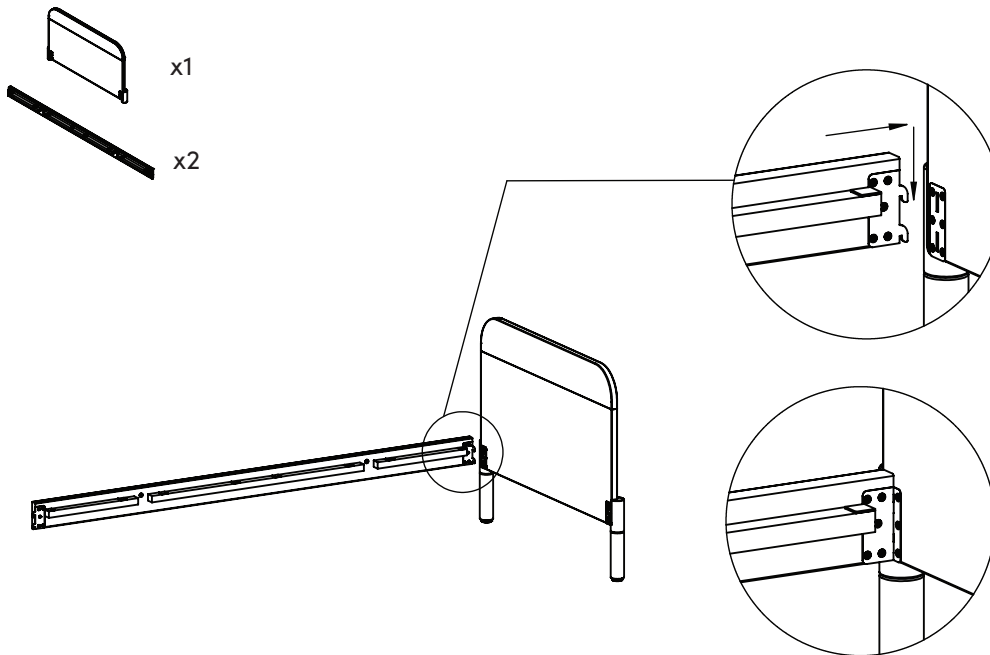
B. High Configuration

Step 2B: Screw in the glides and leg extensions into the base of the foot rail.



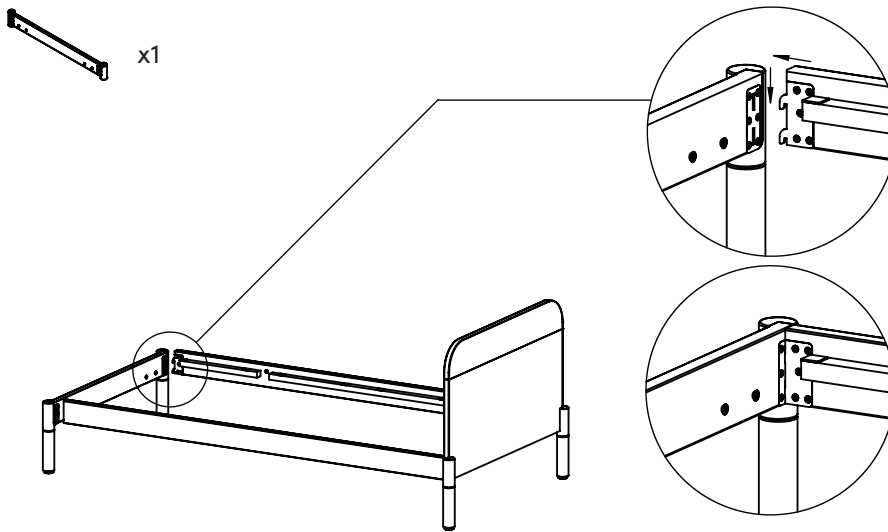
B. High Configuration

Step 3B: Attach the side panel to the bedhead. Repeat for the other side.



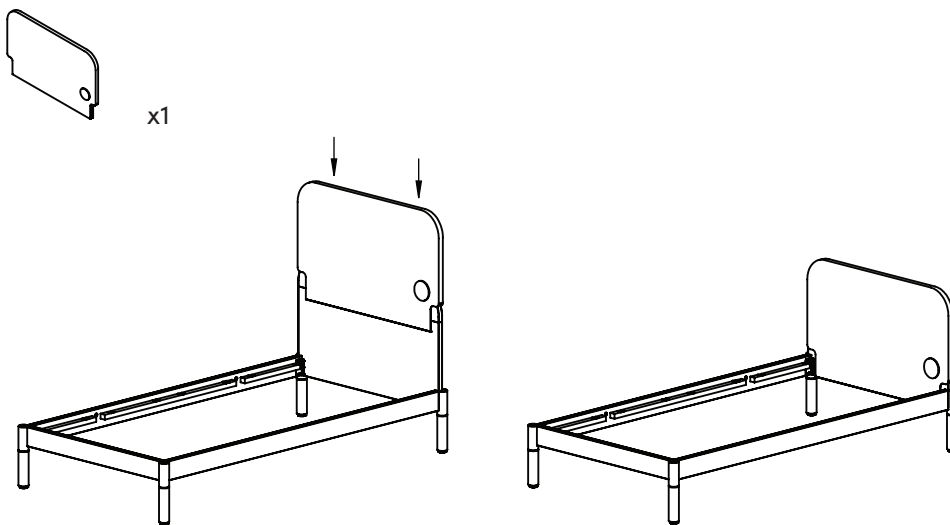
B. High Configuration

Step 4B: Slide the side panel into the foot panel bracket and push down to secure.



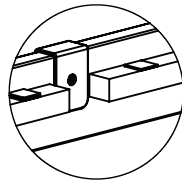
B. High Configuration

Step 5B: Slip the cover over the headboard and secure using the velcro underneath.

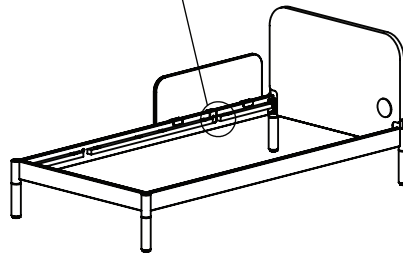
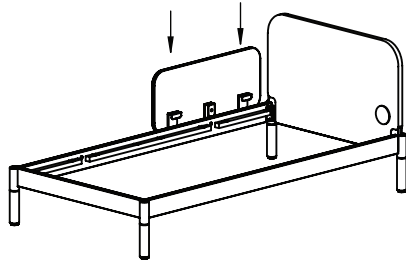


B. High Configuration - Go to step 8A if not installing the guard rail

Step 6B: Slide the guardrail onto the side panel of the joey bed, making sure the holes align.

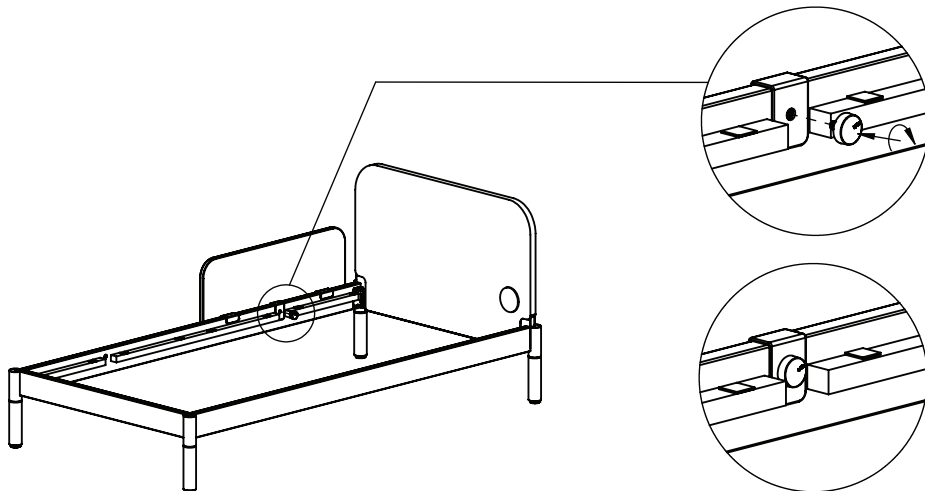


Note: Guardrail can be placed on either side of the bedhead.



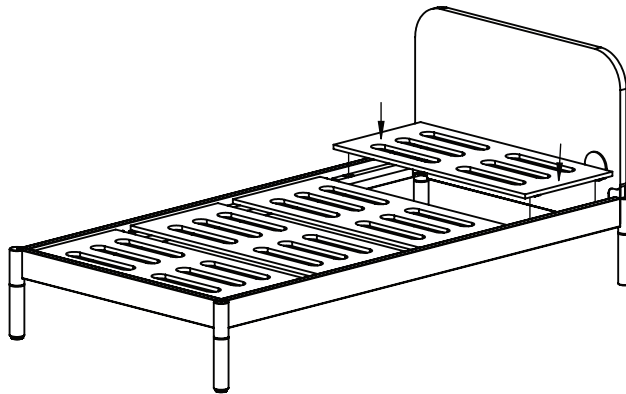
B. High Configuration

Step 7B: Secure the guard rail to the side panel using the gumnut provided.

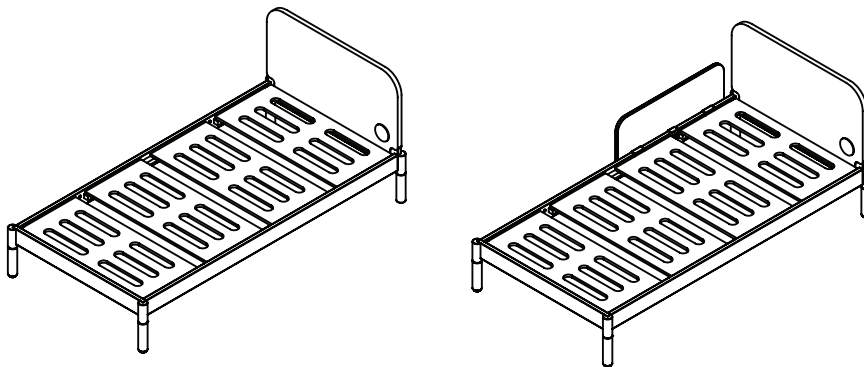


B. High Configuration

Step 8B: Lower the slat panel onto the bed base. To secure the slat press down on the velcro firmly until you hear a click. Repeat with all slat panels.



Note: All assembly fittings should always be tightened properly and fittings should be checked regularly and re-tightened as necessary.



A. High Configuration

Manufactured for Koala Sleep Pty Ltd

Website: koala.com

Phone: 1800 575 337

Address: Unit 12 37-41 O'Riordan Street, Alexandria,
NSW 2015, Australia

Date of launch - 03/2023

SKU-105-0008

This bed is intended for children from aged 3 years old.