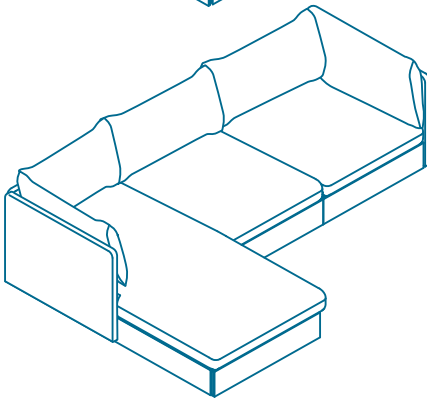
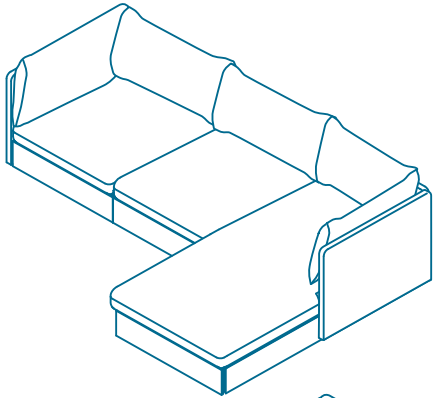


September 2022

Click the button  
to watch the  
assembly video



**CHIASE SOFA**  
**GETAWAY SOFA**

**o  
|  
o  
'  
o  
Y**

# What's in the box\*:

\*Not to scale



**x2**

104-9175



**x2**

104-9237



**x13**

104-9177



**x8**

104-9178



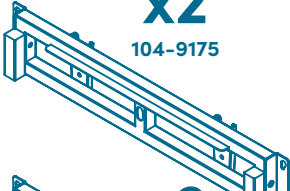
**x8**

104-9123

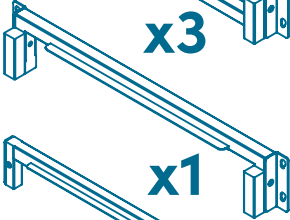


**x1**

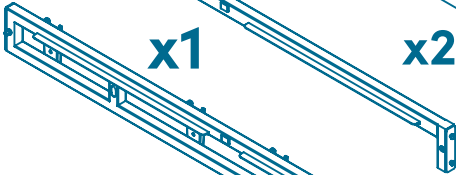
104-9176  
3 Seater  
Only



**x3**



**x1**



**x1**



**x1**



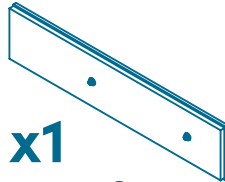
**x2**



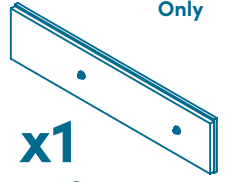
**x2**



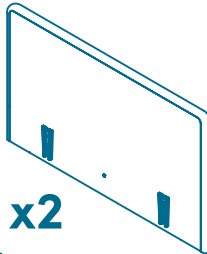
**x3**



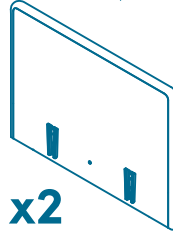
**x1**



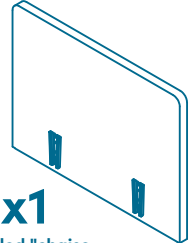
**x1**



**x2**

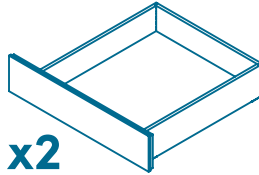


**x2**

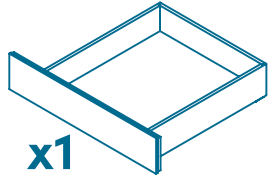


**x1**

labelled "chaise  
backrest"



**x2**



**x1**



**x2**

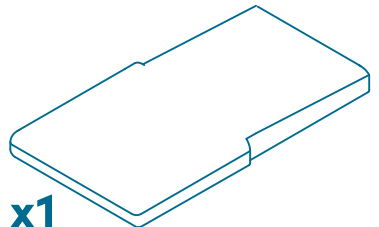


**x2**

labelled "chaise"

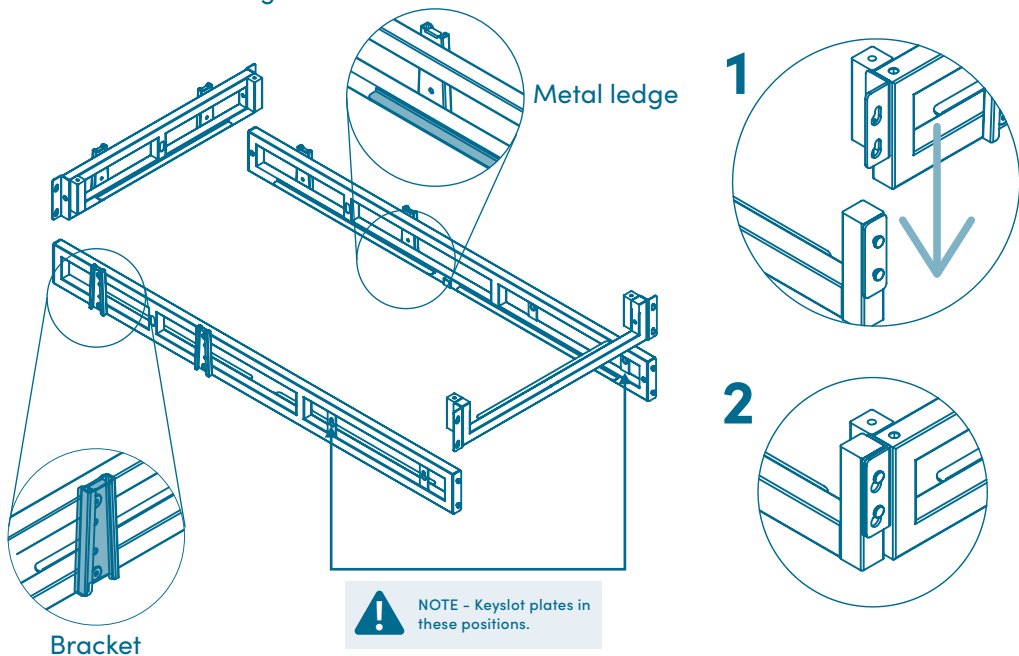


**x2**

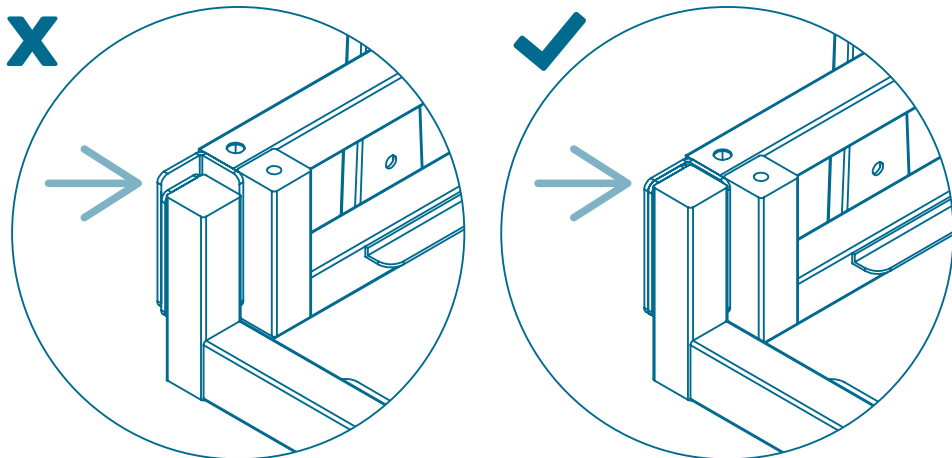


**x1**

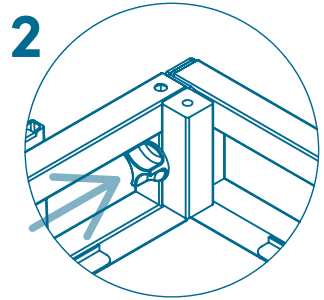
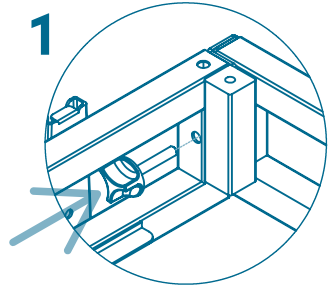
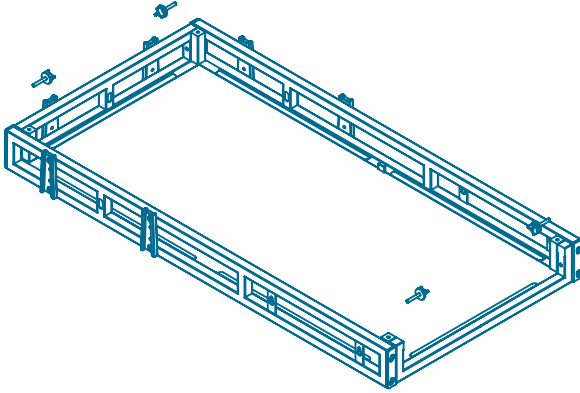
1. Assemble the chaise metal frame by connecting the four corners together. Make sure brackets are facing outwards and the metal ledges are facing inwards.



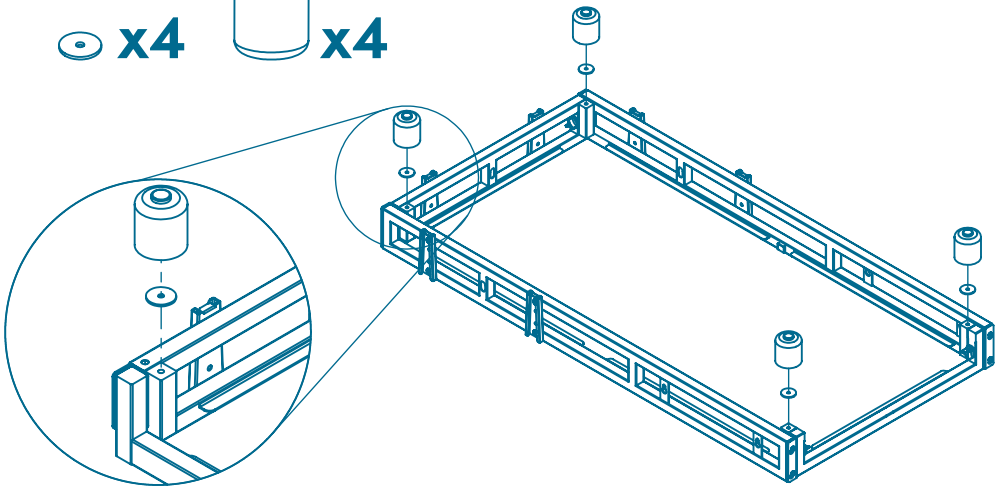
2. Ensure the metal frames are flush with each other before moving to the next step.



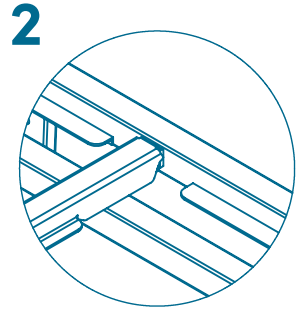
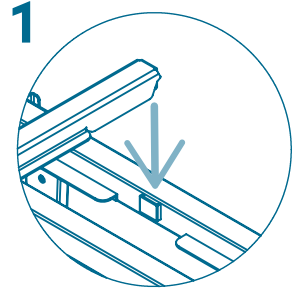
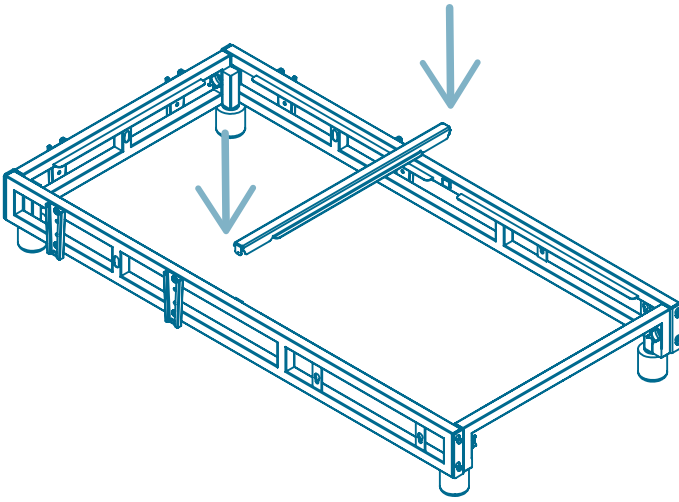
**3.** Lock the metal frame together by inserting 4x gumnuts into the corners as shown, and tighten completely.



**4.** Screw on the legs with washers until fully tightened.

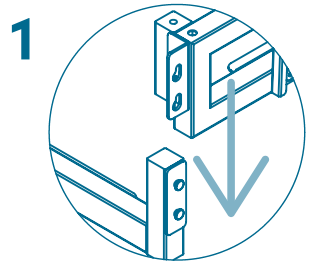
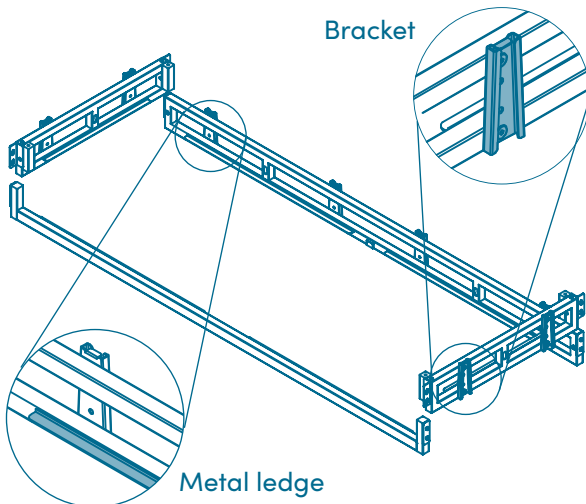


**5.** Flip the frame over onto the legs and insert the metal beam.



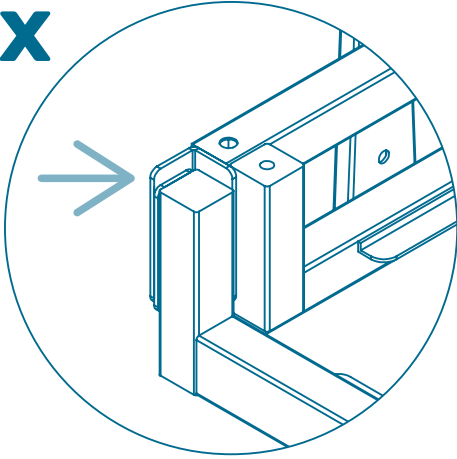
---

**6.** Now its time to assembly your sofa frame. Assemble the metal frame by connecting the four corners together. Make sure brackets are facing outwards and metal ledges are facing inwards.

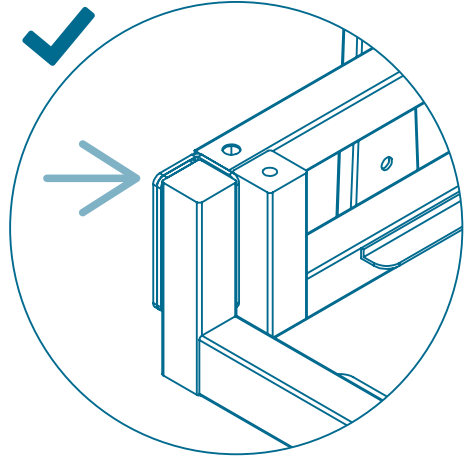


**7.** Ensure the metal frames are flush with each other before moving to the next step.

**X**



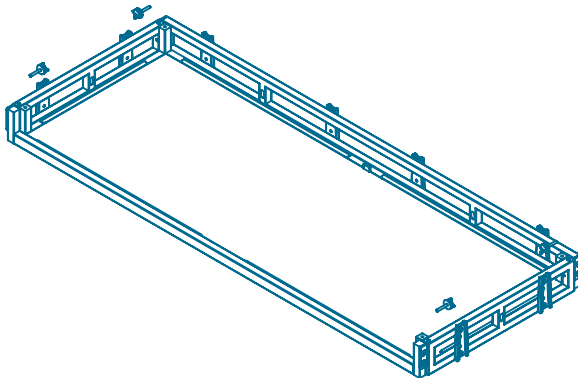
**✓**



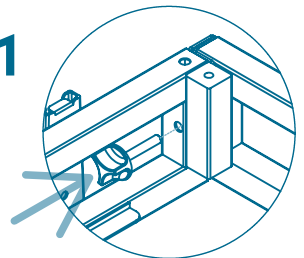
**8.** Lock the metal frame together by inserting 4 x gumnuts into the corners as shown, and tighten completely.



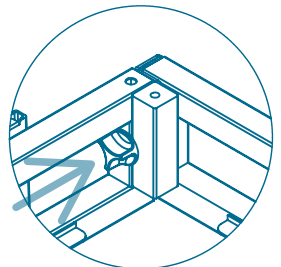
**x4**



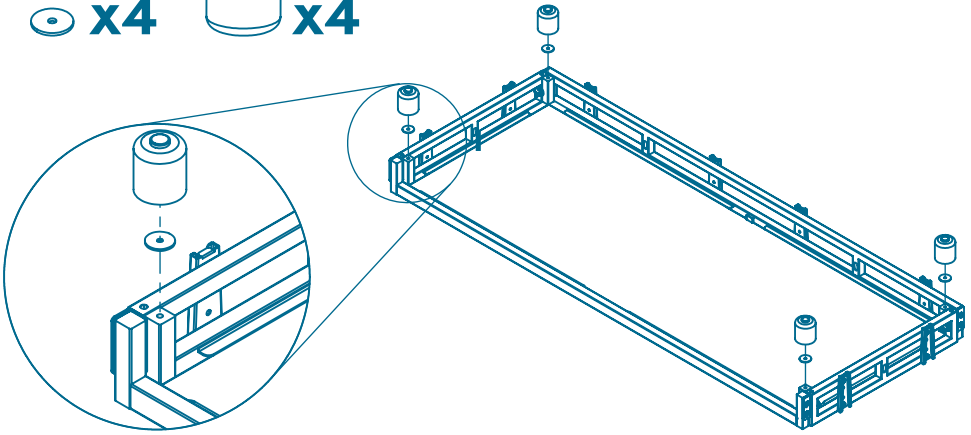
**1**



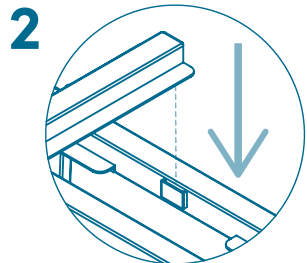
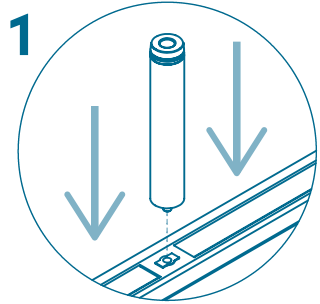
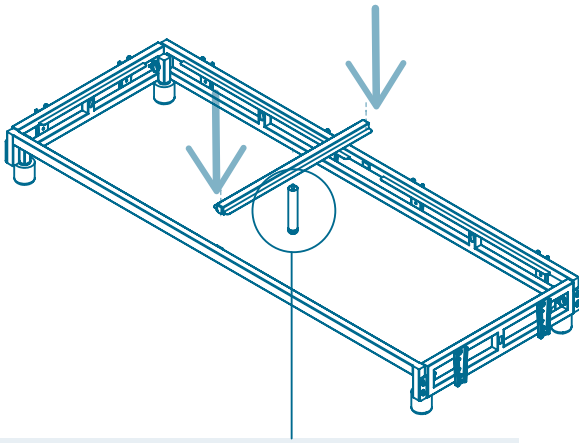
**2**



**9.** Screw on the legs with washers until fully tightened.



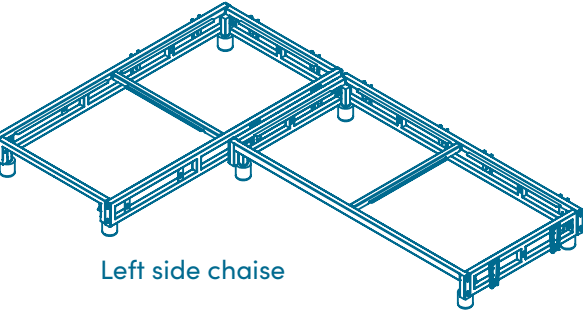
**10.** Flip the frame over onto the legs and insert the middle beam.



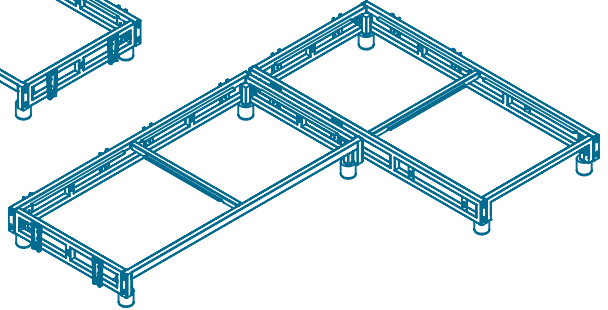
**NOTE** - The middle leg is only required for 3 seater frames only.

# 11.

Choose to assemble the chaise on either the right or left side.



Left side chaise

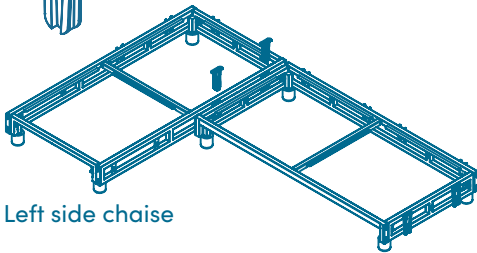


Right side chaise

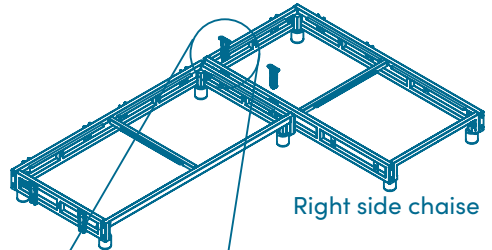
---

# 12.

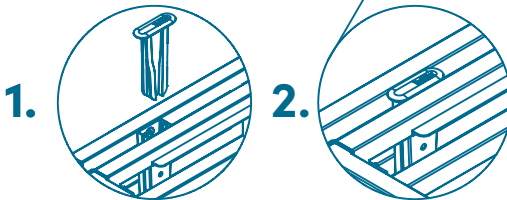
Push the frames together so that the metal connection brackets are aligned and insert the plastic connection fitting.



Left side chaise



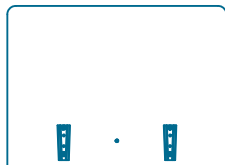
Right side chaise



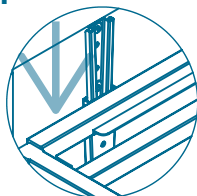


**13.** Identify the armrests and insert them into the outer brackets and push down fully.

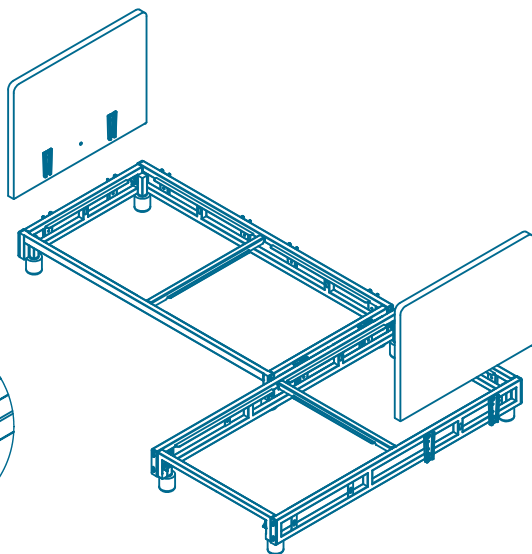
**x2**



**1**



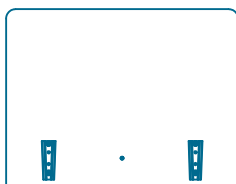
**2**



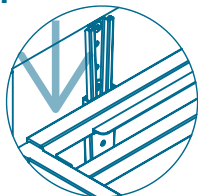
**NOTE** - the chaise backrest is labelled in order to not be confused with the armrests.

**14.** Repeat for the sofa backrests.

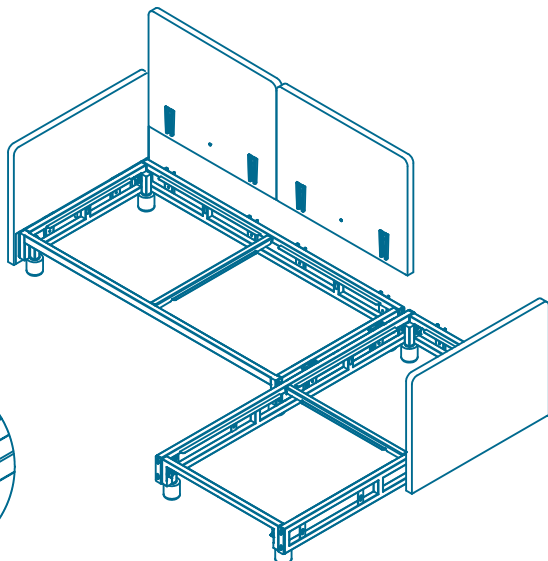
**x2**



**1**

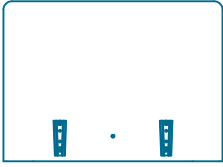


**2**

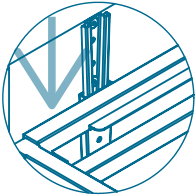


**15.** Repeat for the chaise backrest.

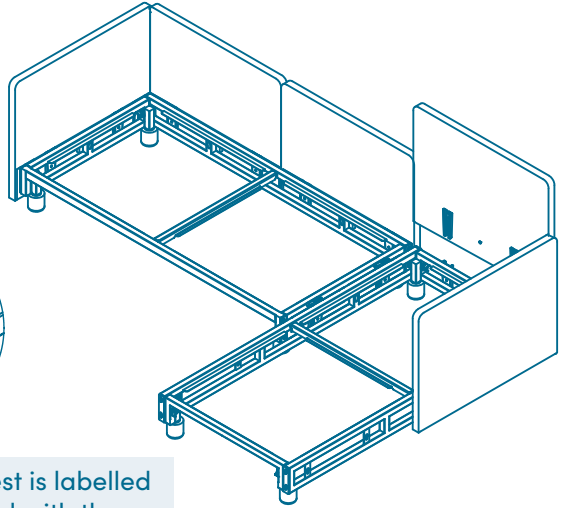
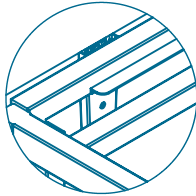
**x2**



**1**



**2**



**NOTE** - the chaise backrest is labelled in order to not be confused with the armrests.

**16.** Insert the gumnuts through the metal frame into the armrests and backrests, and tighten fully.

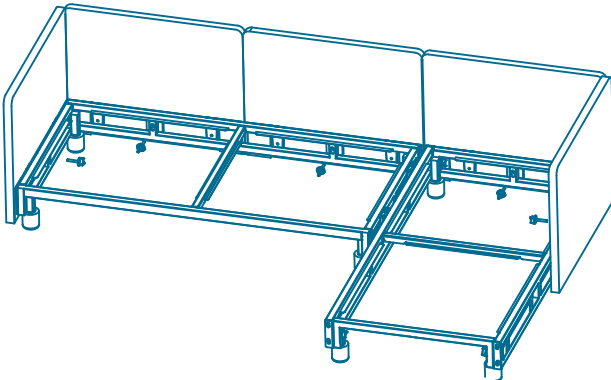


**x4**

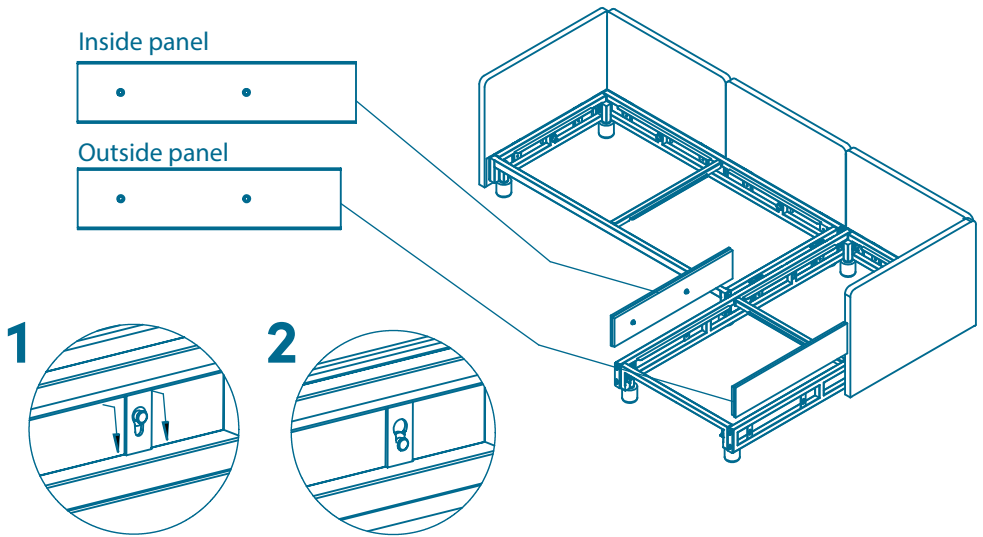
**1**



**2**

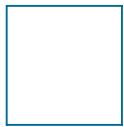


**17.** Take the side panels for the chaise and insert them into the frame and push all the way down using the keyslot connection. The longer panel will be on the inside of the chaise and the shorter panel will be on the outside.



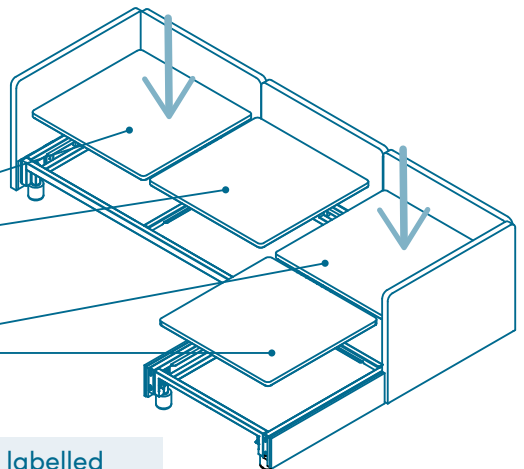
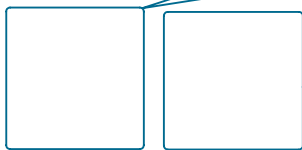
**18.** Place the seat support frames onto the metal ledges on the metal frame, making sure to place the label side down.

x4



This side up

This side down



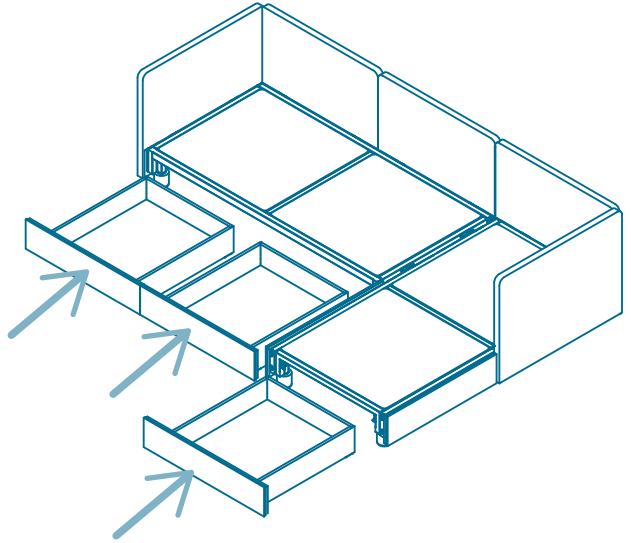
**NOTE** - Chaise frames are labelled to not be confused with the sofa support frame.

**19.** Align and push in the storage boxes under the front metal beam.

**x2**

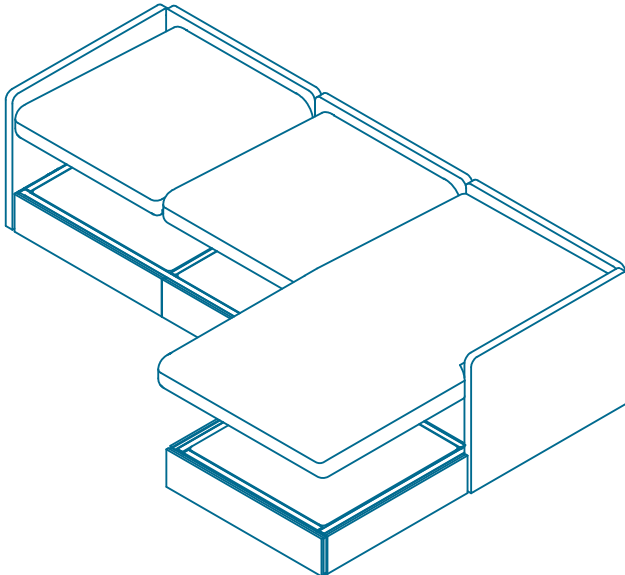


**x1**



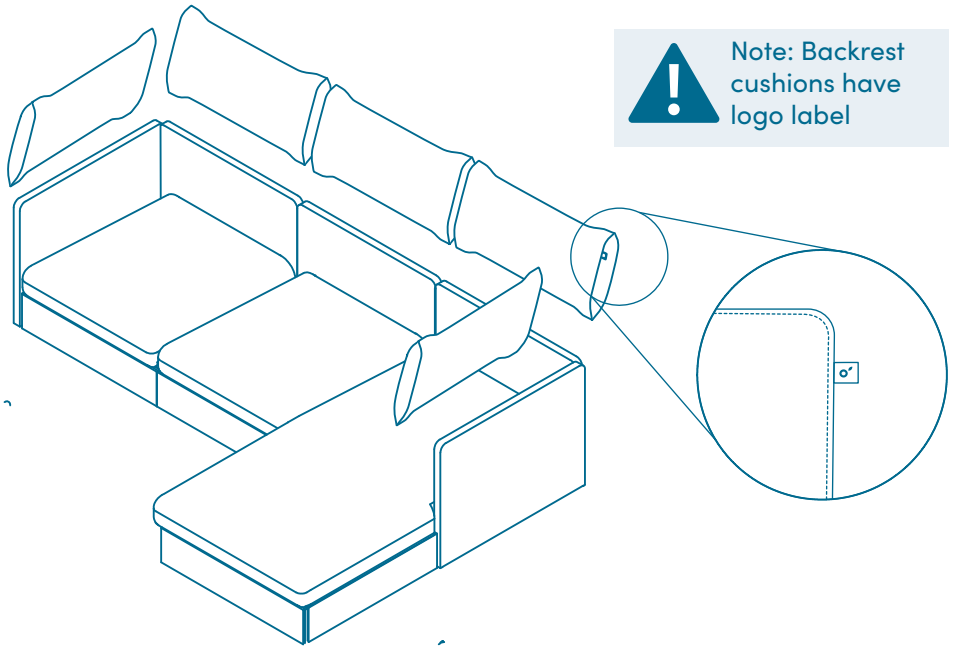
**NOTE** - chaise storage box has a different size front panel

**20.** Place seat cushions, onto the frame.



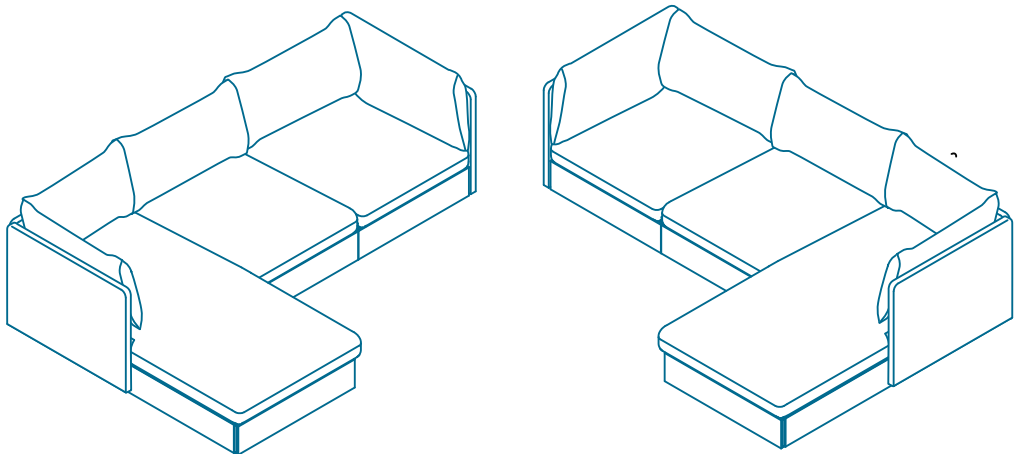
# 21.

Place backrest and armrest cushions on to the sofa.



# 22.

Enjoy!



## Product Information and Care

### FABRIC

#### Regular Care (Weekly)

- Vacuum regularly using low suction
- Protect from direct sunlight
- After use, you can fluff the cushions to bring them back to shape

#### Cleaning

- Remove any spills immediately by gently blotting any liquid stains with a clean cloth. Scoop any sauces up before blotting the remaining sauces
- Use a mild detergent to gently remove any loose soilage.
- Do not scrub with a stiff brush.
- Use a clean cloth to blot out any excess liquid.
- Avoid over wetting as this may result in a water mark.

**Caution:** Pretest the cleaning method on a hidden area of the sofa. If change in colour, or transfer do not continue.

### PILLING

Pilling can occur occasionally as a result of normal daily wear and should not be considered a fault. Fibre pills can be removed with a battery operated pilling tool, available from most haberdashery stores.

### TIMBER

#### Regular Care (Weekly)

- Wipe down with a clean damp cloth
- Protect from direct sunlight

#### Cleaning

- Treat spills as soon as possible, wipe down with clean dry cloth.
- Do not use abrasive cloths, concentrated detergents, silicon based wood polishes.

#### Good to Know:

Timber is a natural product and there will be variation in grain, colour and features such as knots. Over time the colour of timber will naturally change.

### USING THE SOFA & DRAWERS

#### Weight Capacity

- Sofa Weight Capacity: 120kg per seat
- Drawer Weight Capacity: 20kg per drawer

### SAFETY AND USE

- Pull and push drawers in a straightwards direction.
- Remember they are drawers not toys.
- Do not jump or stand on the drawers.
- Avoid sitting on the arms or backrest
- Avoid dragging the sofa if you need to move it (remember to remove the drawers first).