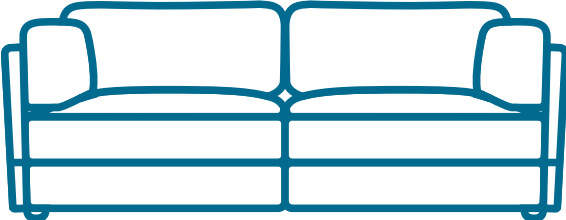


May 2022

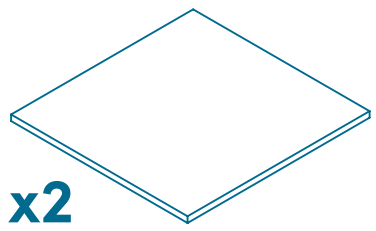
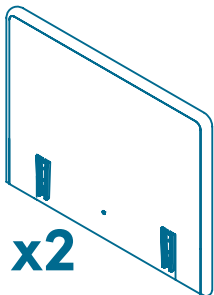
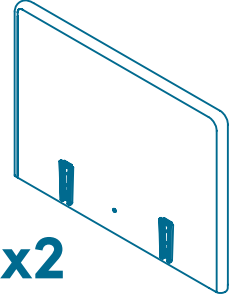
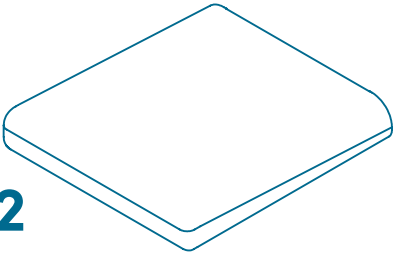
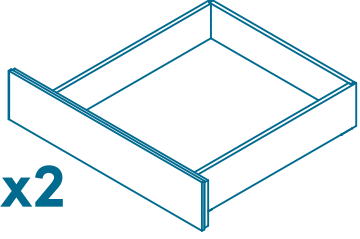
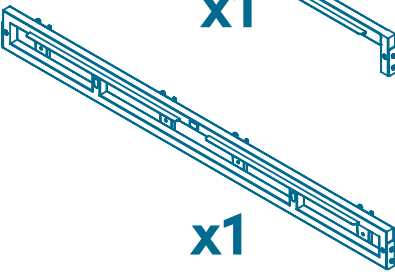
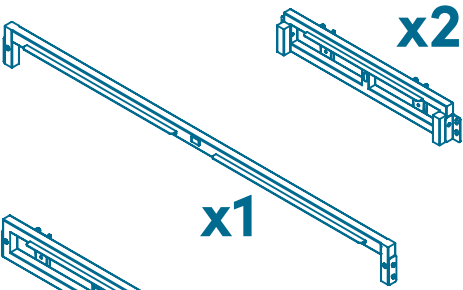
Scan the QR
code to watch the
assembly video



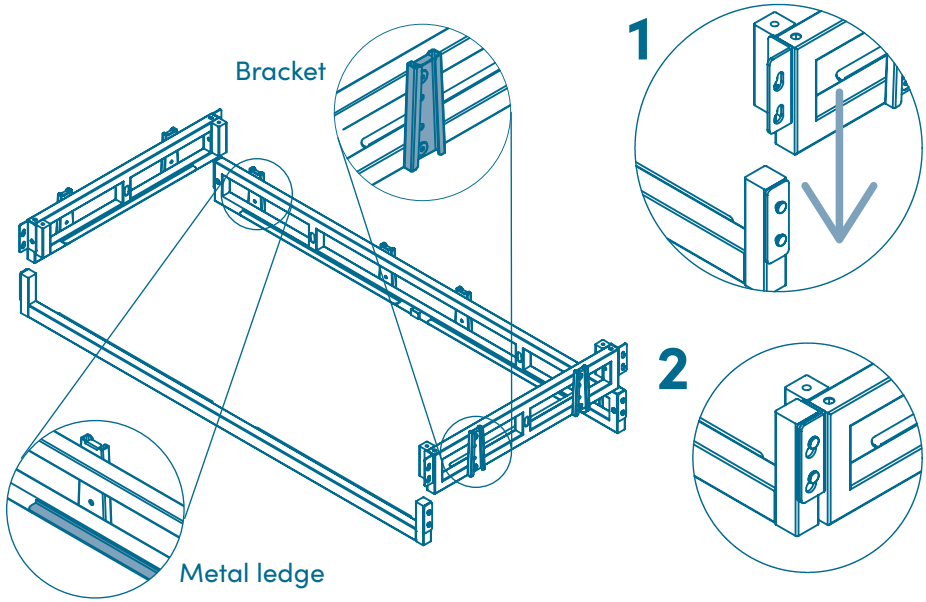
**2 SEATER
GETAWAY SOFA**

Ko'do

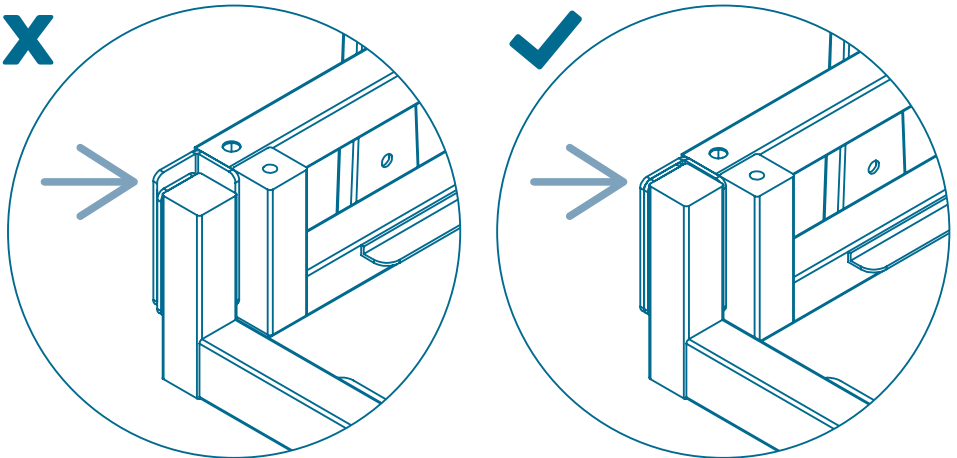
What's in the box:



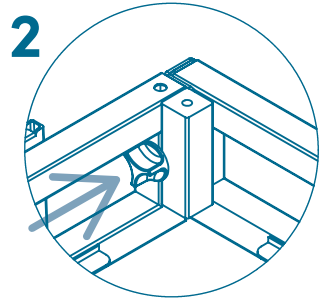
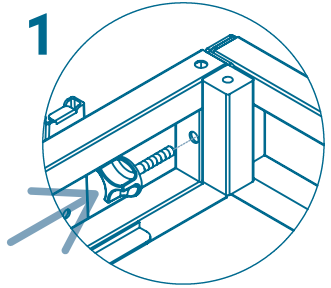
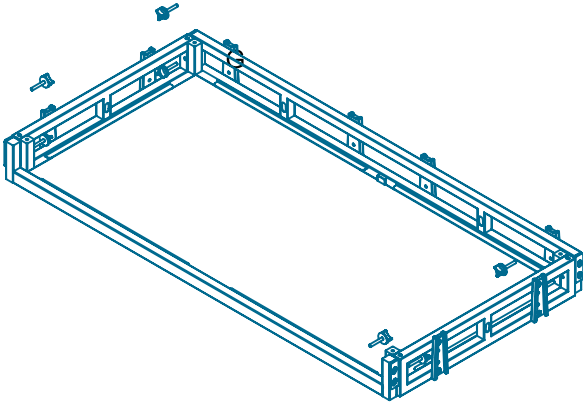
1. Assemble the metal frame by connecting the four corners together. Make sure brackets are facing outwards and metal ledges are facing forwards.



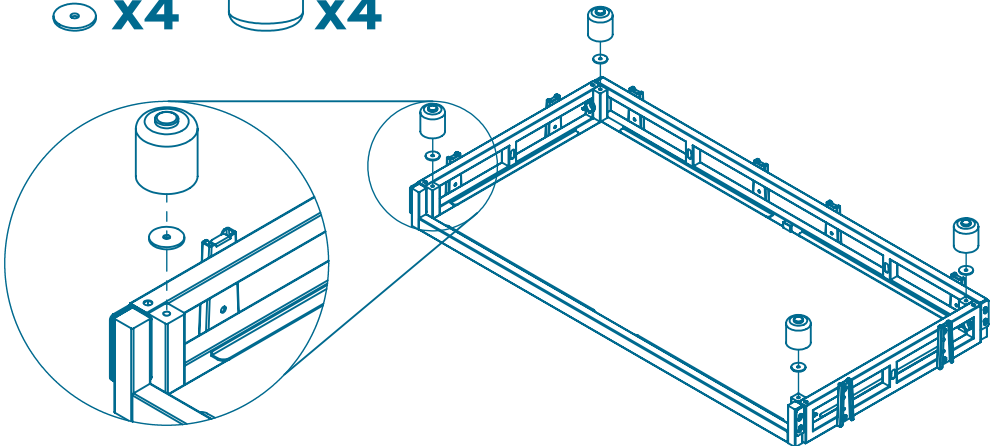
-
2. Ensure the metal frames should be flush with each other before moving to the next step.



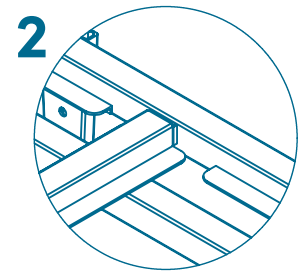
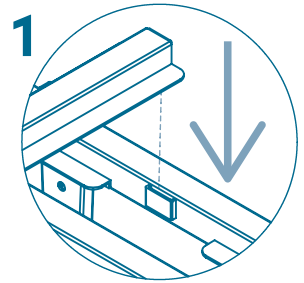
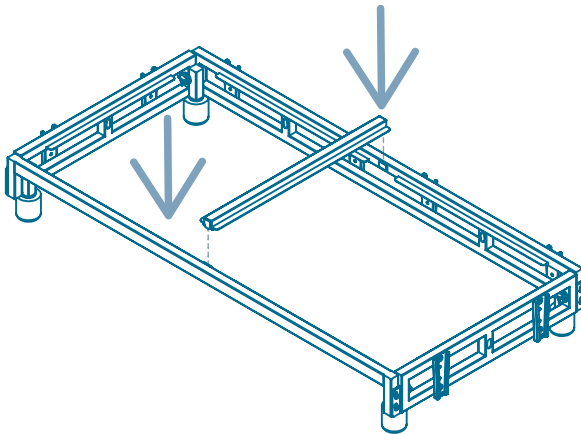
3. Lock the metal frame together by inserting 4 x gumnuts into the corners as shown, and tighten completely.



4. Screw on the legs with washers until fully tightened.

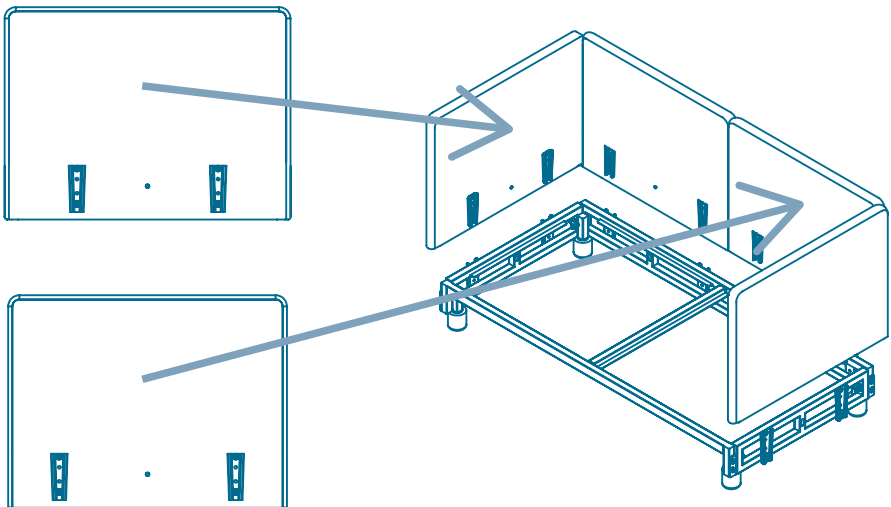


- 5.** Flip the frame over onto the legs and insert the middle beam.



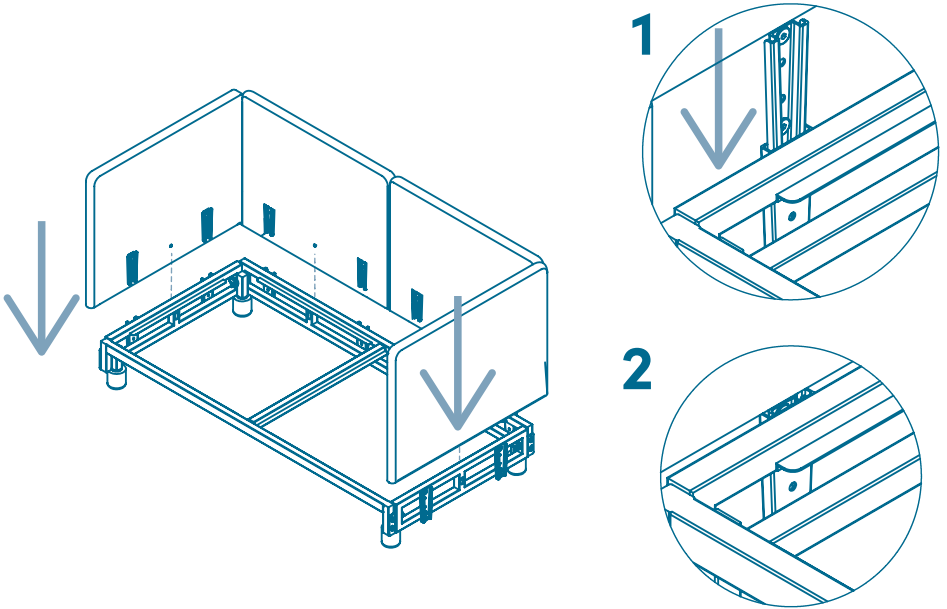
If you are connecting an additional modular sofa to this sofa, please refer to the assembly instructions located in the seat-cushion box of your Chaise or Corner which shows you how to proceed.

- 6.** Note the difference between the backrest and the armrests: The backrest brackets are further apart than the armrest brackets.

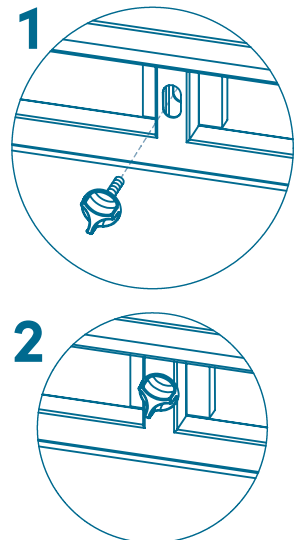
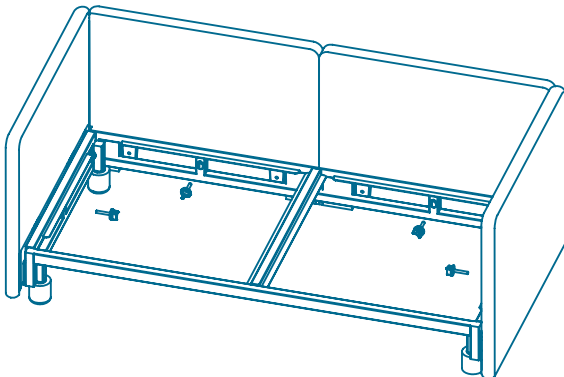


Backrest

7. Insert the armrests and backrests by aligning the brackets and pushing all the way down.

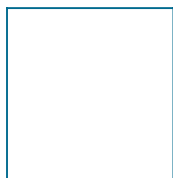


8. Insert the gumnuts through the metal frame into the armrests and backrests and tighten fully.

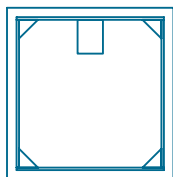


- 9.** Place the seat base frames onto the metal ledges on the metal frame, making sure to place the label side down.

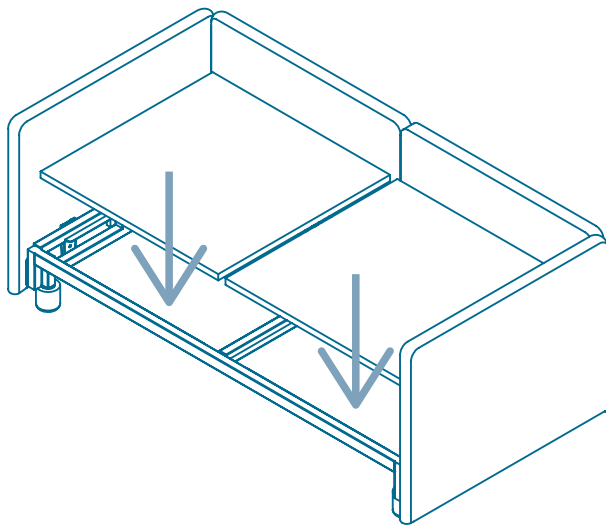
x2



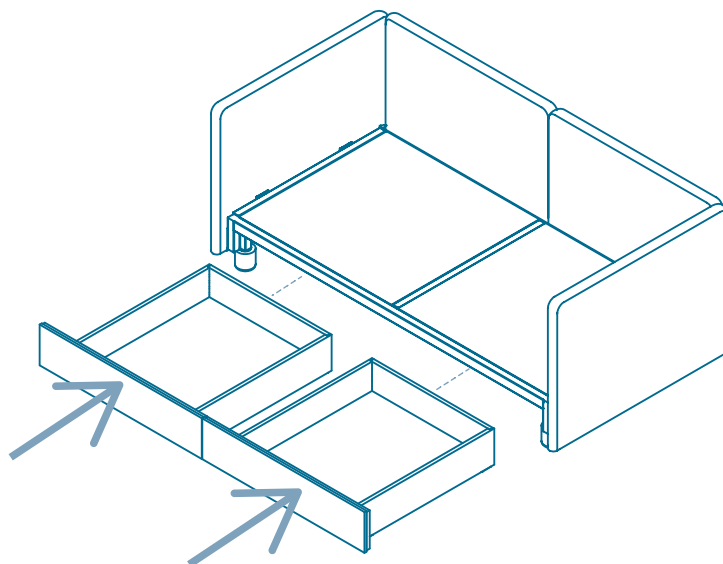
This side up



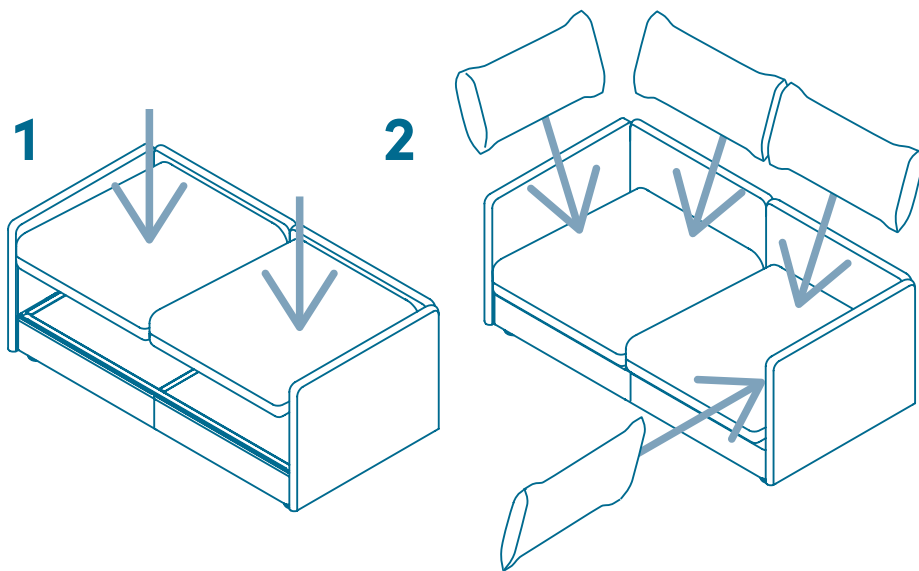
This side down



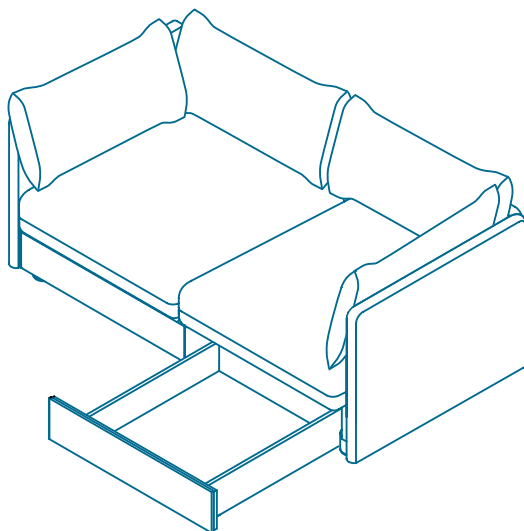
-
- 10.** Align and push in the storage boxes under the front metal beam.



11. Place seat cushions, backrest cushions and armrest cushions onto the frame.



12. Enjoy.



Product Information and Care

FABRIC

Regular Care (Weekly)

- Vacuum regularly using low suction
- Protect from direct sunlight
- After use, you can fluff the cushions to bring them back to shape

Cleaning

- Remove any spills immediately by gently blotting any liquid stands with a clean cloth. Scoop any sauces up before blotting the remaining sauces
- Use a mild detergent to gently remove any loose soilage.
- Do not scrub with a stiff brush.
- Use a clean cloth to blot out any excess liquid.
- Avoid over wetting as this may result in a water mark.

Caution: Pretest the cleaning method on a hidden area of the sofa. If change in colour, or transfer do not continue.

PILLING

Pilling can occur occasionally as a result of normal daily wear and should not be considered a fault. Fibre pills can be removed with a battery operated pilling tool, available from most haberdashery stores.

USING THE SOFA & DRAWERS

Weight Capacity

- Sofa Weight Capacity: 120kg per seat
- Drawer Weight Capacity: 20kg per drawer

SAFETY AND USE

- Pull and push drawers in a straightwards direction.
- Remember they are drawers not toys.
- Do not jump or stand on the drawers.
- Avoid sitting on the arms or backrest
- Avoid dragging the sofa if you need to move it (remember to remove the drawers first).