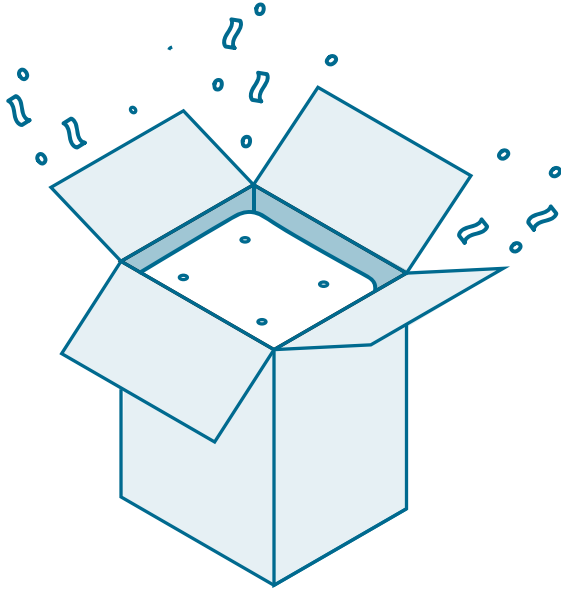


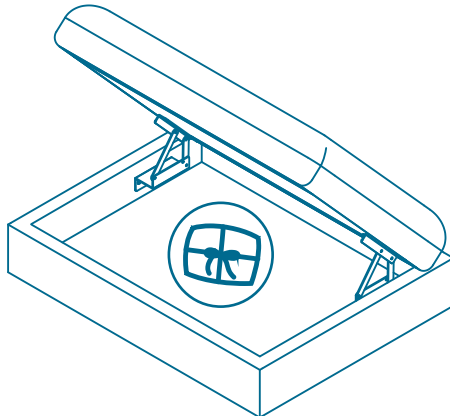
**OTTOMAN
GETAWAY SOFA**

Ko'da

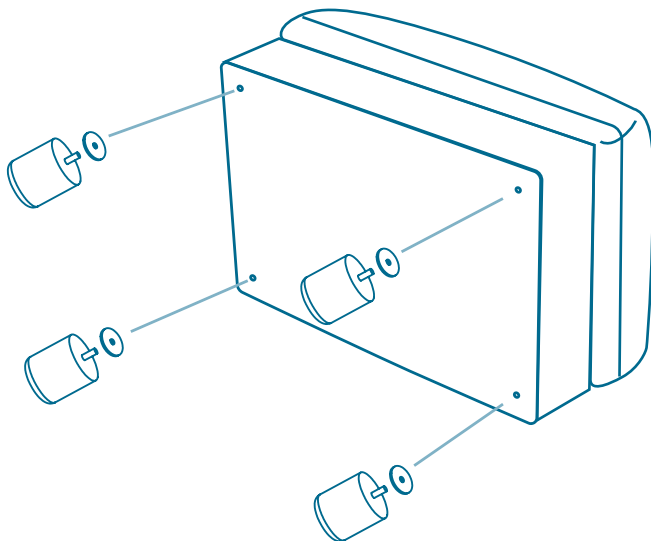
1.



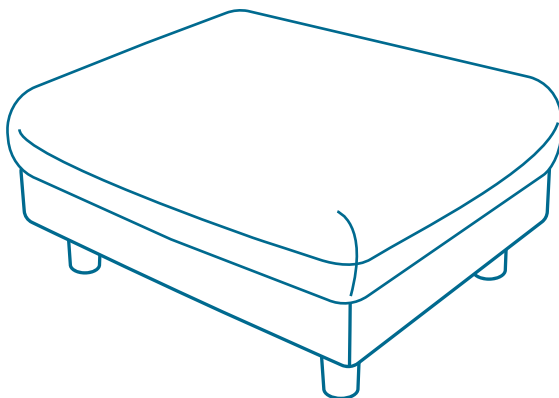
2. Open the lid of the ottoman to find your legs.

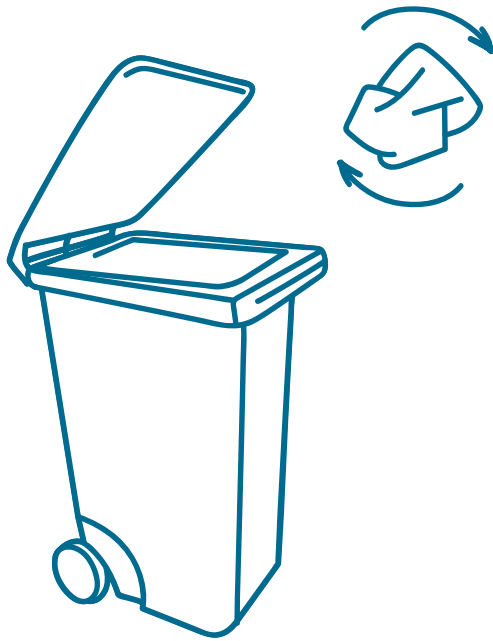


3. Screw on the legs with washers until fully tightened.



4. Enjoy!





don't forget to recycle.

koala