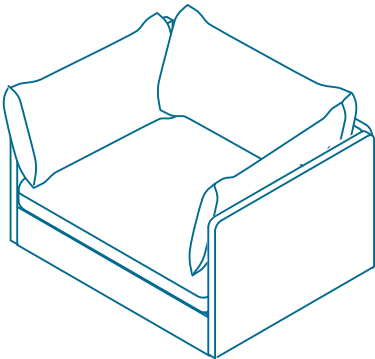


August 2022

Click the button
to watch the
assembly video

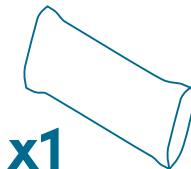
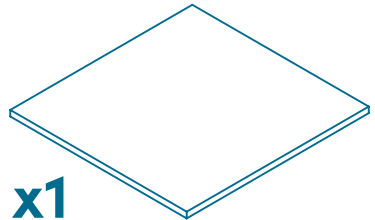
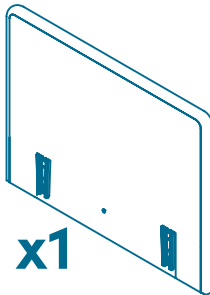
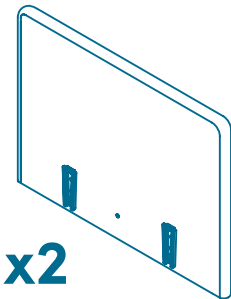
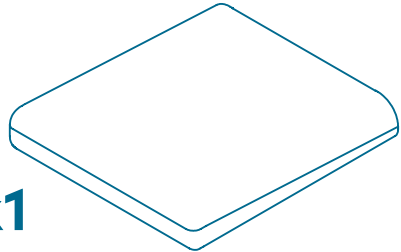
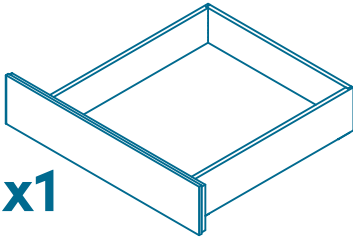
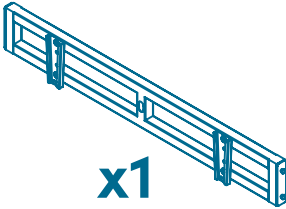
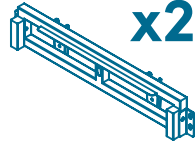
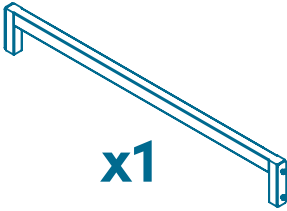


**1 SEATER
GETAWAY SOFA**

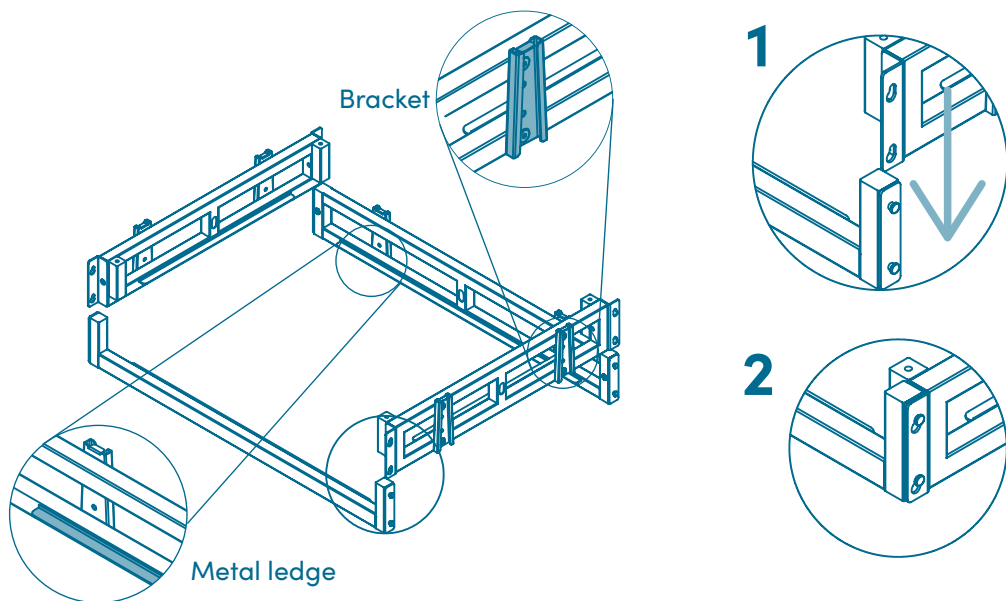
**o
|
o
o
K**

What's in the box*:

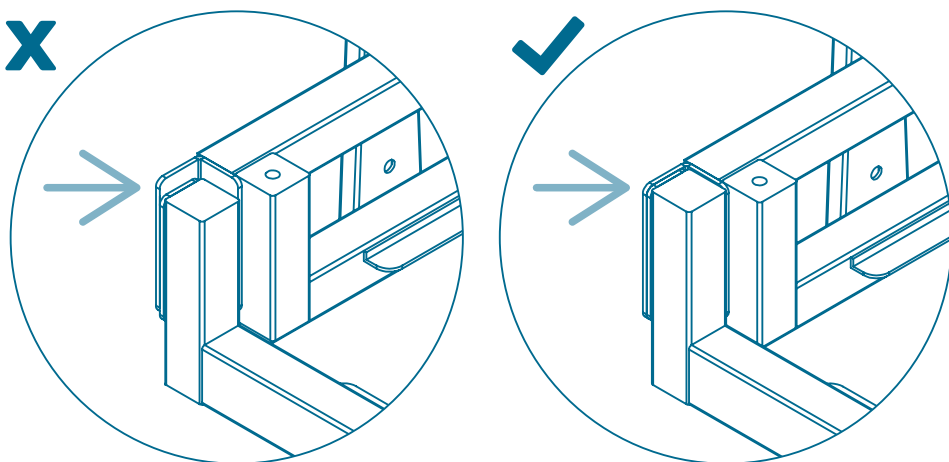
*Not to scale



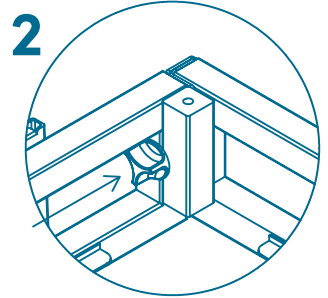
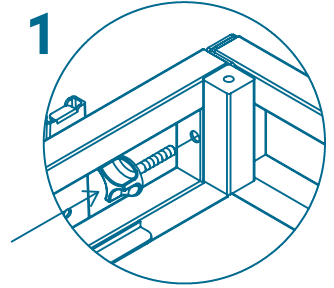
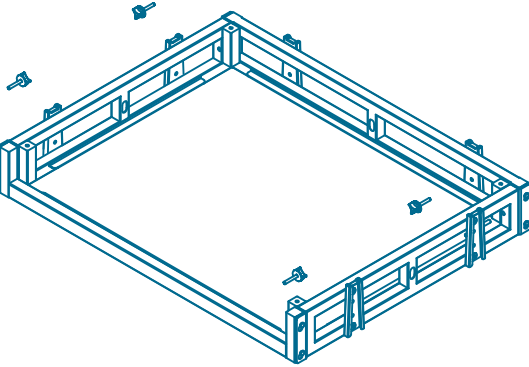
- 1.** Assemble the metal frame by connecting the four corner together. Make sure that the brackets are facing outward and the metal ledges are facing inwards.



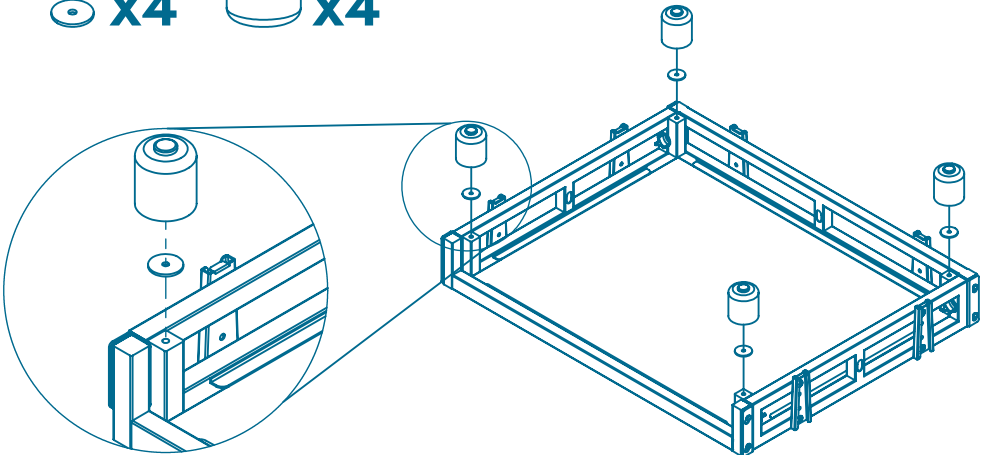
- 2.** Ensure the metal frames are flush with each other before moving to the next step.



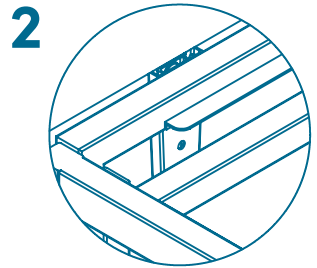
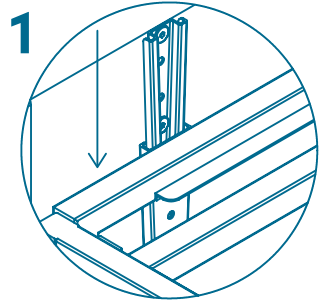
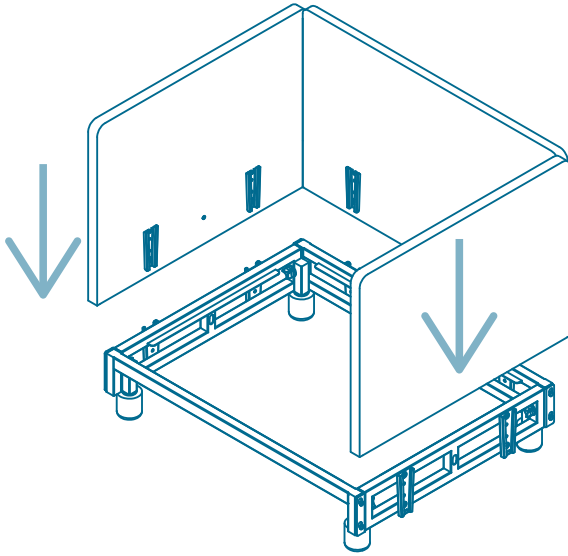
3. Lock the metal frame together by inserting gumnuts x4 into the corners as shown, and tighten fully.



4. Screw on the legs with washers until fully tightened.



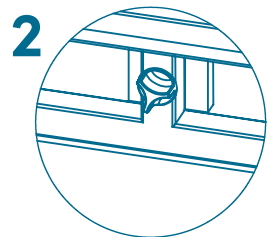
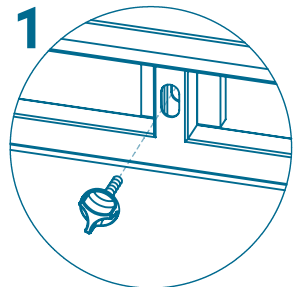
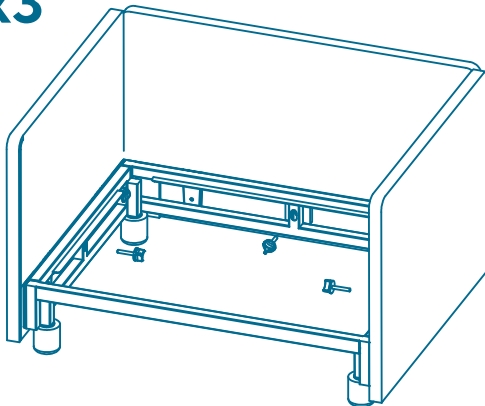
5. Flip the frame over onto the legs and insert the backrest and armrests into the frame by aligning the brackets and pushing down all the way.



6. Insert the gumnuts through the metal frame into the armrests and backrest and tighten fully.

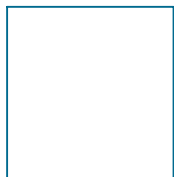


x3

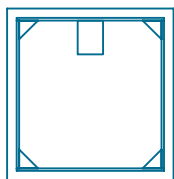


7. Place the seat base frame onto the metal ledges on the metal frame.

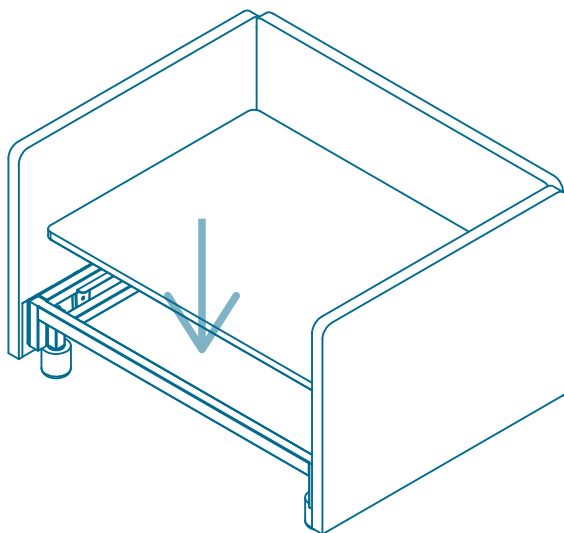
x1



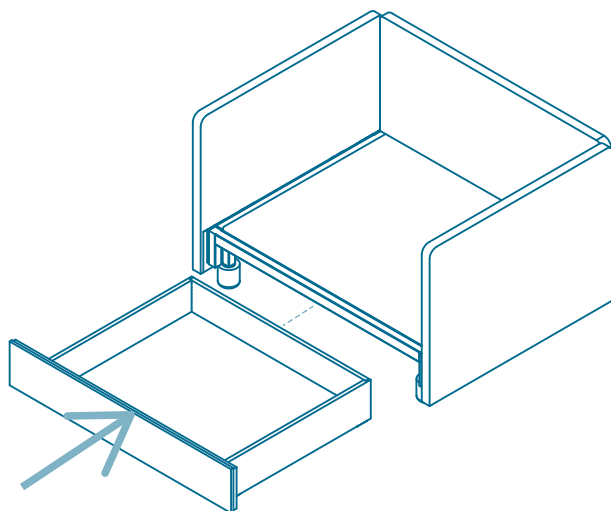
This side up



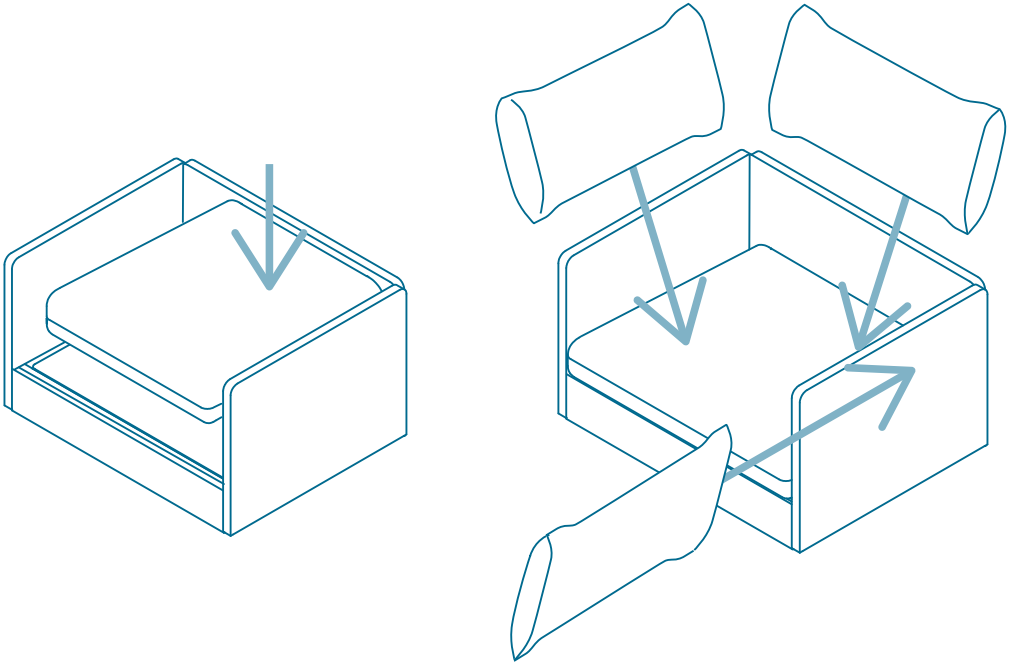
This side down



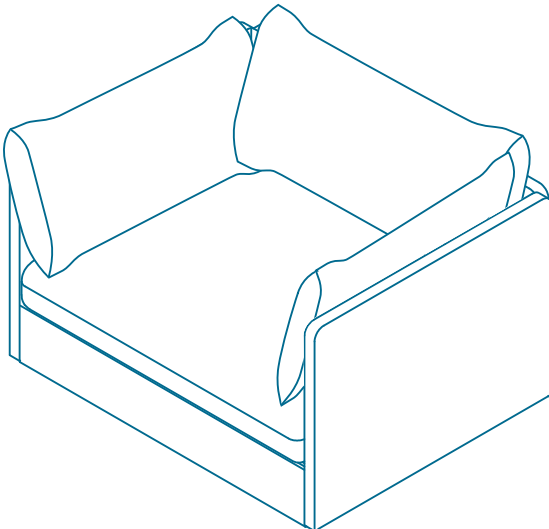
8. Align and push in the storage box under the front metal beam.



9. Place seat cushions, back cushions, and armrest cushions onto the frame.



10. Enjoy!



Product Information and Care

FABRIC

Regular Care (Weekly)

- Vacuum regularly using low suction
- Protect from direct sunlight
- After use, you can fluff the cushions to bring them back to shape

Cleaning

- Remove any spills immediately by gently blotting any liquid stands with a clean cloth. Scoop any sauces up before blotting the remaining sauces
- Use a mild detergent to gently remove any loose soilage.
- Do not scrub with a stiff brush.
- Use a clean cloth to blot out any excess liquid.
- Avoid over wetting as this may result in a water mark.

Caution: Pretest the cleaning method on a hidden area of the sofa. If change in colour, or transfer do not continue.

PILLING

Pilling can occur occasionally as a result of normal daily wear and should not be considered a fault. Fibre pills can be removed with a battery operated pilling tool, available from most haberdashery stores.

TIMBER

Regular Care (Weekly)

- Wipe down with a clean damp cloth
- Protect from direct sunlight

Cleaning

- Treat spills as soon as possible, wipe down with clean dry cloth.
- Do not use abrasive cloths, concentrated detergents, silicon based wood polishes.

Good to Know:

Timber is a natural product and there will be variation in grain, colour and features such as knots. Over time the colour of timber will naturally change.

USING THE SOFA & DRAWERS

Weight Capacity

- Sofa Weight Capacity: 120kg per seat
- Drawer Weight Capacity: 20kg per drawer

SAFETY AND USE

- Pull and push drawers in a straightwards direction.
- Remember they are drawers not toys.
- Do not jump or stand on the drawers.
- Avoid sitting on the arms or backrest
- Avoid dragging the sofa if you need to move it (remember to remove the drawers first).

