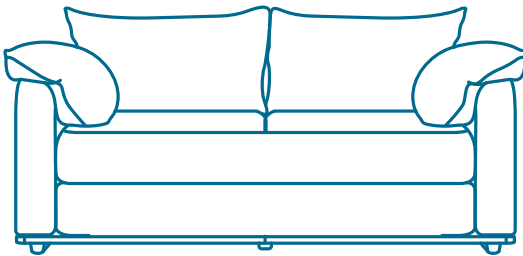


Click the button
to watch the
assembly video



CUSHY
SOFA BED

Koala

What's in the box*:

*Not to scale

Click the button
to watch the
assembly video



x6

Long Leg
104-9250



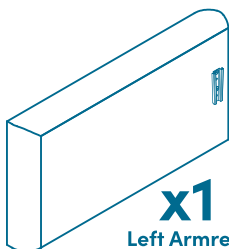
x3 / x1

Queen Double / Single
Short Leg
104-9251



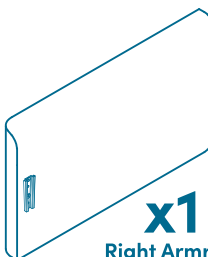
x1

Baseboard Connector
104-9239



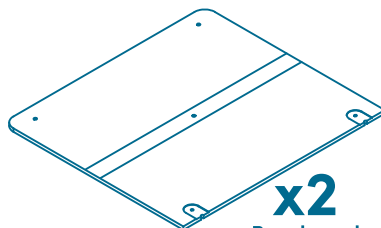
x1

Left Armrest



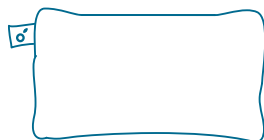
x1

Right Armrest



x2

Baseboard

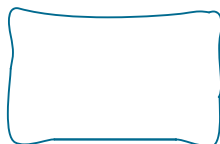
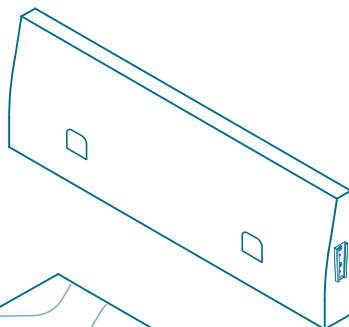


x2/x1

Queen Double/Single
Backrest Cushion

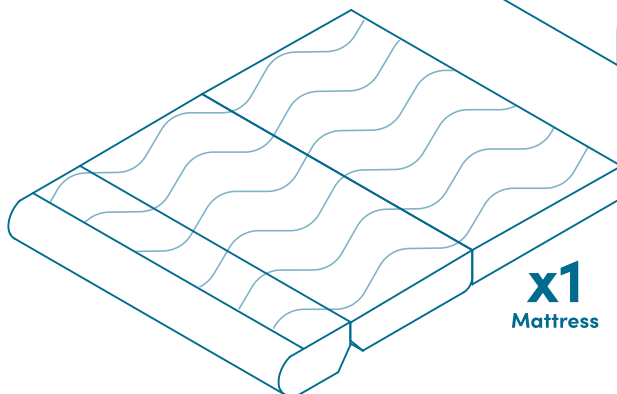
x1

Backrest



x2

Armrest Cushion



x1

Mattress

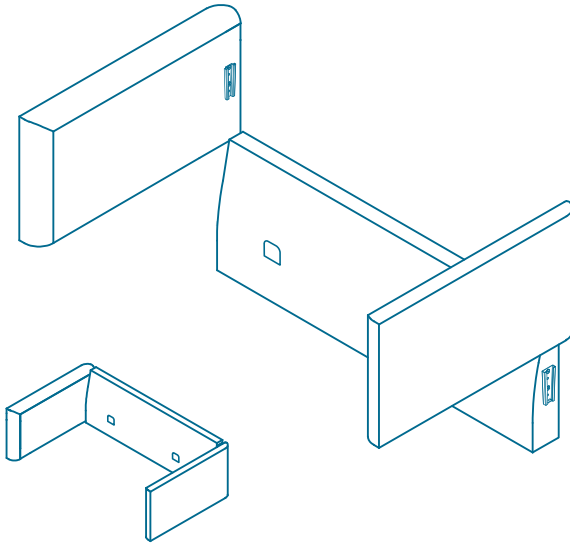


NOTE - Open the seat cushion box first.

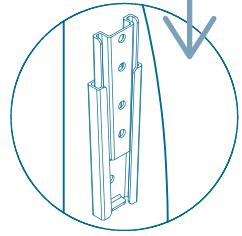
Due to compression, max comfort reached after
3-5 days.

1. Connect the two arms to the backrest using the wedge brackets.

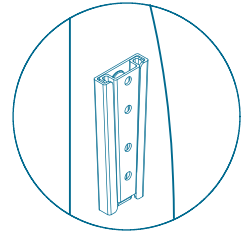
Click the button to watch the assembly video



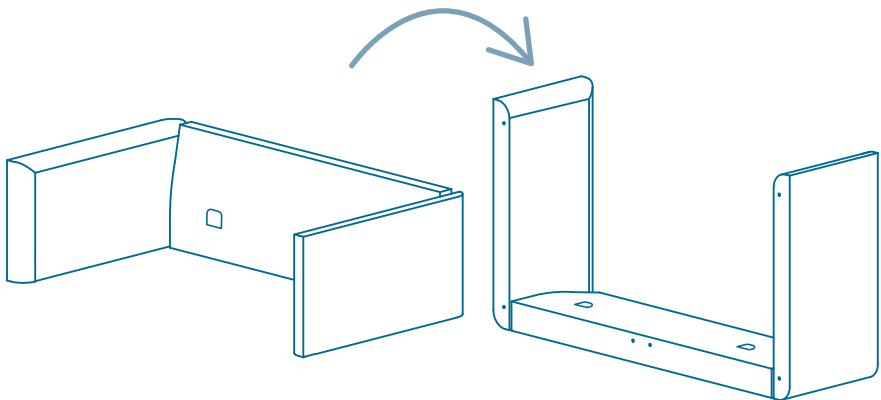
1



2



2. Ensure sofa bed is positioned away from walls and carefully rotate the sofa bed on its back.



3. Screw baseboard with the velcro facing in, onto frame using the longer length thread legs in the order shown.

Click the button to watch the assembly video



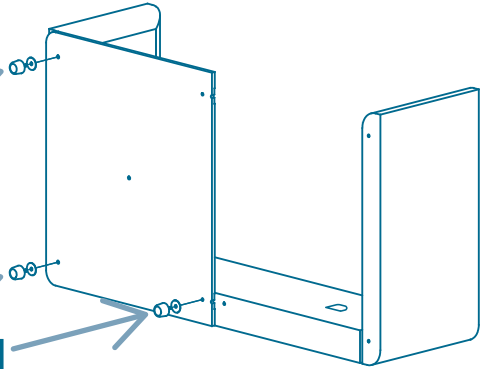
x3



1st

2nd

3rd



NOTE - Use coloured stickers on armrest and backrest as alignment guide.

4. Screw second baseboard with the velcro facing in, onto frame using the longer length thread legs in the order shown.



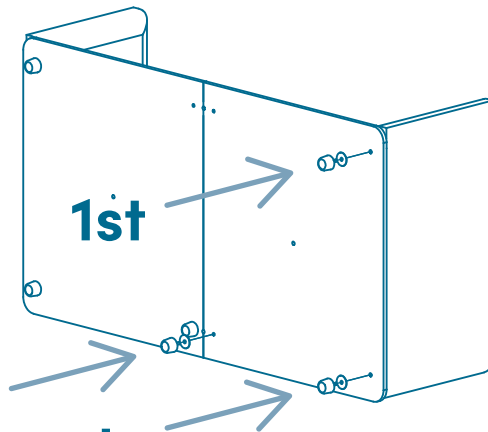
x3



1st

3rd

2nd



NOTE - Use coloured stickers on armrest and backrest as alignment guide.

5. Screw in connector plate using the shorter length thread leg.

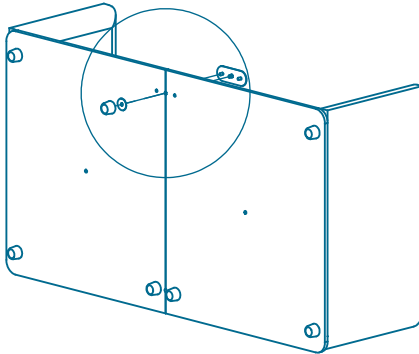
Click the button to watch the assembly video



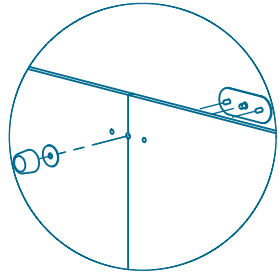
x1



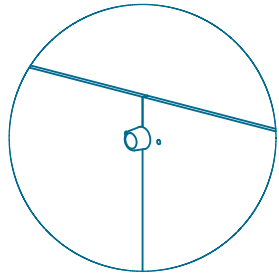
x1



1



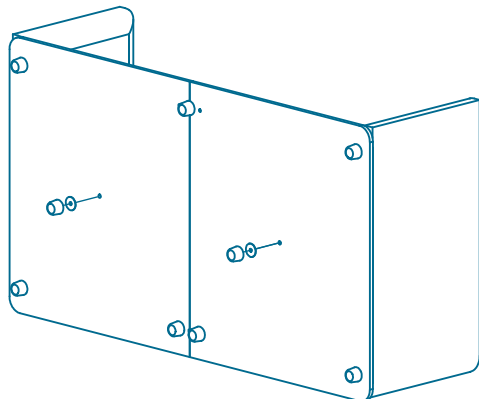
2



6. Screw shorter thread legs into baseboard.



x2

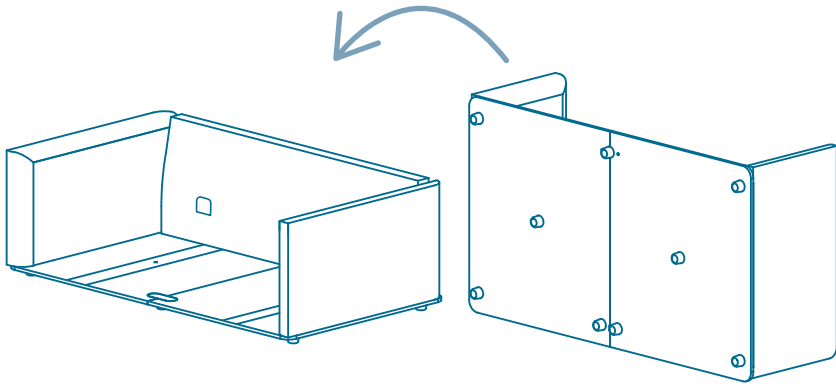


HEADS UP!

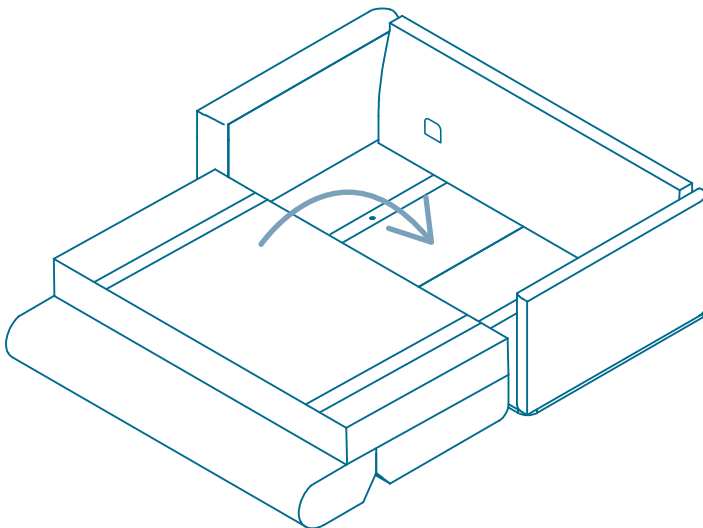
Your single Cushy Sofa Bed does not require middle legs!

7. Carefully lower the sofa bed on its legs.

Click the button
to watch the
assembly video

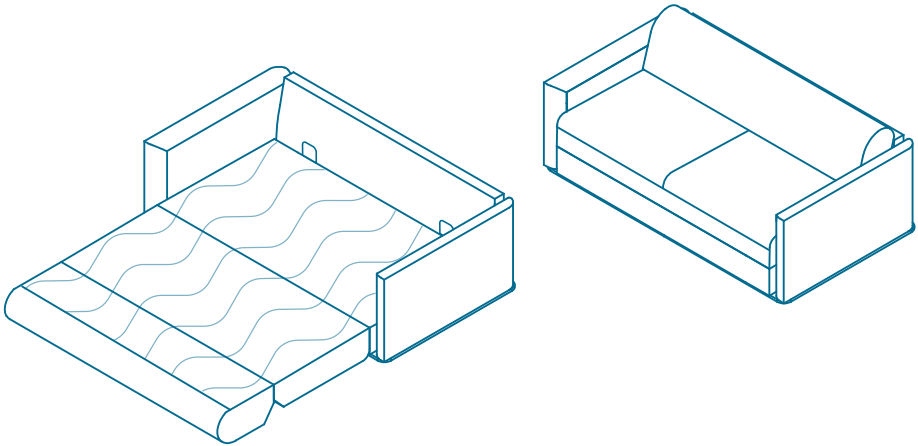


8. Attach mattress to frame using velcro.

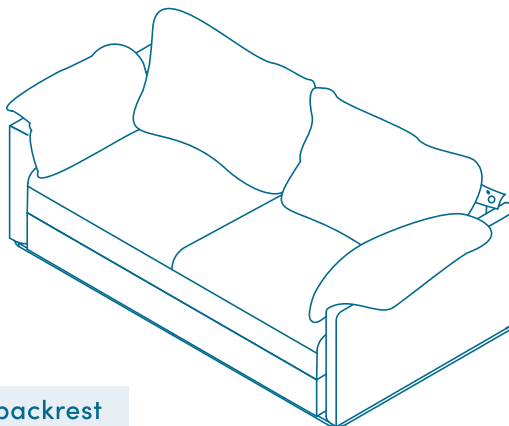


9. Fold up the mattress to convert the sofa bed into its seating position.

Click the button
to watch the
assembly video

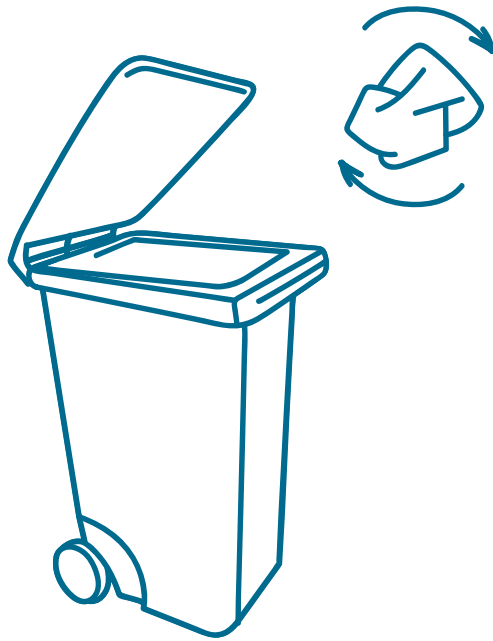


10. Add your backrest and armrest cushions.



Ensure backrest
cushion tag is on
outside

Click the button
to watch the
assembly video



don't forget to recycle.

ko'ala