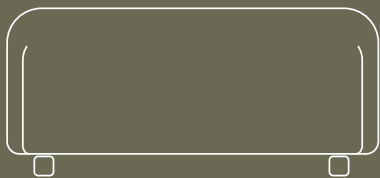
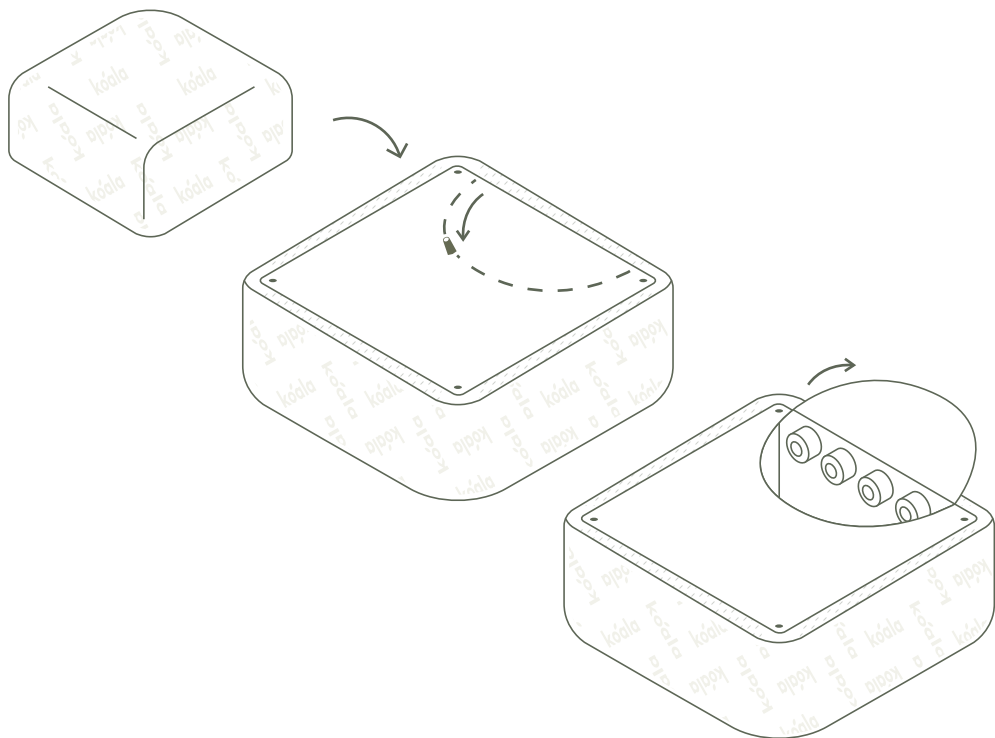


Byron Ottoman



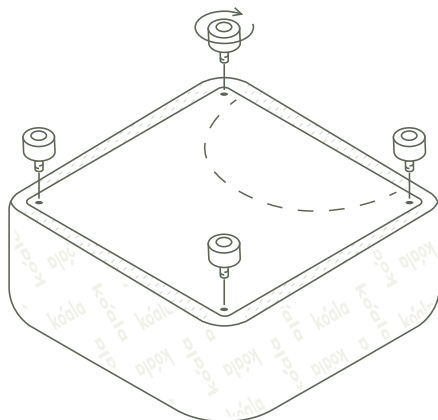
Ko'da

1. Unscrew all legs from inside zip pocket.

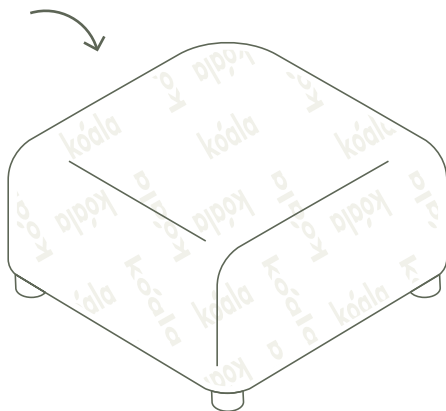


2. Screw legs into the frame.

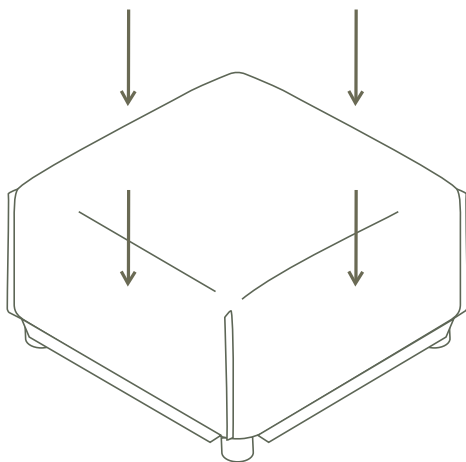
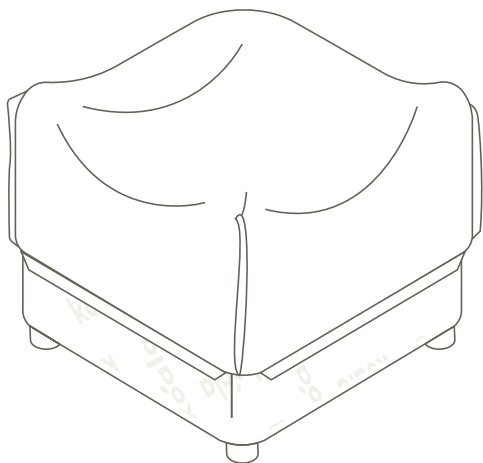
 x4



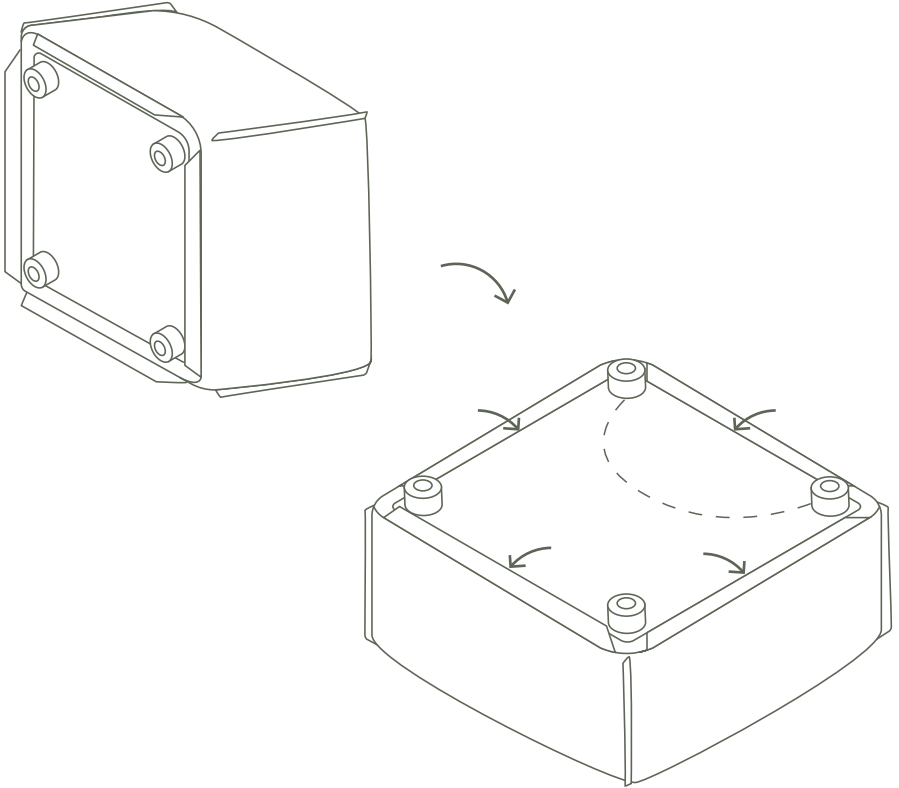
- 3.** Flip the ottoman onto its legs.



- 4.** Drape the cover over the frame.
Align the corners and pull down together.



5. Flip the ottoman over and secure velcro around all 4 edges.



Product Information and Care

FABRIC

Regular Care (Weekly)

- Vacuum regularly using low suction.
- Protect from direct sunlight.

Removable Covers

- For correct care of the removable covers, refer to the care label inside covers for additional cleaning instructions.

Spot Cleaning

- Remove any spills immediately by gently blotting any liquid with a clean cloth.
- Scoop up any solids before blotting the remaining liquid.
- Use a mild detergent to gently remove any loose soilage.
- Do not scrub with a stiff brush.
- Use a clean cloth to blot out any excess liquid.
- Avoid over wetting as this may result in a water mark.
- Allow the fabric to air dry in a well ventilated area away from direct sunlight

NOTE: PRETEST THE CLEANING METHOD ON A HIDDEN AREA OF THE SOFA.
IF CHANGE IN COLOUR, OR TRANSFER DO NOT CONTINUE.

PILLING

Pilling can occur occasionally as a result of normal daily wear and should not be considered a fault. Fibre pills can be removed with a battery operated pilling tool, available from most haberdashery stores.

WARNING: CARELESS USE OF CIGARETTES AND MATCHES COULD SET FIRE TO THIS PRODUCT.

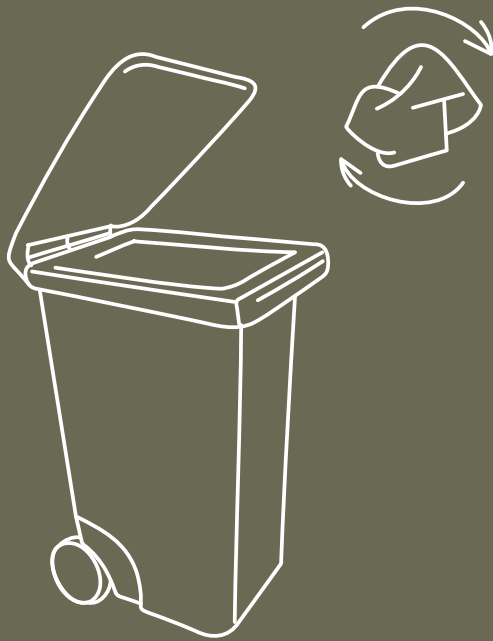
FRAME

Regular Care (Weekly)

- Wipe down with a clean cloth.
- Protect from direct sunlight.

Cleaning

- Do not use abrasive cloths or concentrated detergents on the metal frame.



Don't forget to recycle.

kóala