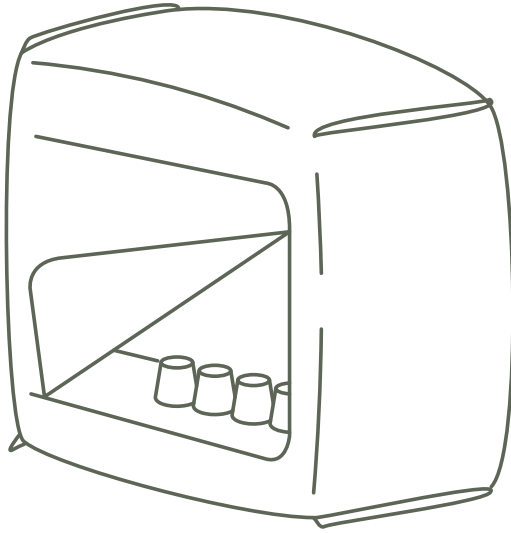




BYRON OTTOMAN

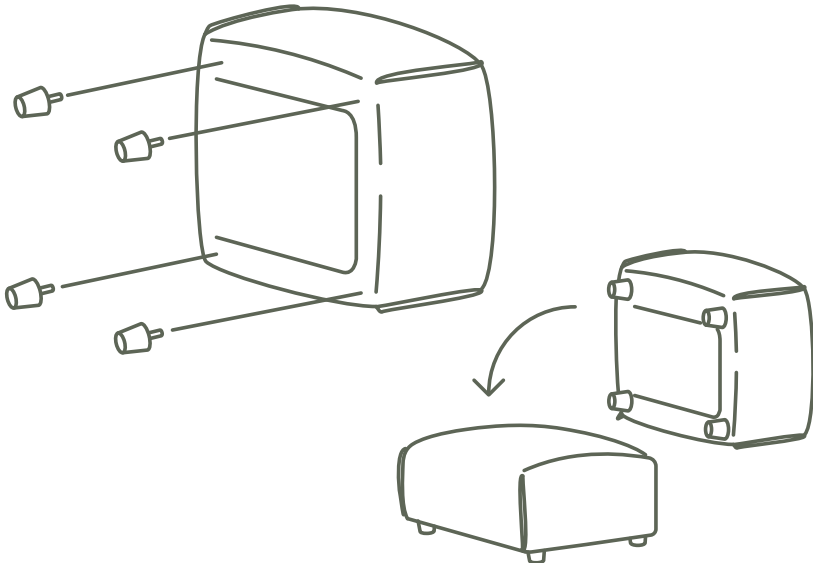
Ko'da

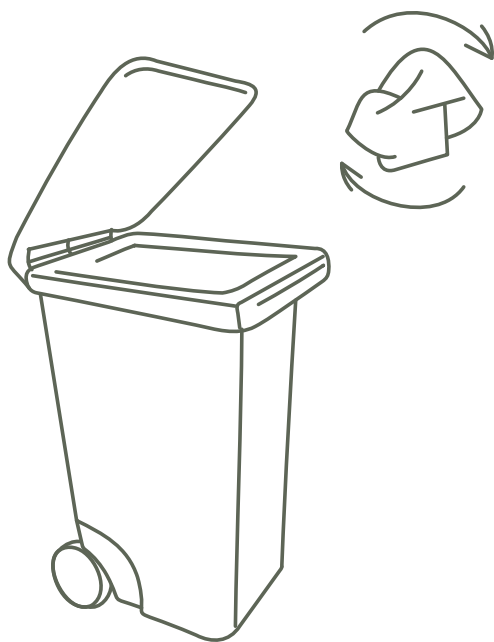
- 1.** Unscrew all legs from inside zip pocket.



 **x4**

-
- 2.** Screw legs into frame.





don't forget to recycle.

kóala