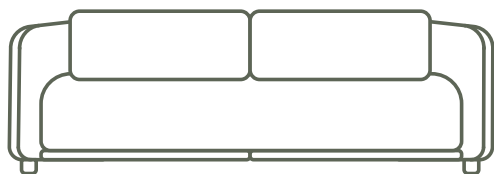


Apr 2024

Click the button
to watch the
assembly video



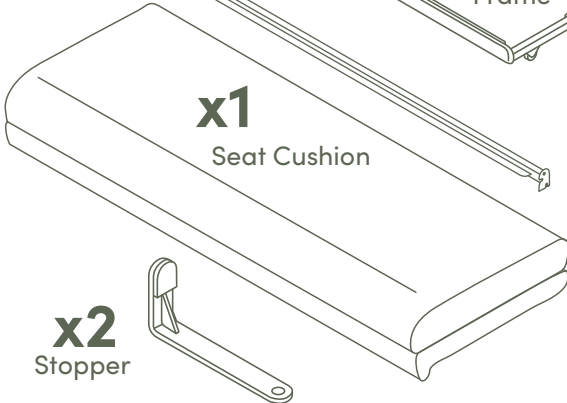
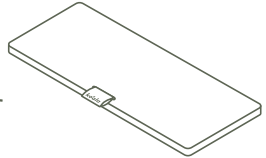
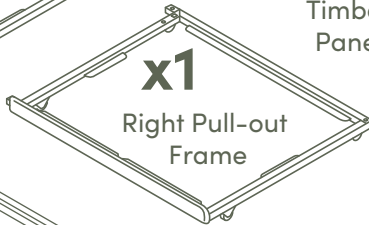
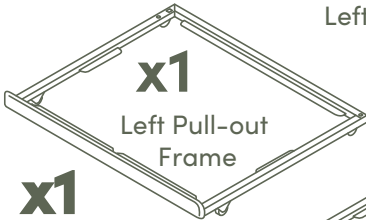
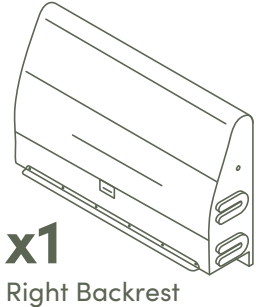
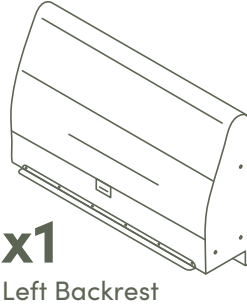
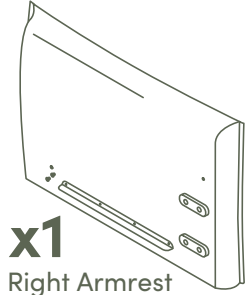
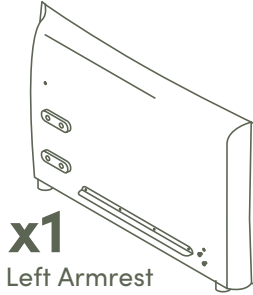
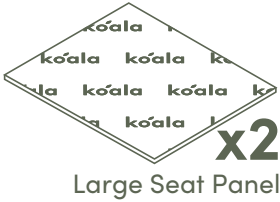
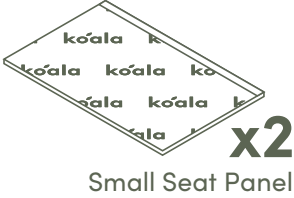
BYRON SOFA BED

koala

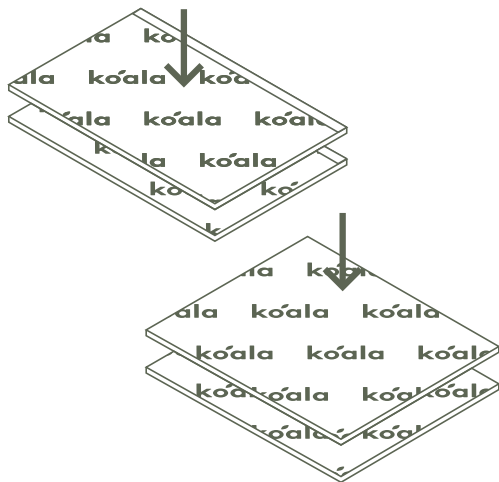
What's in the box*:

x2 
Easier assembly with two people

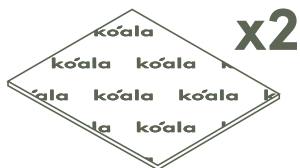
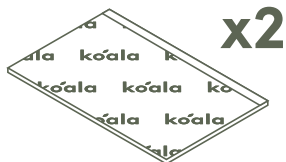
*Not to scale



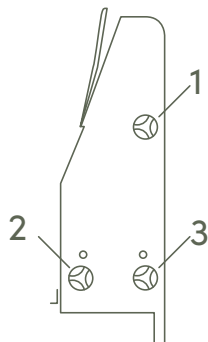
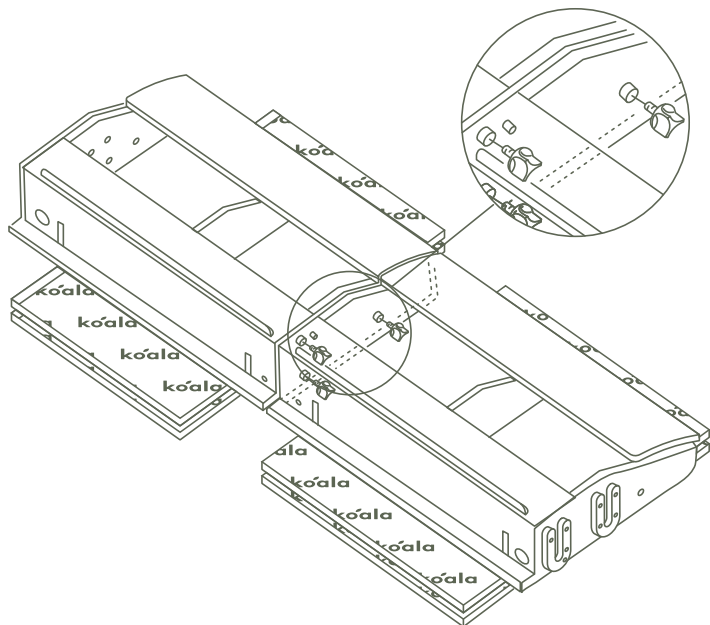
- 1.** Stack two small seat panels and two large seat panels on top of each other and lay side by side.



Click the button
to watch the
assembly video

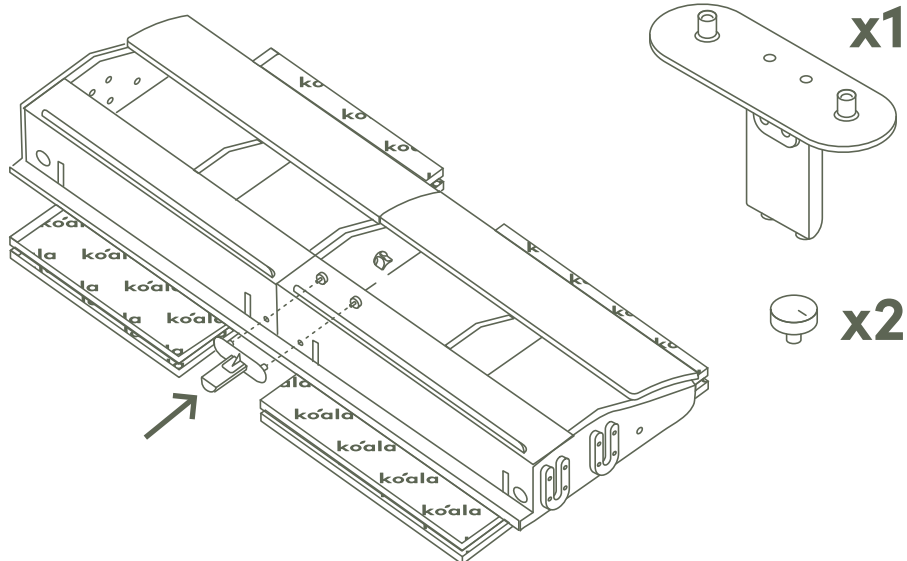


- 2.** Lay backrests flat on top of the seat panels, join together and open the *secret doors* to align and lightly tighten large gumnuts from inside first then fully tighten.

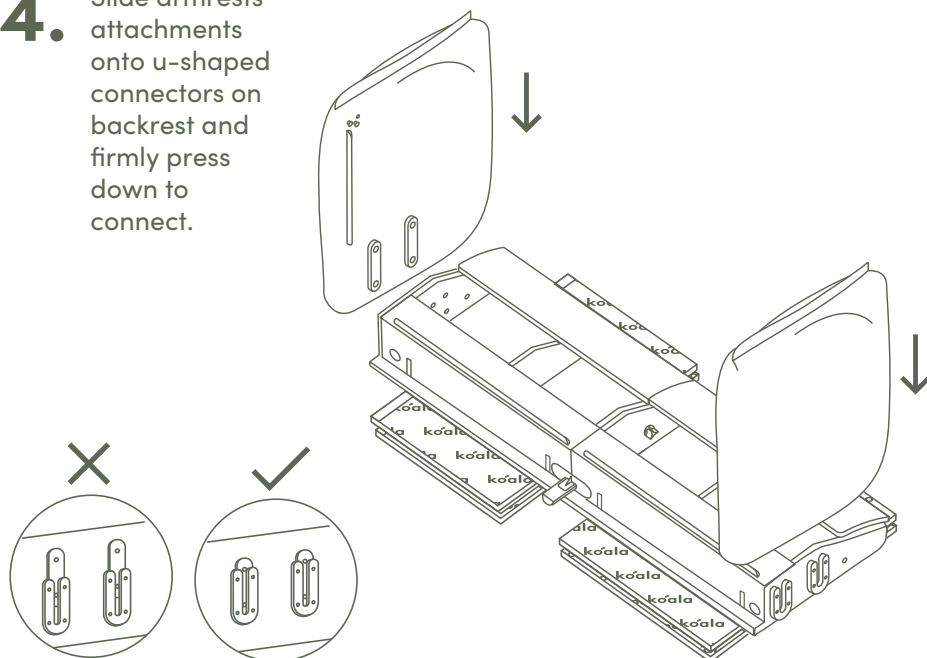


- 3.** Align middle leg on backrests and secure with small gumnut from inside.

Click the button to watch the assembly video

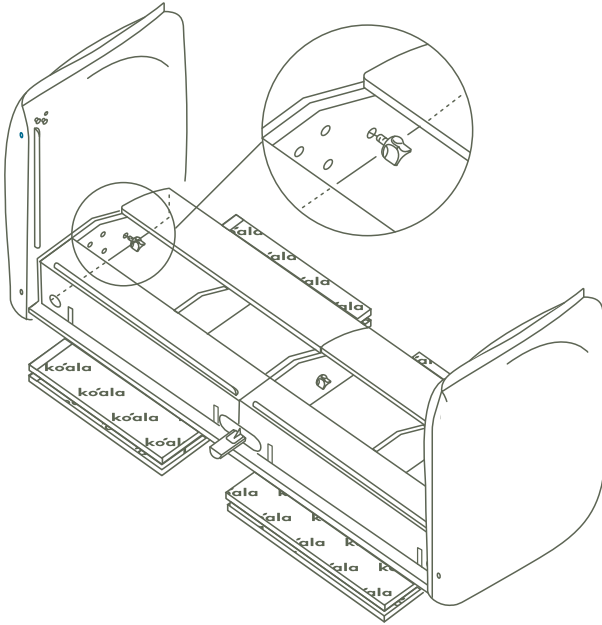


- 4.** Slide armrest attachments onto u-shaped connectors on backrest and firmly press down to connect.



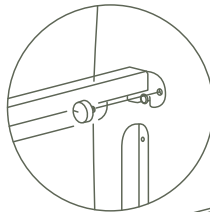
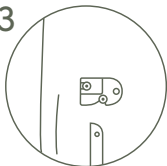
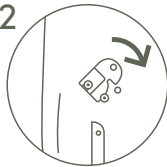
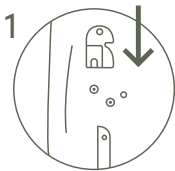
5. Secure each armrest with a large gumnut.

Click the button to watch the assembly video

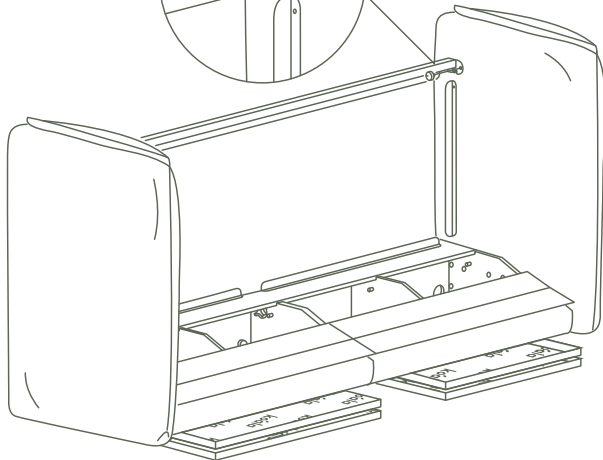


x2

6. Mount front beam to armrest pins and secure with small gumnuts.

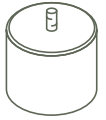
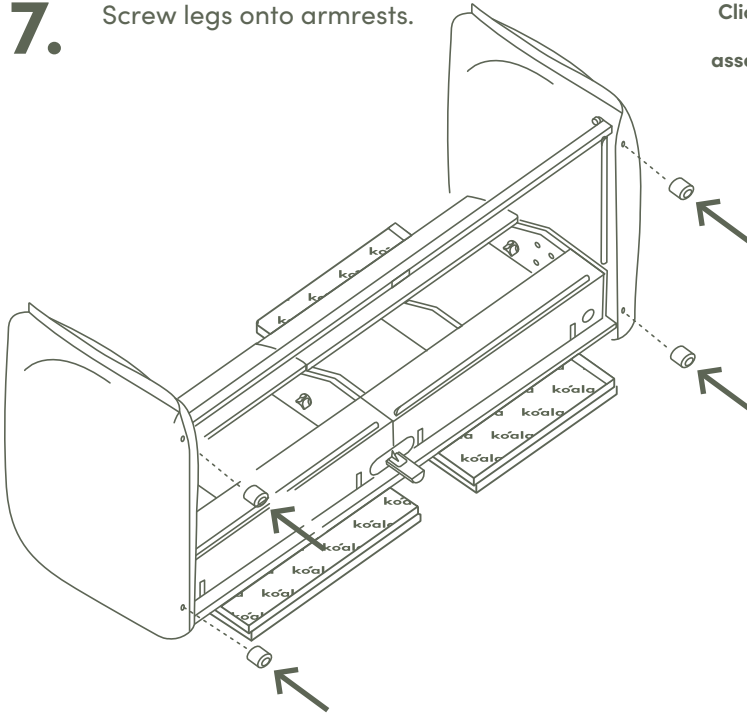


x2



7. Screw legs onto armrests.

Click the button to watch the assembly video

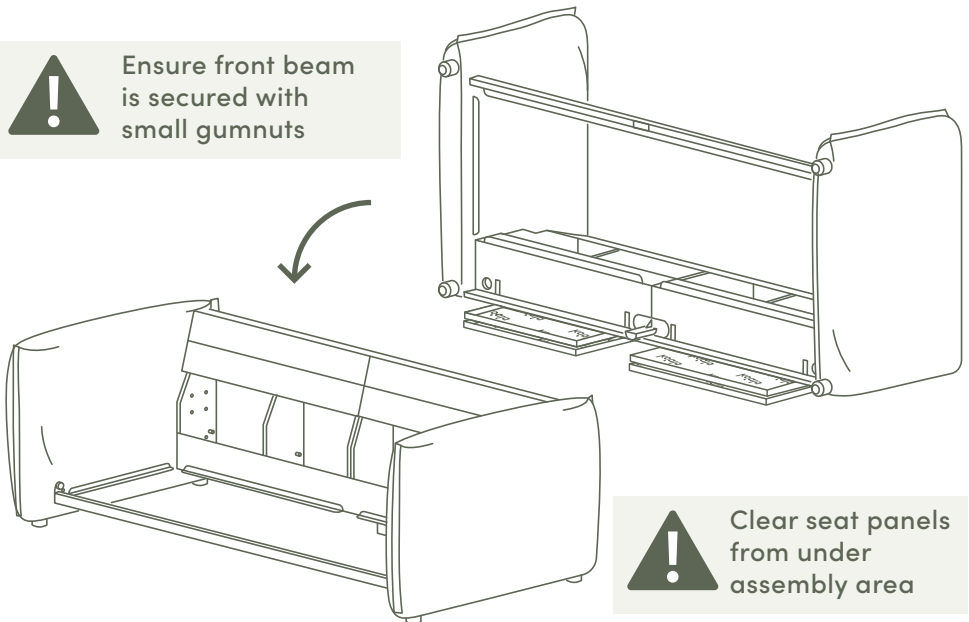


x4

8. Hold the front beam in the middle as a handle and rotate the sofa bed onto its legs.



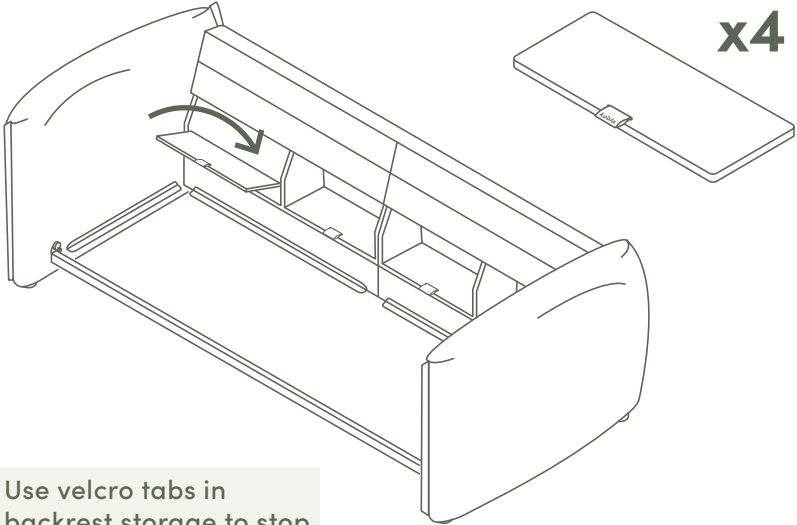
Ensure front beam is secured with small gumnuts



Clear seat panels from under assembly area

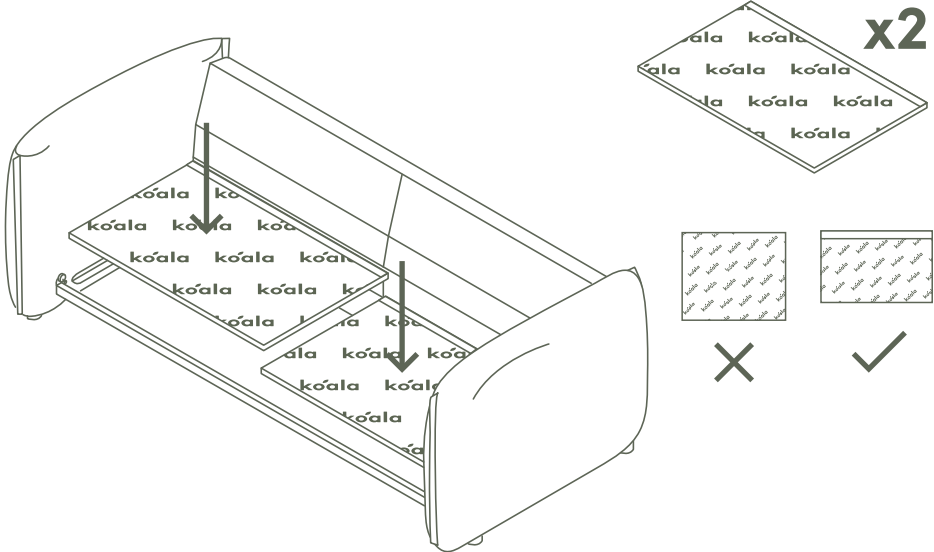
9. Ensure tabs on timber shelves are facing up and place onto pins in backrests, then close the *secret doors*...

Click the button to watch the assembly video



Use velcro tabs in backrest storage to stop mattress movement

10. Place small seat panels onto seat frame.



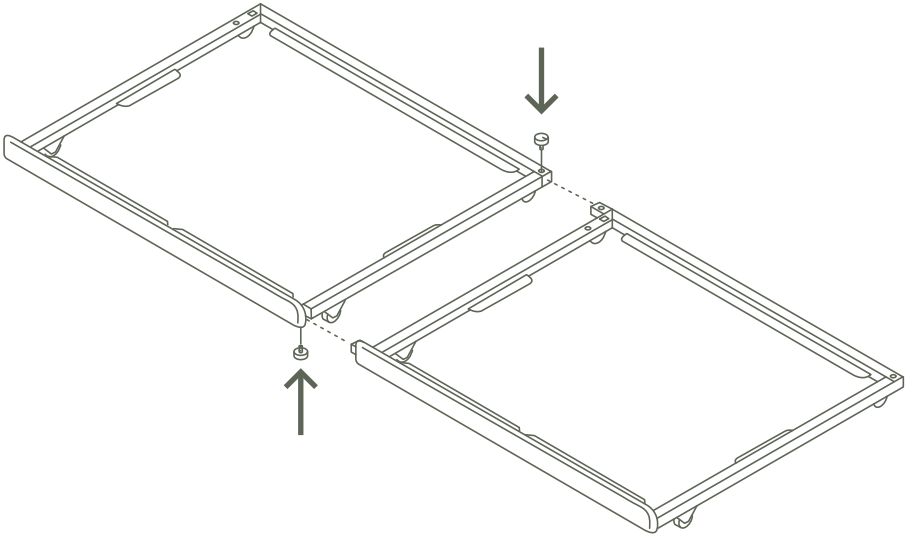
11.

Slide each half of the pull-out frame together and secure with one gumnut at the bottom front, and one gumnut at the top rear.

Click the button to watch the assembly video

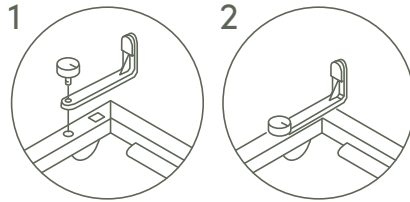


x2

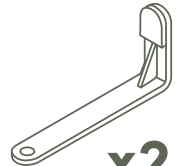
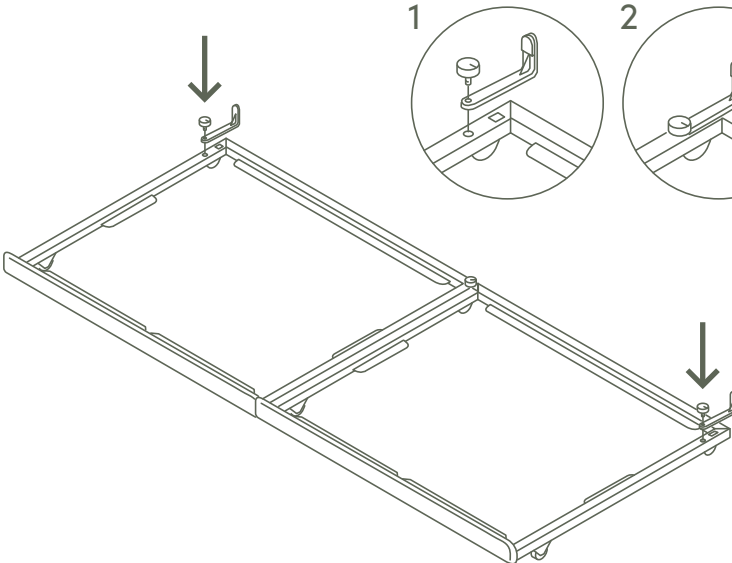


12.

Mount a stopper on each pull-out frame and secure with a gumnut.



x2

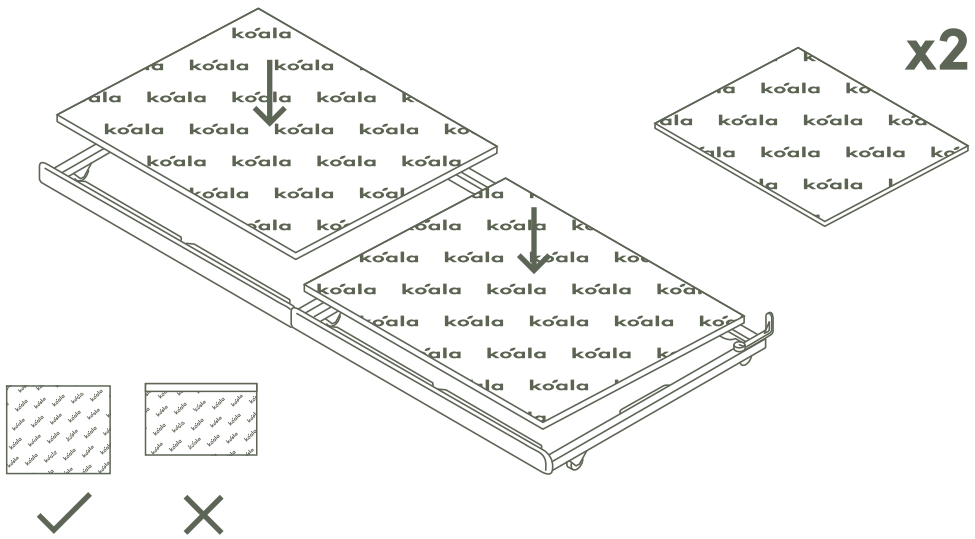


x2

13.

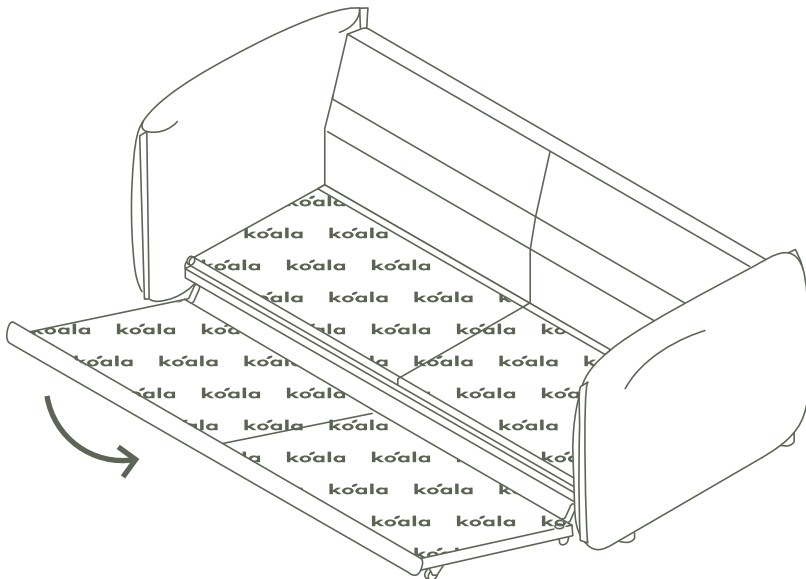
Place large seat panels onto pull-out frame.

Click the button to watch the assembly video



14.

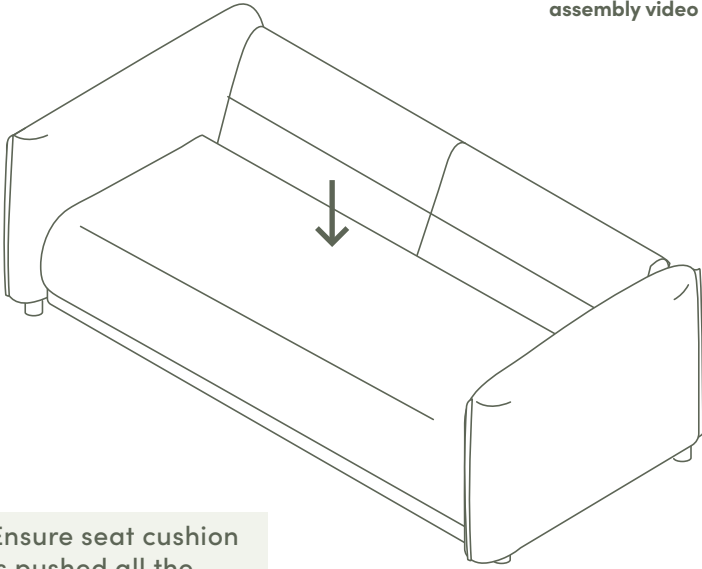
Lift the front of the pull-out frame and slide the back end underneath the front beam of the seat frame.



15.

Place seat cushion onto seat frame.

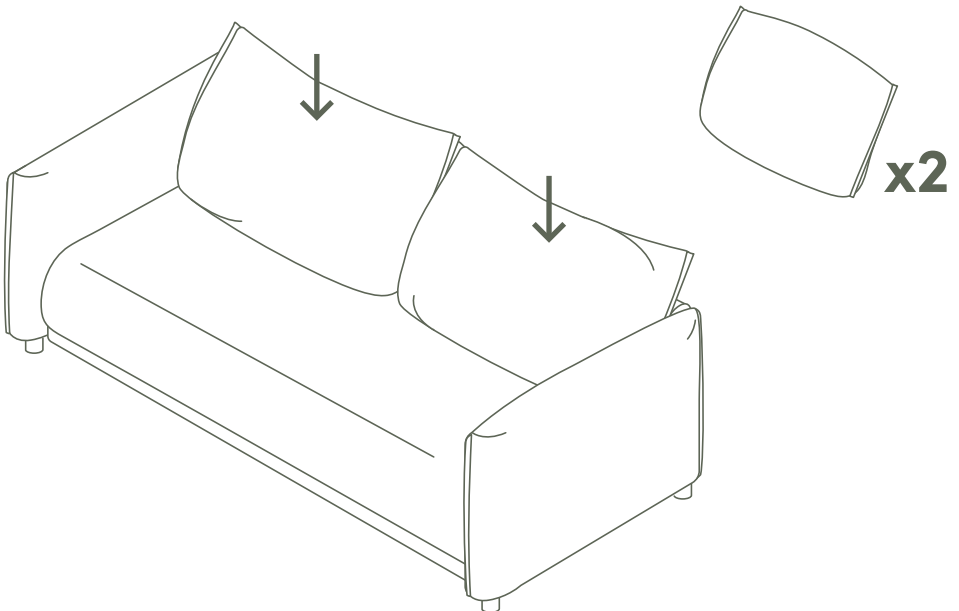
Click the button
to watch the
assembly video



Ensure seat cushion
is pushed all the
way back

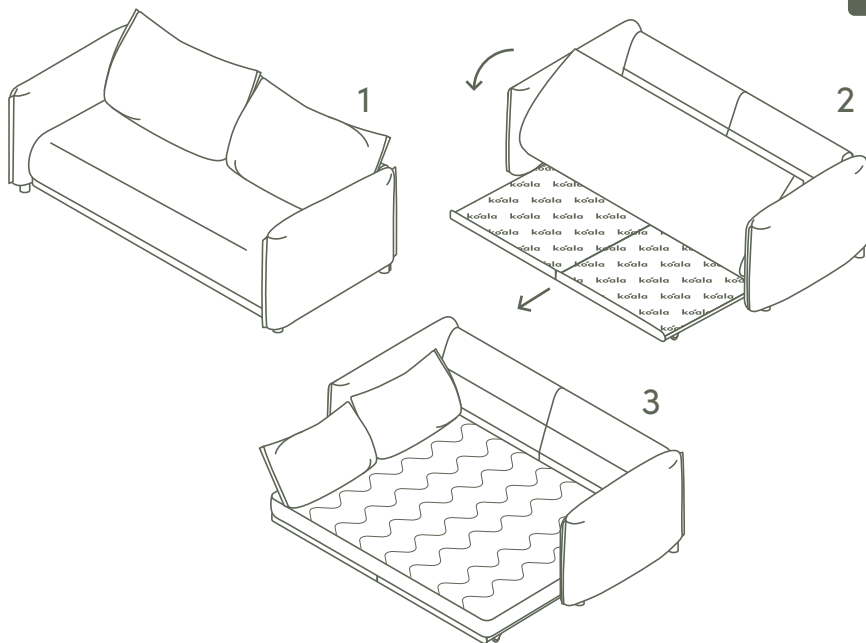
16.

Place backrest cushions onto sofa bed.

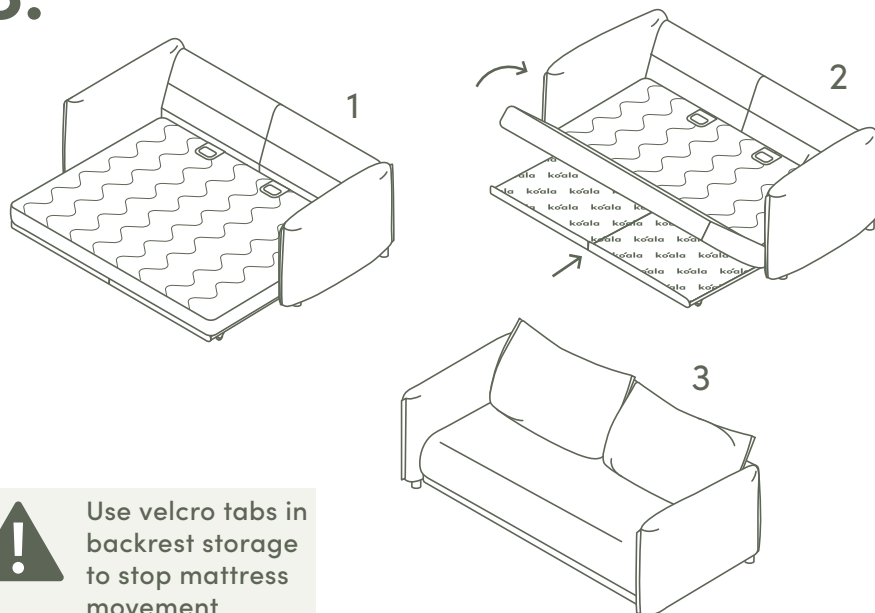


17. Converting to sofa bed

Click the button to watch the assembly video



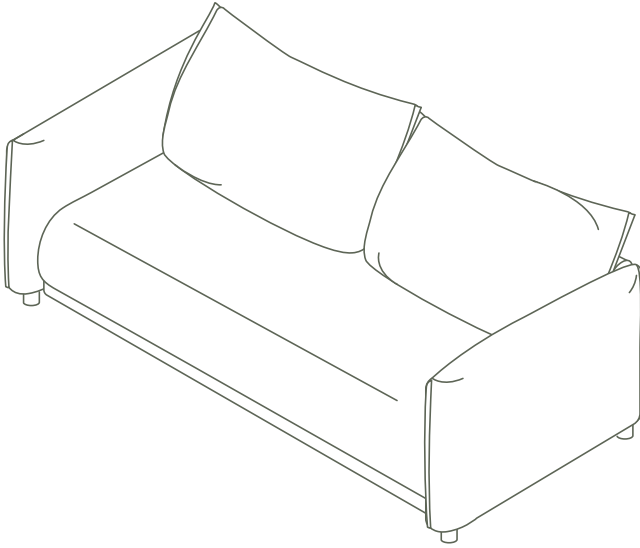
18. Converting to bed sofa



Use velcro tabs in backrest storage to stop mattress movement

19. Enjoy!

Click the button
to watch the
assembly video





FABRIC

Regular Care (Weekly)

- Vacuum regularly using low suction.
- Protect from direct sunlight.

Spot Cleaning

- Remove any spills immediately by gently blotting any liquid with a clean cloth.
- Scoop up any solids before blotting the remaining liquid.
- Use a mild detergent to gently remove any loose soilage.
- Do not scrub with a stiff brush.
- Use a clean cloth to blot out any excess liquid.
- Avoid over wetting as this may result in a water mark.
- Allow the fabric to air dry in a well ventilated area away from direct sunlight

NOTE: PRETEST THE CLEANING METHOD ON A HIDDEN AREA OF THE SOFA. IF CHANGE IN COLOUR, OR TRANSFER DO NOT CONTINUE.

PILLING

Pilling can occur occasionally as a result of normal daily wear and should not be considered a fault. Fibre pills can be removed with a battery operated pilling tool, available from most haberdashery stores.

WARNING: CARELESS USE OF CIGARETTES AND MATCHES COULD SET FIRE TO THIS PRODUCT.

FRAME

Regular Care (Weekly)

- Wipe down with a clean cloth.
- Protect from direct sunlight.

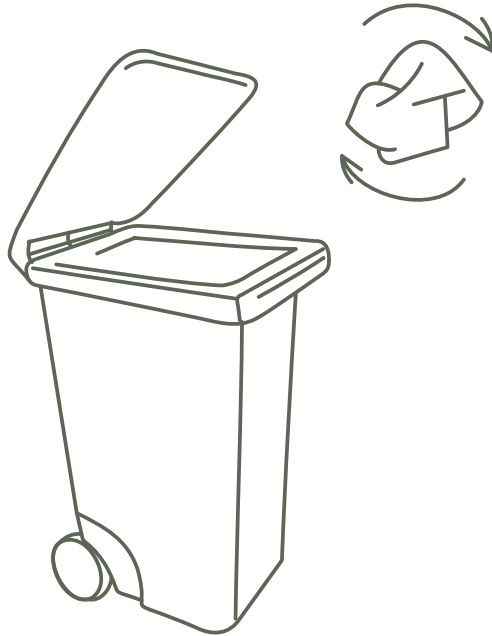
Cleaning

- Do not use abrasive cloths or concentrated detergents on metal frame.

SAFETY AND USE

- Pull and push the sofa bed frame in a straight direction from the middle.
- Take care of your fingers when closing the bed frame.
- Do not jump or stand directly on the bed frame.
- Avoid sitting on the arms or backrest.
- Avoid dragging the sofa bed if you need to move it (remember to remove the bed frame first).

Click the button
to watch the
assembly video



don't forget to recycle.

koala