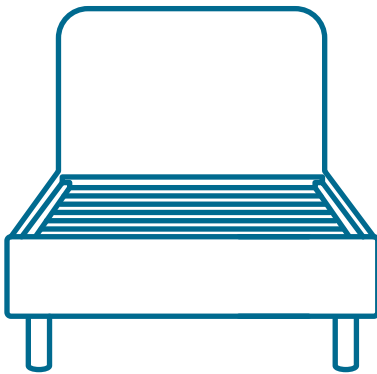


Click the button
to watch the
assembly video



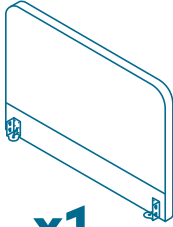
BRUNSWICK BED BASE
SINGLE

Korona

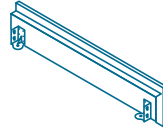
What's in the box*:

*Not to scale

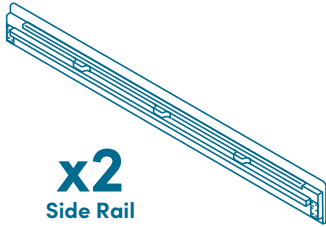
Click the button
to watch the
assembly video



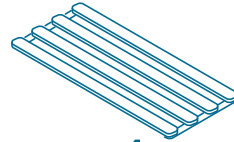
x1
Head Board



x1
Foot Rail



x2
Side Rail



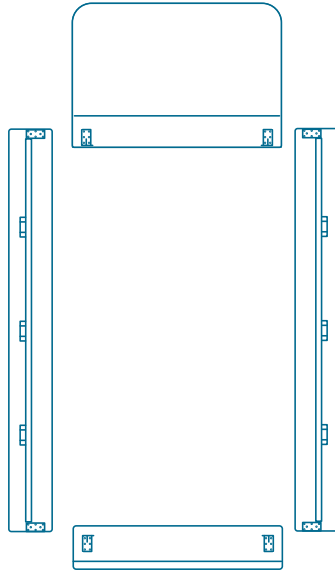
x4
Slat



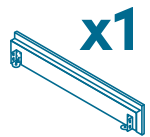
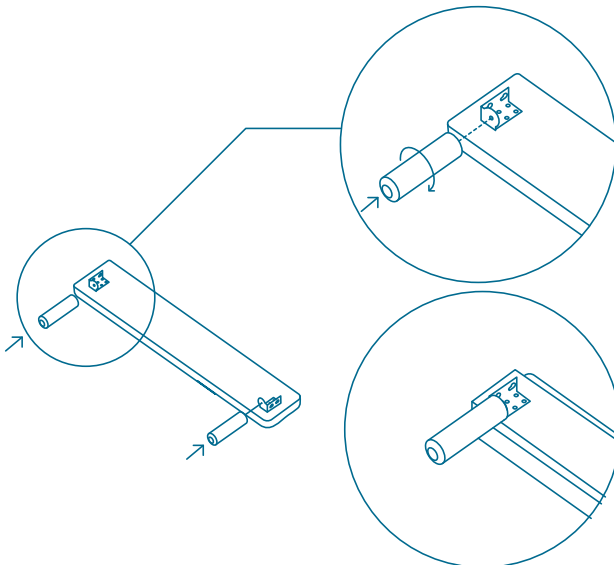
x4
Corner Leg

- 1.** Place the headboard, foot rail and side rails where you want to position your bed.

Click the button to watch the assembly video

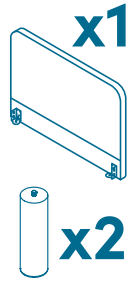
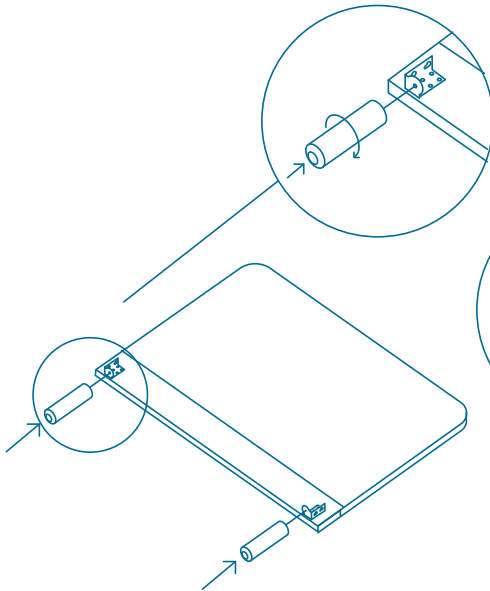


- 2.** Screw in corner legs to foot rail.



3. Screw in corner legs to headboard

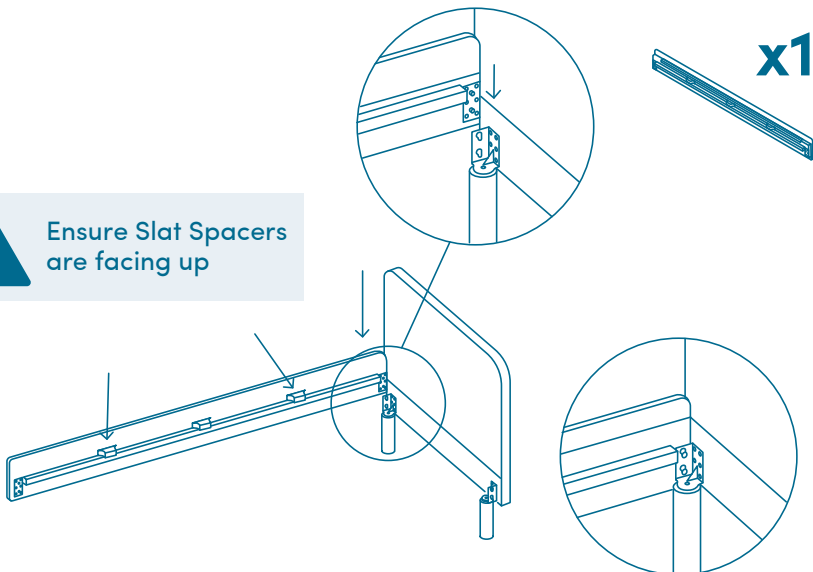
Click the button to watch the assembly video



4. Attach the side rails to headboard by aligning the pins into the holes and pushing down.



Ensure Slat Spacers are facing up

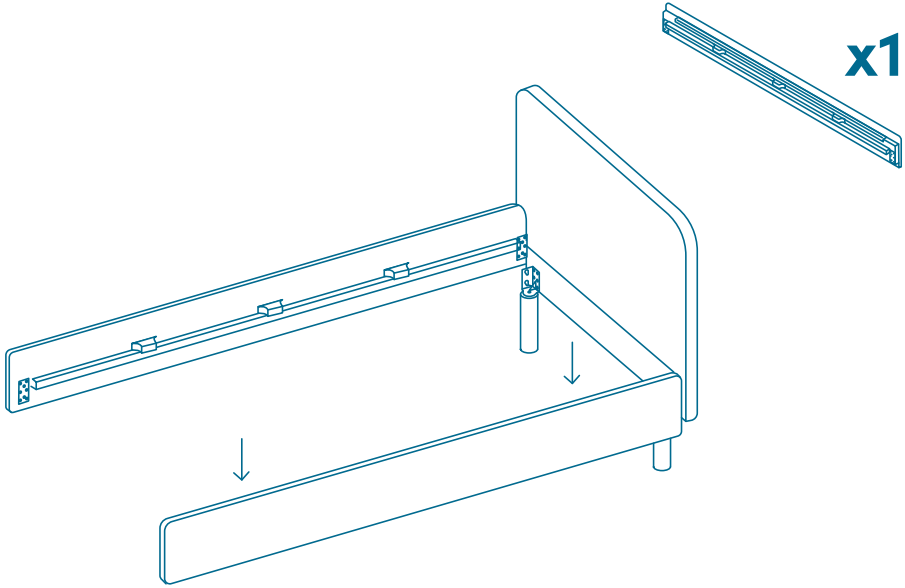


5. Repeat the prior step with the other side rail.

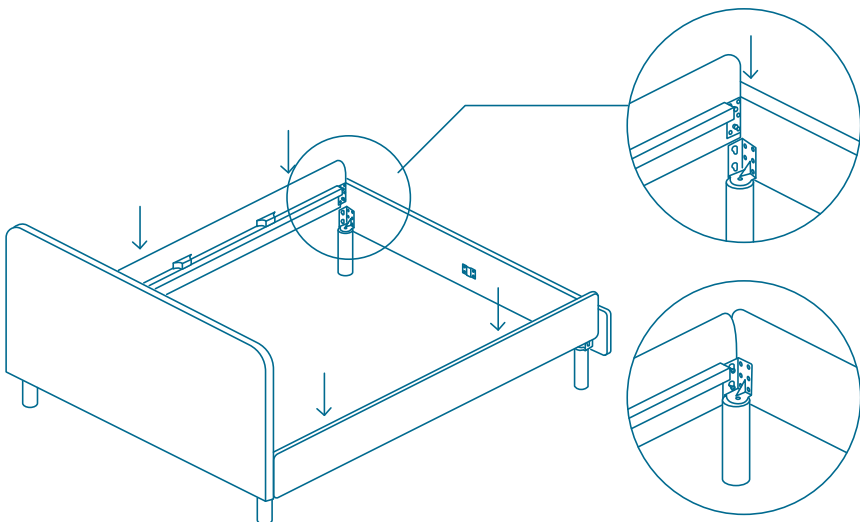
Click the button to watch the assembly video



x1

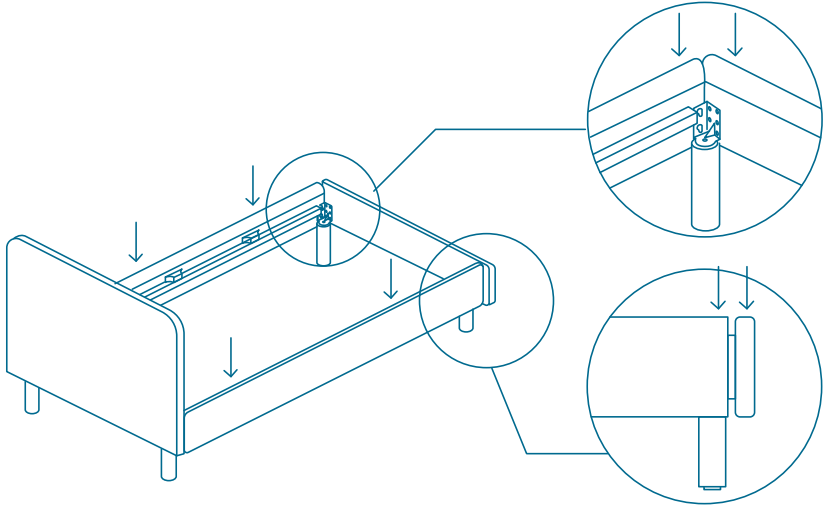


6. Align and fit the side rails into the foot rail.

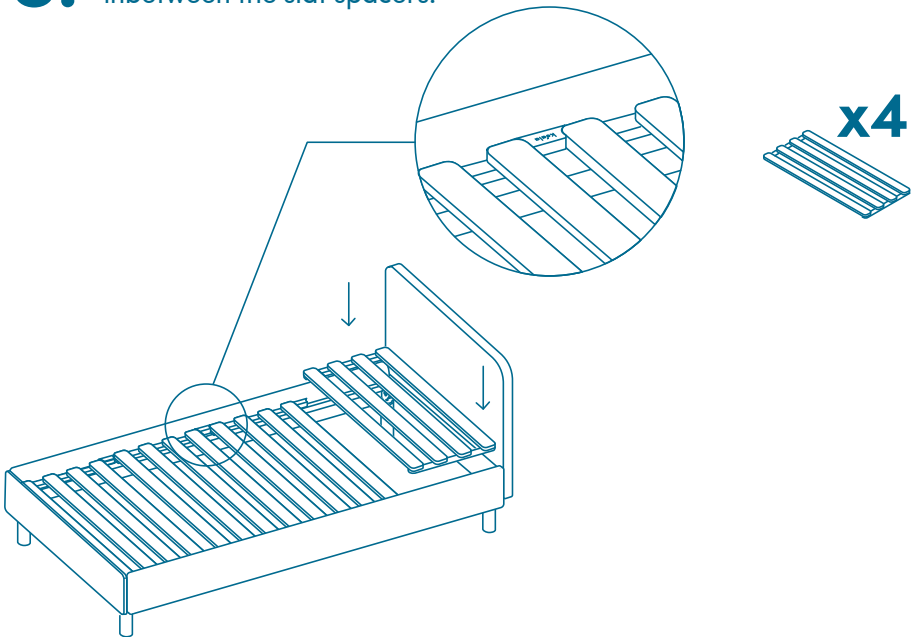


7. Make sure all pins are at the bottom of the bracket slots and the foot rail is flush with the side rail.

Click the button to watch the assembly video

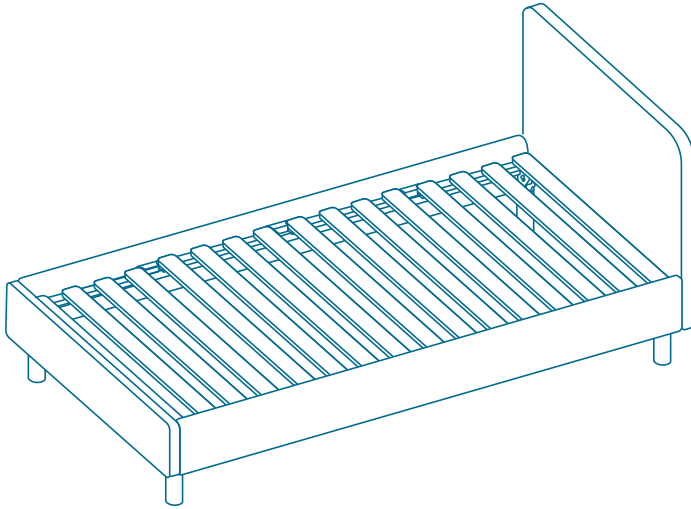


8. Place slats onto bed base inbetween the slot spacers.

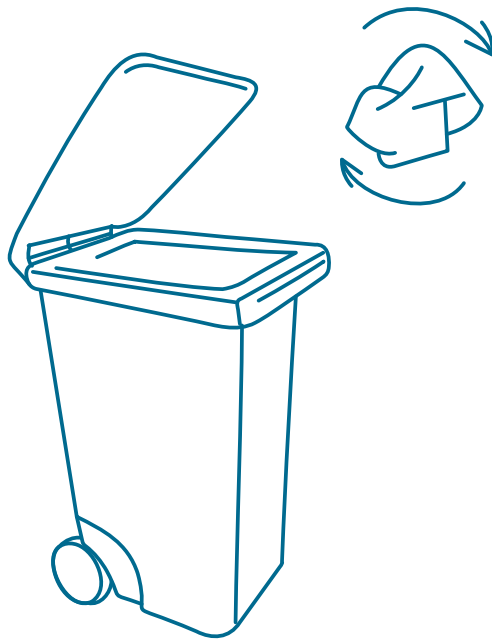


9. Enjoy!

Click the button
to watch the
assembly video



Click the button
to watch the
assembly video



don't forget to recycle.

koala