

Click the button  
to watch the  
assembly video



**BRUNSWICK BED BASE**  
**KING SINGLE / DOUBLE / QUEEN**

**o  
|  
o  
o  
K**

# What's in the box\*:

\*Not to scale

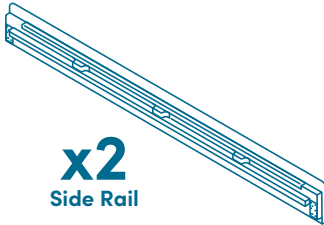
Click the button  
to watch the  
assembly video



**x1**  
Head Board



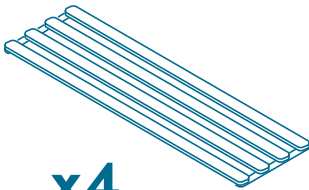
**x1**  
Foot Rail



**x2**  
Side Rail



**x2**  
Centre Rail



**x4**  
Slat



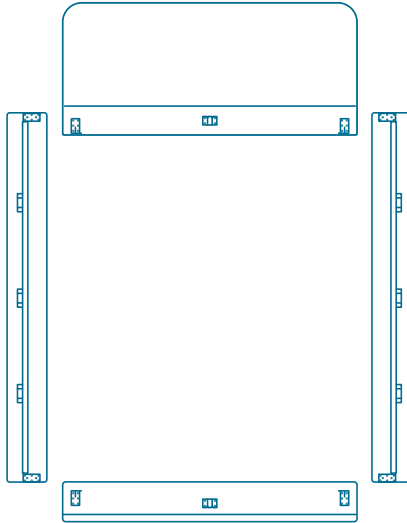
**x1**  
Centre Leg



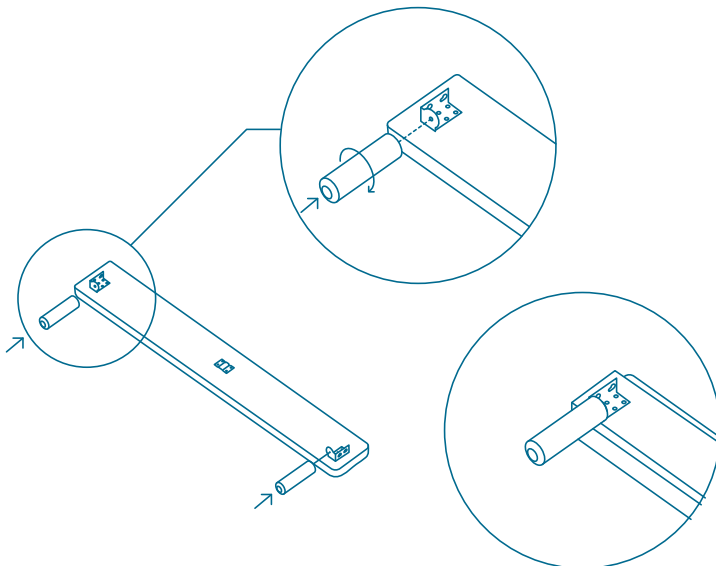
**x4**  
Corner Leg

- 1.** Place the headboard, foot rail and side rails where you want to position your bed.

Click the button to watch the assembly video

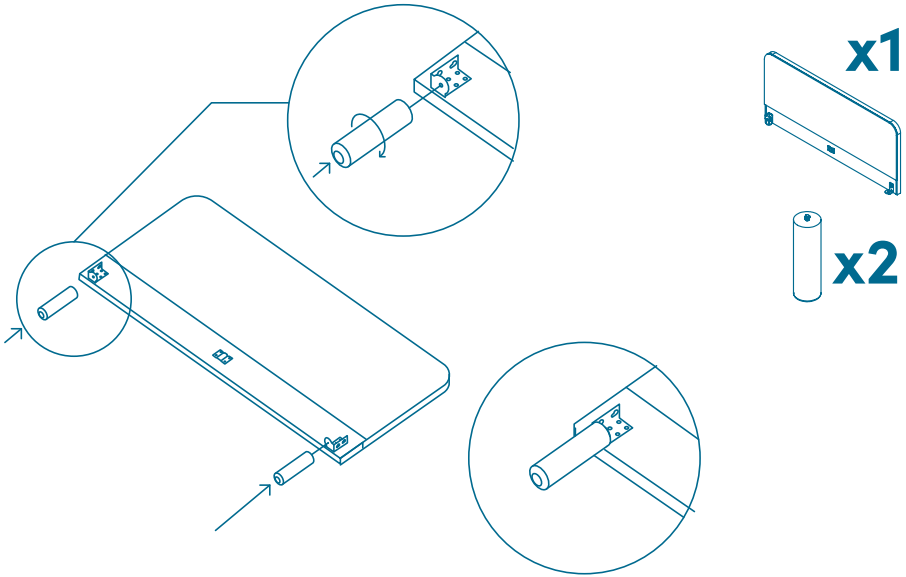


- 2.** Screw in corner legs to foot rail.



### 3. Screw in corner legs to headboard

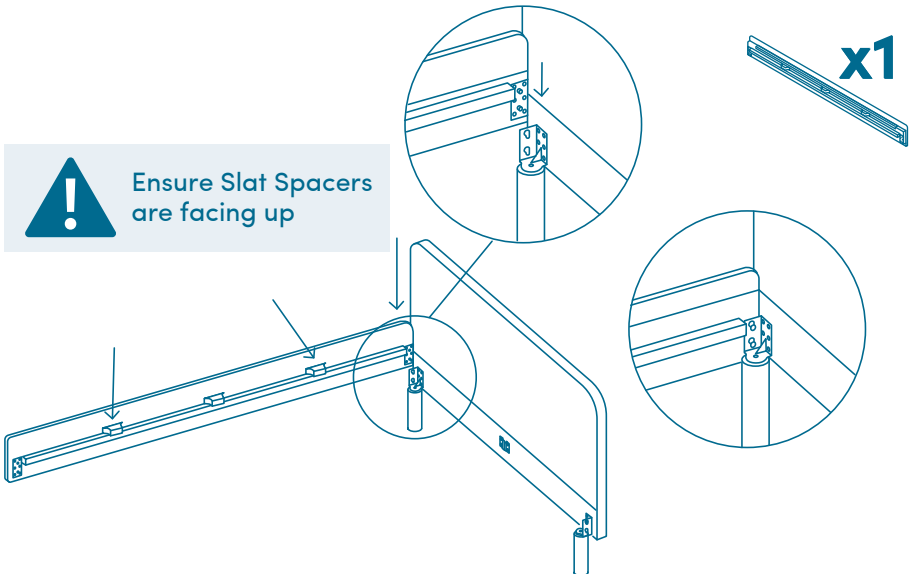
Click the button to watch the assembly video



### 4. Attach the side rails to headboard by aligning the pins into the holes and pushing down.

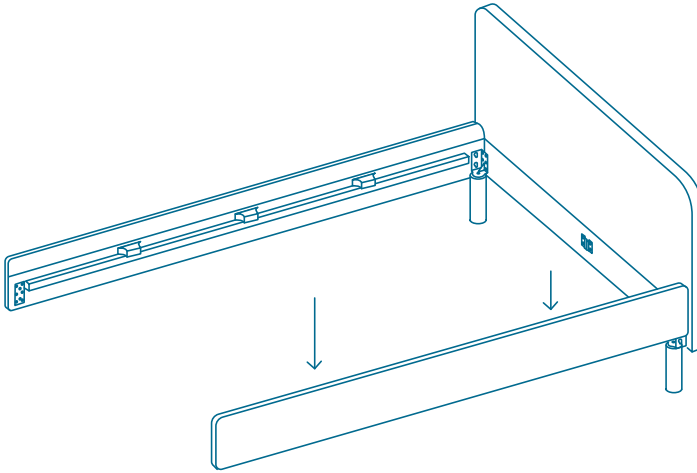
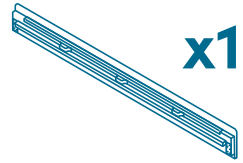


Ensure Slat Spacers are facing up

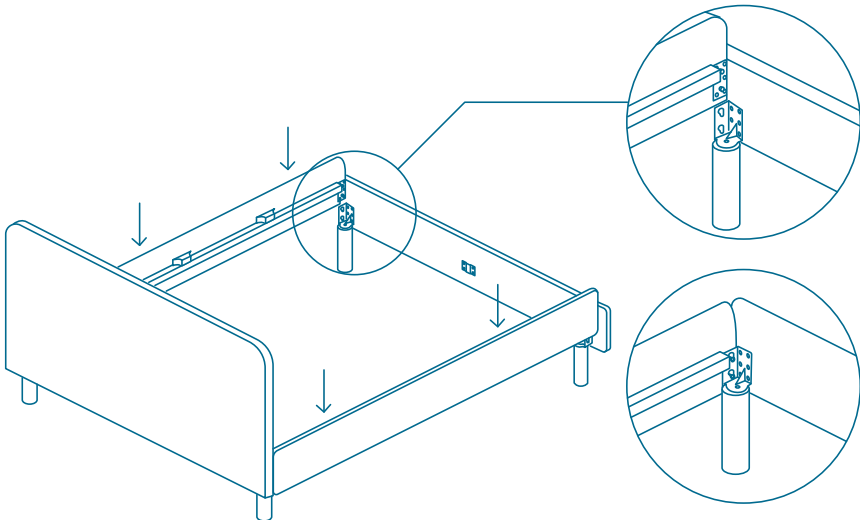


**5.** Repeat the prior step with the other side rail.

Click the button to watch the assembly video

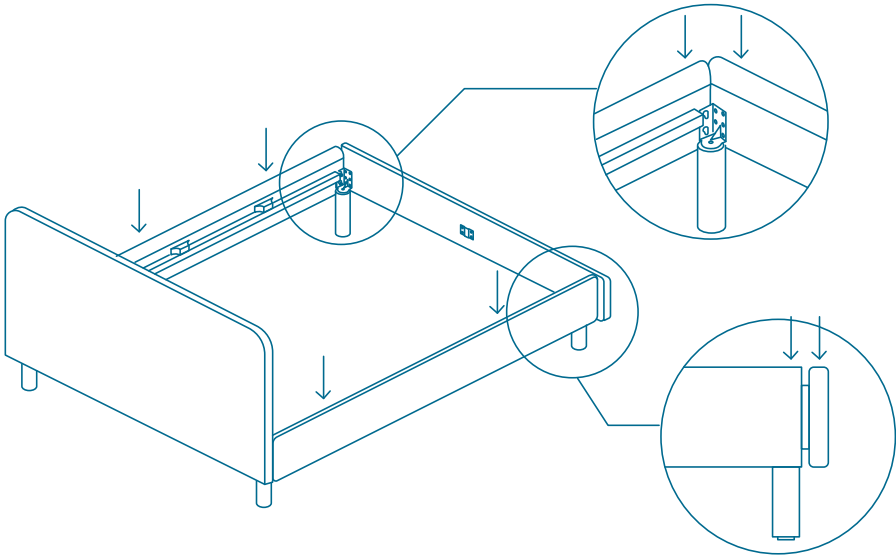


**6.** Align and fit the side rails into the foot rail.

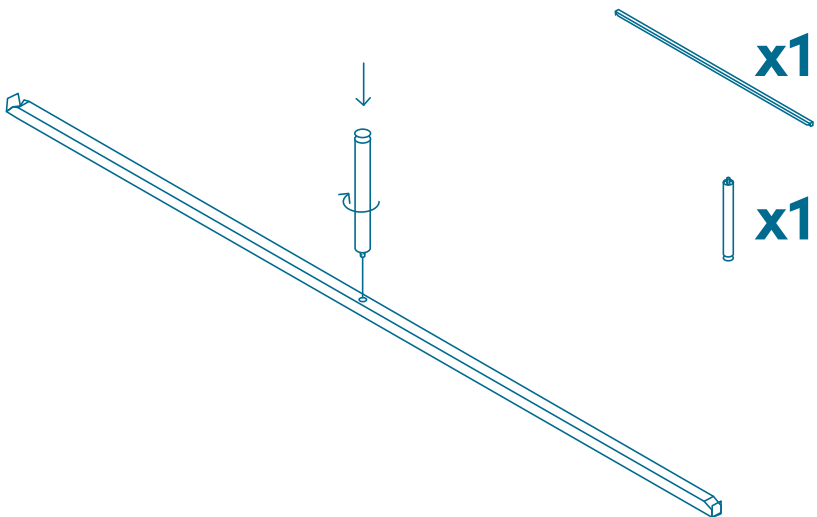


**7.** Make sure all pins are at the bottom of the bracket slots and the foot rail is flush with the side rail.

Click the button to watch the assembly video

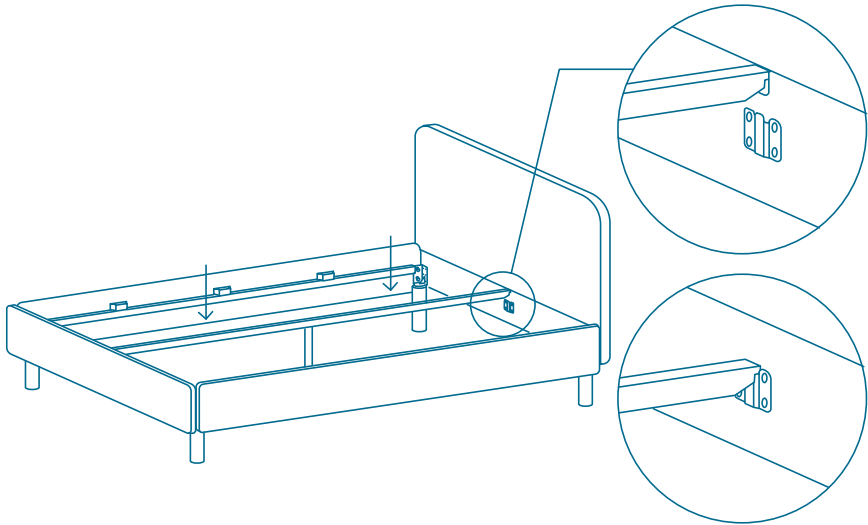


**8.** Screw metal leg into metal centre rail.



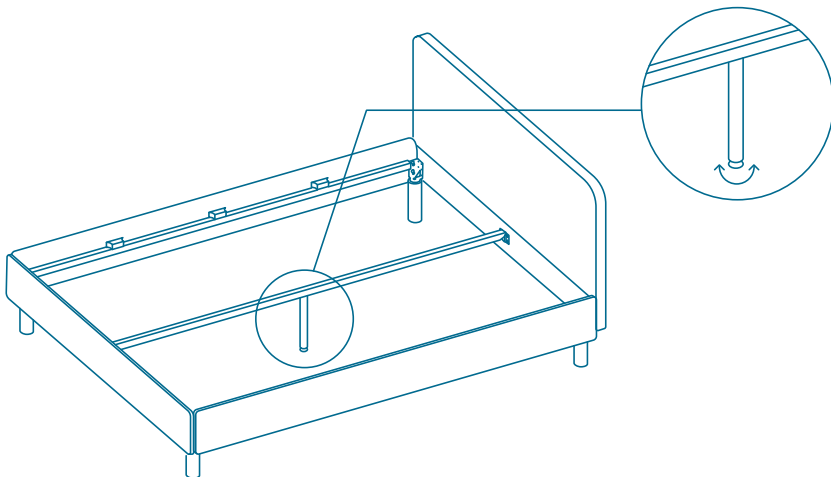
**9.** Assemble centre rail to headboard and foot rail by placing the tab inside the brackets.

Click the button to watch the assembly video



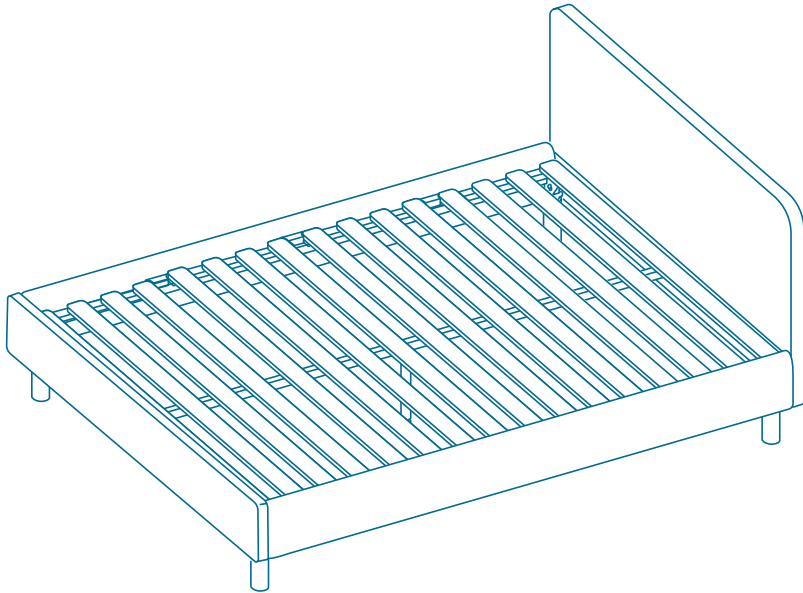
---

**10.** Adjust the foot on the metal leg so it almost touches the ground.



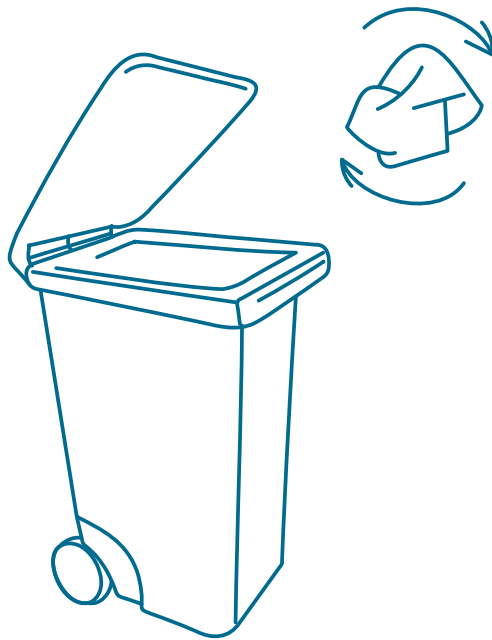
11. Enjoy!

Click the button  
to watch the  
assembly video





Click the button  
to watch the  
assembly video



don't forget to recycle.

**koala**