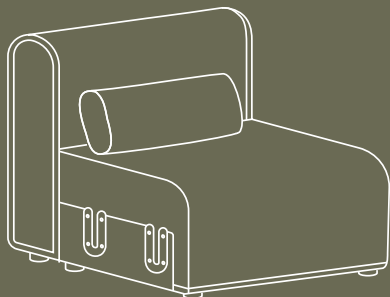
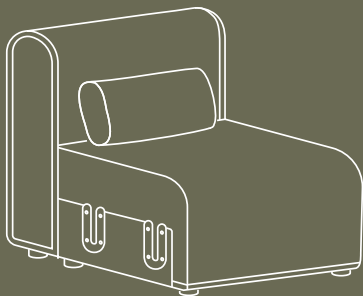


# Bangalow Modular Sofa

## Small and Large Seat Module

Click the button  
to watch the  
assembly video

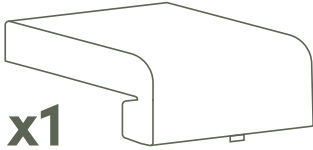


o  
i  
o  
o  
k

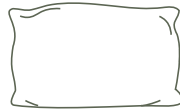
# What's in the box\*

\*Not to scale

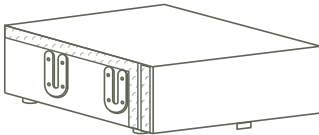
## BOX 1



**x1**  
Small/Large  
Seat Module Cushion



**x1**  
Small/Large  
Backrest Cushion  
Insert



**x1**  
Small/Large  
Seat Module Frame

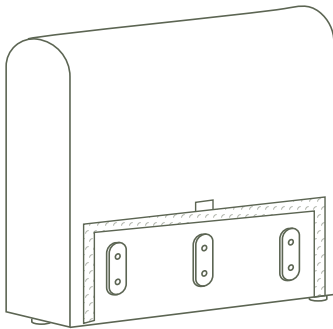


**x2**  
Hook



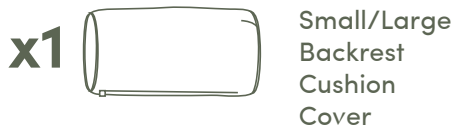
**x4**  
Leg

## BOX 2



**x1**  
Small/Large  
Armrest/Backrest  
Module Frame

## BOX 3



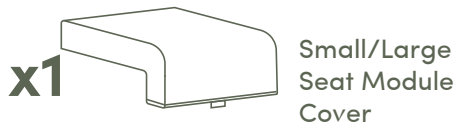
**x1**

Small/Large  
Backrest  
Cushion  
Cover



**x1**

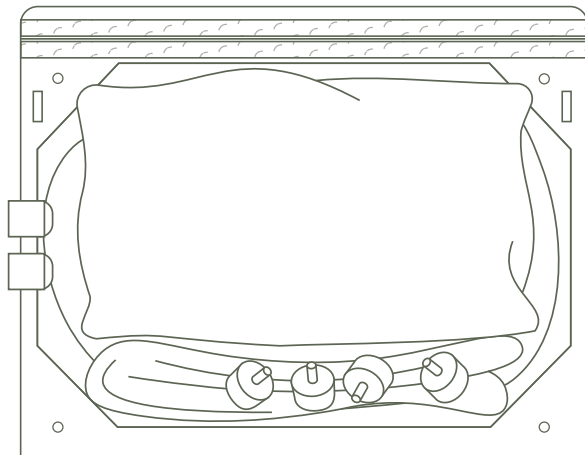
Small/Large  
Armrest/Backrest  
Module  
Cover



**x1**

Small/Large  
Seat Module  
Cover

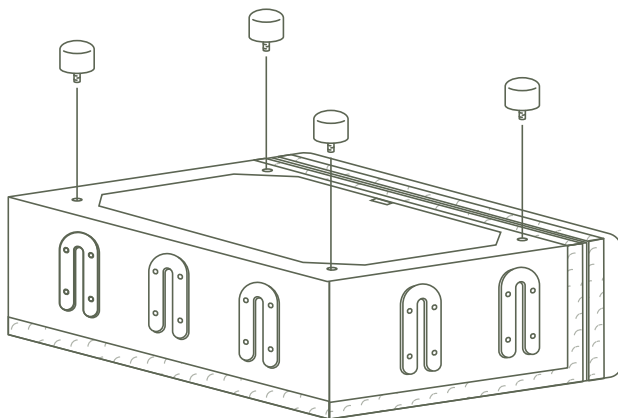
- 1.** Remove the seat module cushion, backrest cushion insert, legs and hooks from the seat module frame.



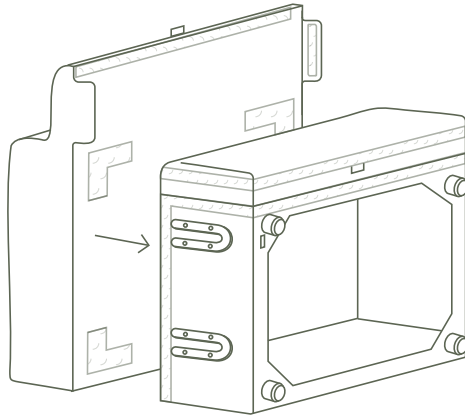
- 2.** Screw the legs into the seat module frame.



**x4**



**3.** Place the seat module frame on its side with the label facing up then align the labels and place the cushion on the frame.

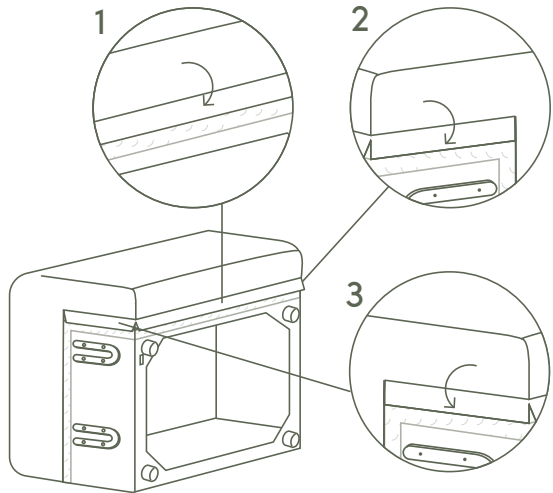
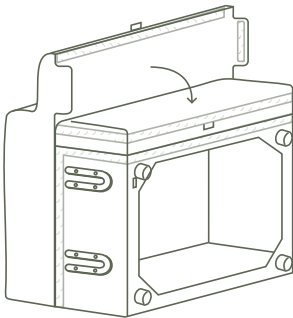


The velcro is colour coordinated



Ensure all yellow tags align

**4.** Secure the front base velcro then the front side velcro in place.

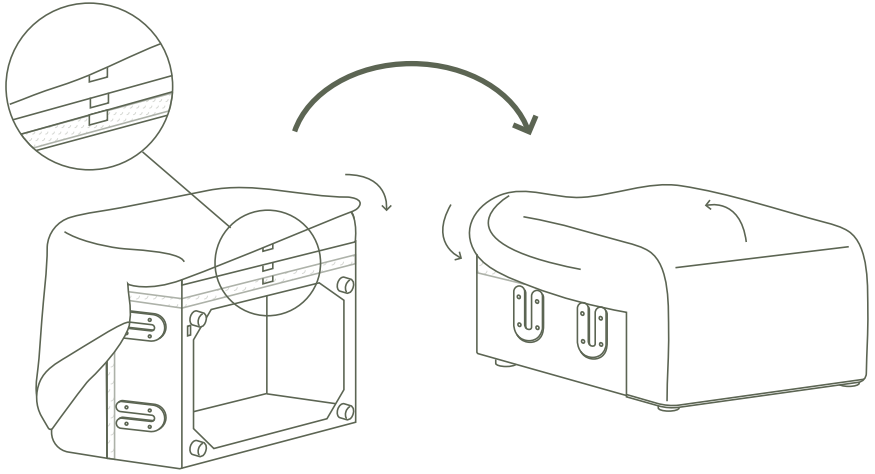


The velcro is colour coordinated



Ensure all yellow tags align

**5.** Grab the seat module cover, align the seat module labels and secure the cover velcro in place.

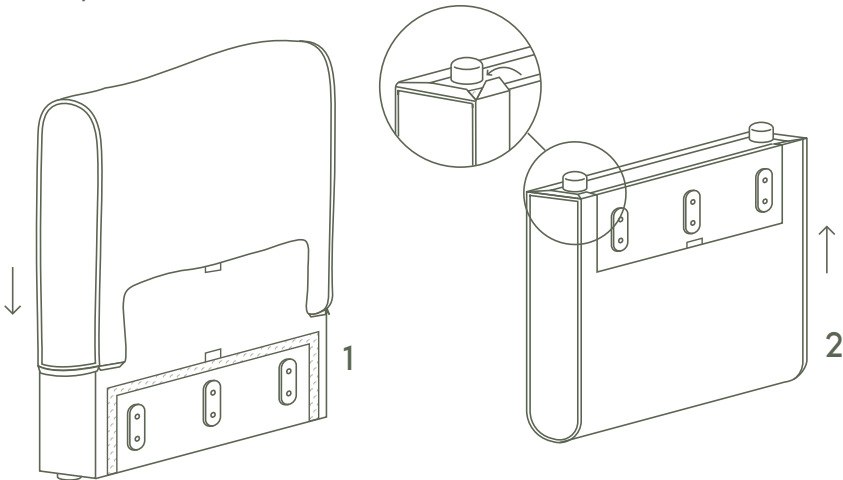


Ensure all yellow tags align



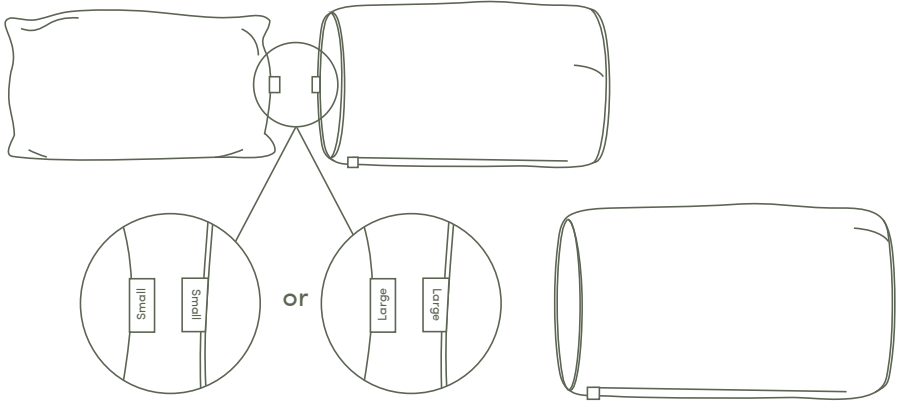
The velcro is colour coordinated

**6.** Grab the armrest/backrest module cover, align the frame label with the cover label then tug the cover onto the frame and secure the velcro in place.



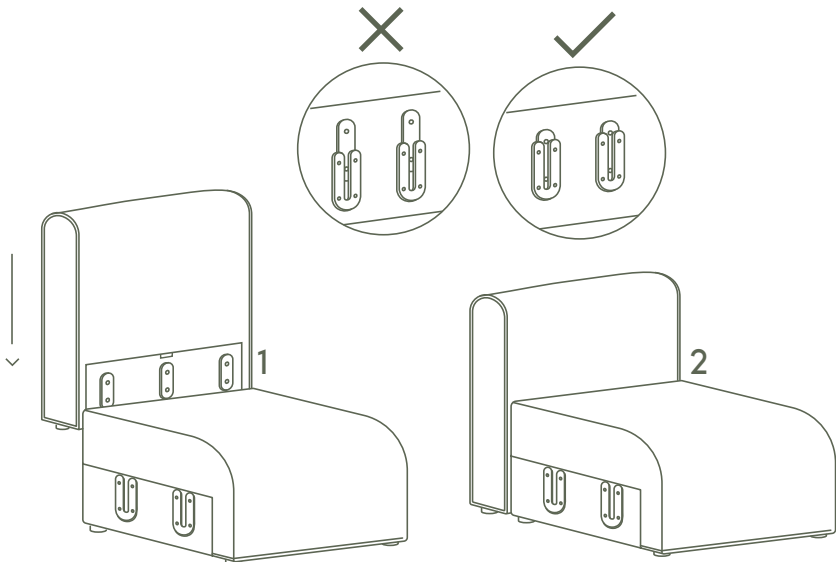
Ensure all yellow tags align

- 7.** Place the backrest cushion insert into the backrest cushion cover and close the zip.

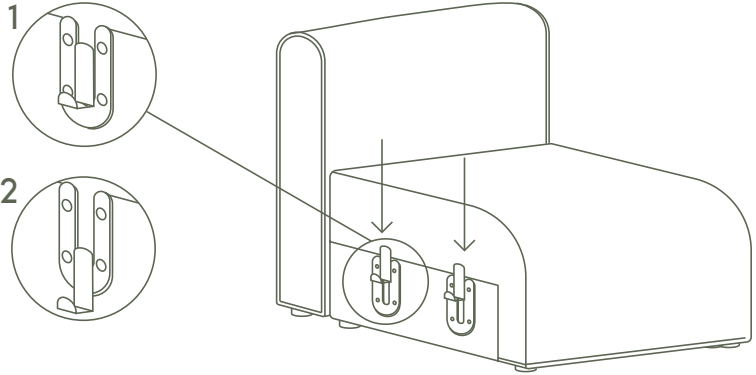


Massage the cushion into shape if required

- 8.** Align the wedge brackets to connect the armrest/backrest module to the seat module and slide all the way down.



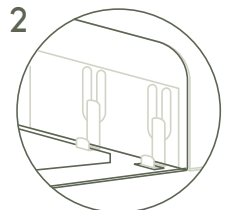
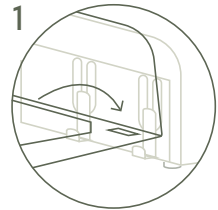
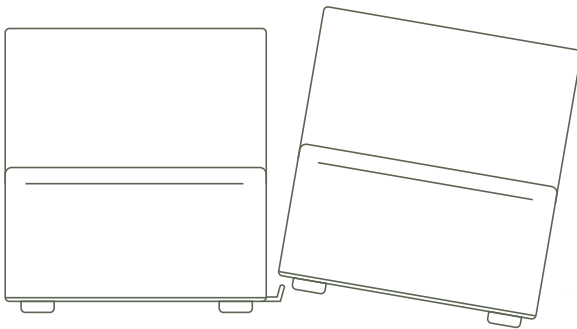
**9.** To build out your Bangalow Sofa, install the hooks on the module and push all the way down.



Start with the corner or chaise module if it is included your sofa

**10.** Align the front and back of the seats then lift the next module onto the hooks to connect them together.

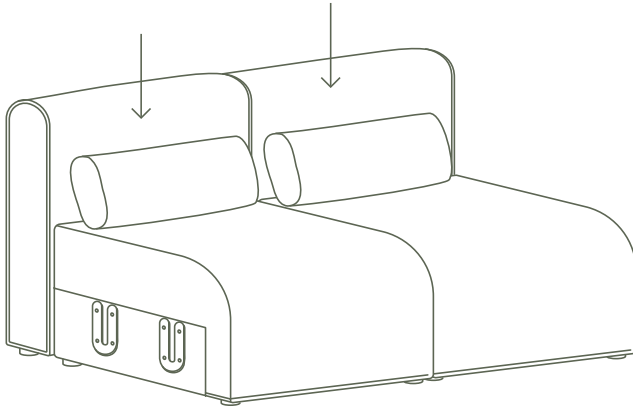
Repeat until all modules are connected.



You will have 2-4 left over hooks upon completion of assembly

11.

Place your backrest cushions onto the modules.



...use the "Armrest/Backrest Module" assembly instructions to complete your Bangalow Modular Sofa.



## Product Information and Care

### LINING FABRIC

#### Regular Care (Weekly)

- Vacuum regularly using low suction.
- Protect from direct sunlight.

#### Spot Cleaning

- Remove any spills immediately by gently blotting any liquid with a clean cloth.
- Scoop up any solids before blotting the remaining liquid.
- Use a mild detergent to gently remove any loose soilage.
- Do not scrub with a sti brush.
- Use a clean cloth to blot out any excess liquid.
- Avoid over wetting as this may result in a water mark.
- Allow the fabric to air dry in a well ventilated area away from direct sunlight.

**NOTE:** PRETEST THE CLEANING METHOD ON A HIDDEN AREA OF THE SOFA. IF CHANGE IN COLOUR, OR TRANSFER DO NOT CONTINUE.

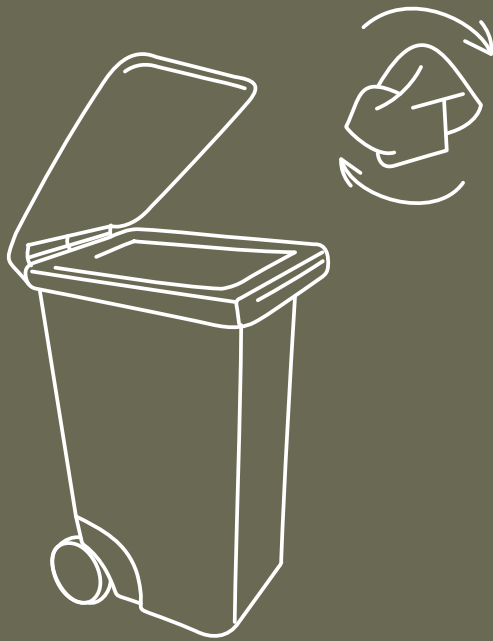
### PILLING

Pilling can occur occasionally as a result of normal daily wear and should not be considered a fault. Fibre pills can be removed with a battery operated pilling tool, available from most haberdashery stores.

### REMOVABLE COVERS

For correct care of the removable covers refer to the care label inside covers for additional cleaning instructions.

**WARNING:** CARELESS USE OF CIGARETTES AND MATCHES COULD SET FIRE TO THIS PRODUCT.



Don't forget to recycle.

**kóala**