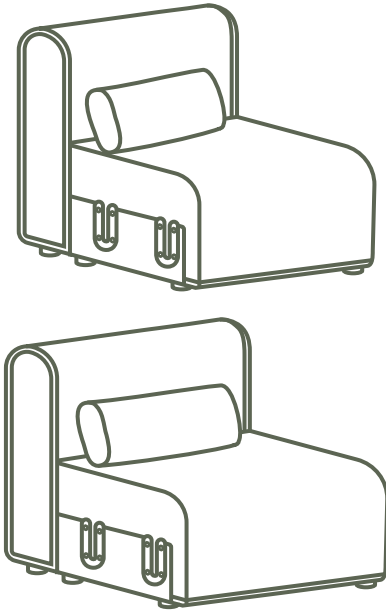


Jan 2024

Click the button
to watch the
assembly video



Small and Large Seat Module

BANGALOW MODULAR SOFA

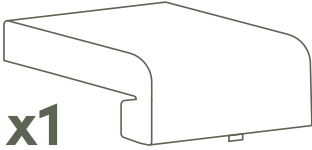
Ko'do

What's in the box*:

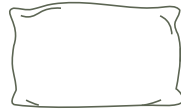
Click the button
to watch the
assembly video



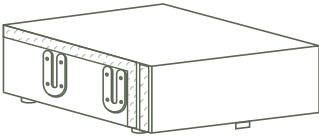
BOX 1



x1
Small/Large
Seat Module Cushion



x1
Small/Large
Backrest Cushion
Insert



x1
Small/Large
Seat Module Frame

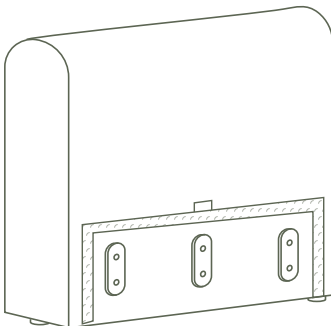


x2
Hook



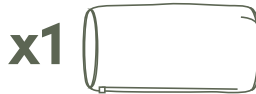
x4
Leg

BOX 2



x1
Small/Large
Armrest/Backrest
Module Frame

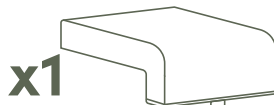
BOX 3



x1
Small/Large
Backrest
Cushion
Cover



x1
Small/Large
Armrest/Backrest
Module
Cover

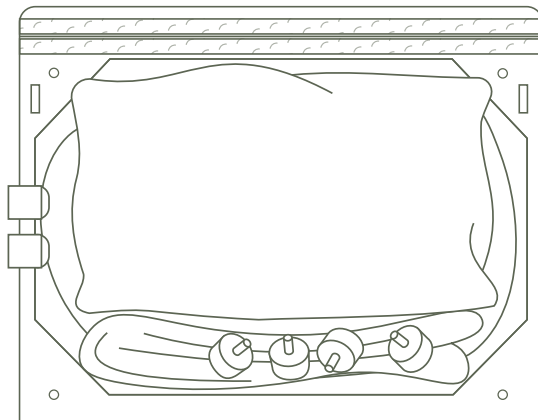


x1
Small/Large
Seat Module
Cover

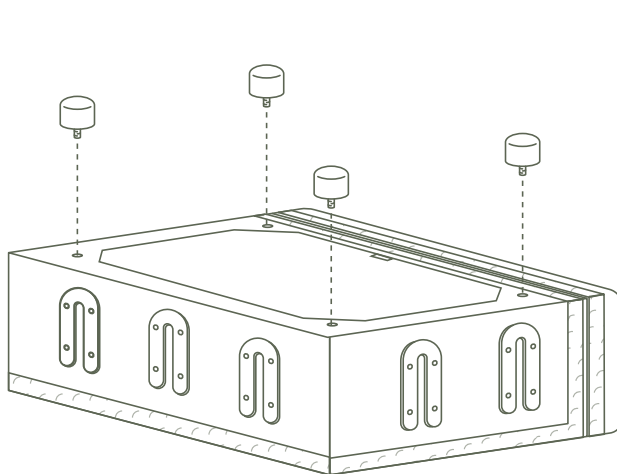
*Not to scale

1. Remove the seat module cushion, backrest cushion insert, legs and hooks from the seat module frame.

Click the button
to watch the
assembly video



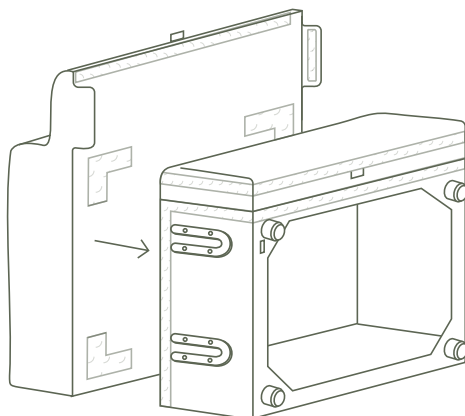
2. Screw the legs into the seat module frame.



x4

3. Place the seat module frame on its side with the label facing up then align the labels and place the cushion on the frame.

Click the button to watch the assembly video

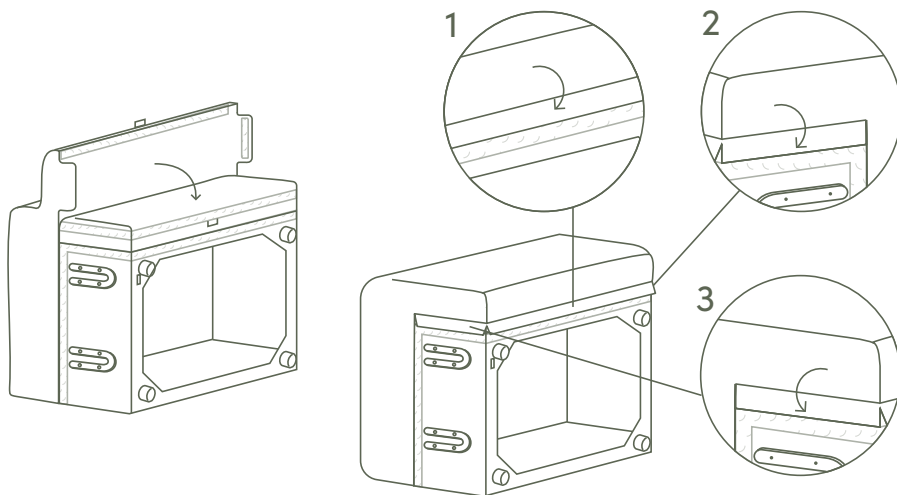


The velcro is colour coordinated



Ensure all yellow tags align

4. Secure the front base velcro then the front side velcro in place.



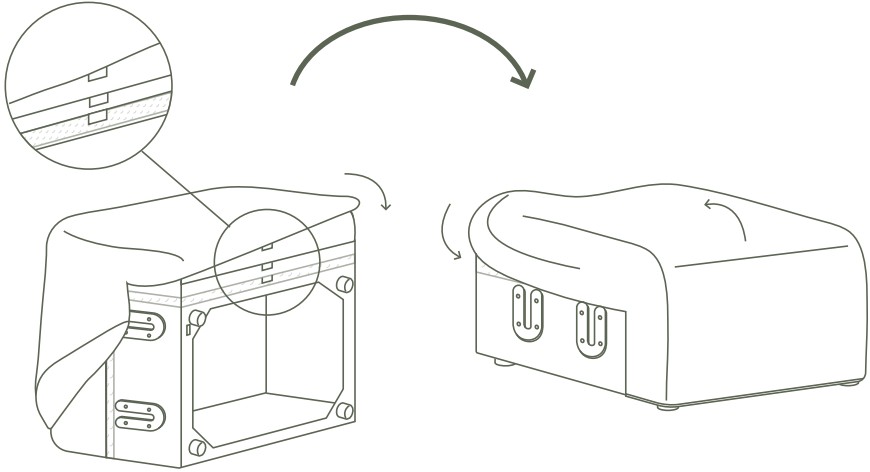
The velcro is colour coordinated



Ensure all yellow tags align

5. Grab the seat module cover, align the seat module labels and secure the cover velcro in place.

Click the button to watch the assembly video

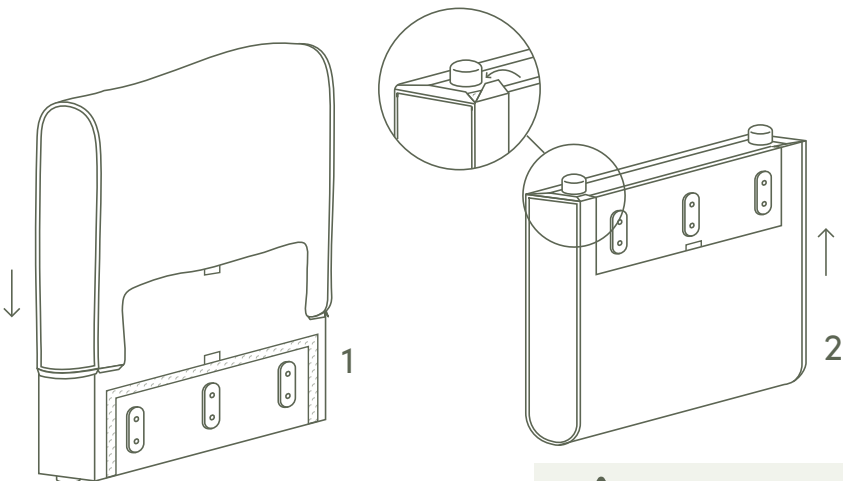


Ensure all yellow tags align



The velcro is colour coordinated

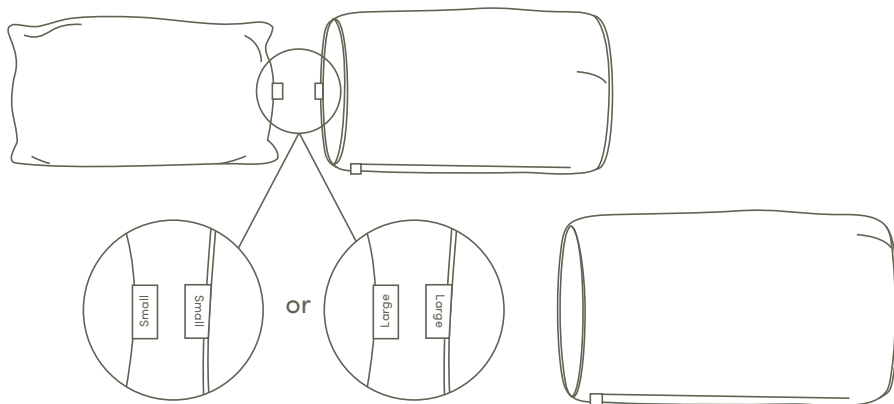
6. Grab the armrest/backrest module cover, align the frame label with the cover label then tug the cover onto the frame and secure the velcro in place.



Ensure all yellow tags align

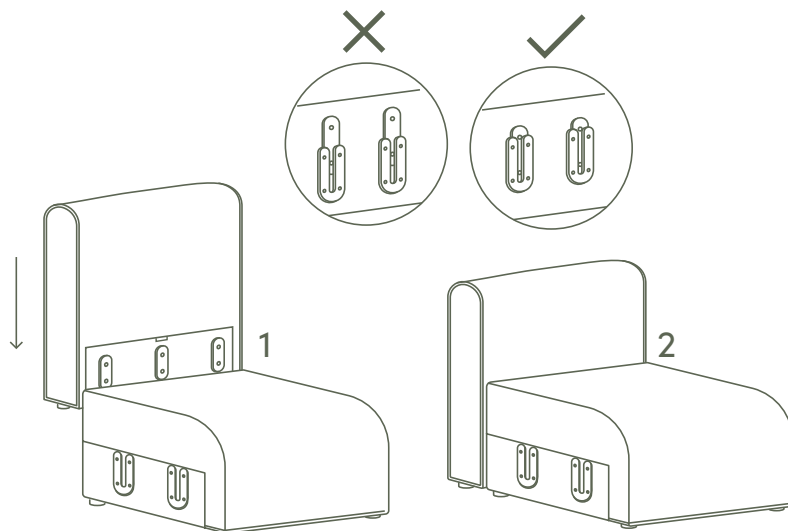
7. Place the backrest cushion insert into the backrest cushion cover and close the zip.

Click the button to watch the assembly video



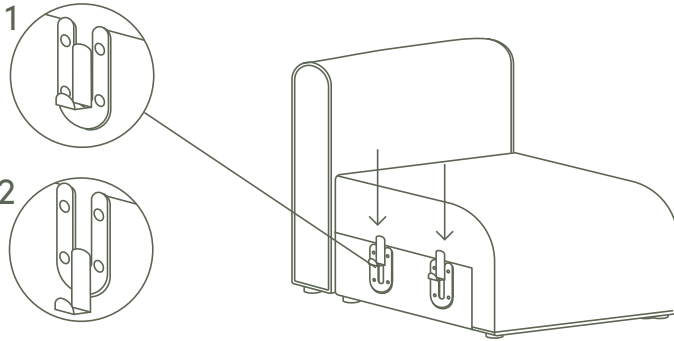
Massage the cushion into shape if required

8. Align the wedge brackets to connect the armrest/backrest module to the seat module and slide all the way down.



- 9.** To build out your Bangalow Sofa, install the hooks on the module and push all the way down.

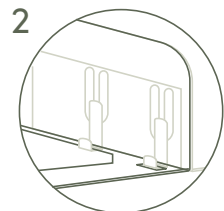
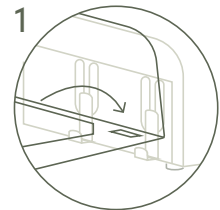
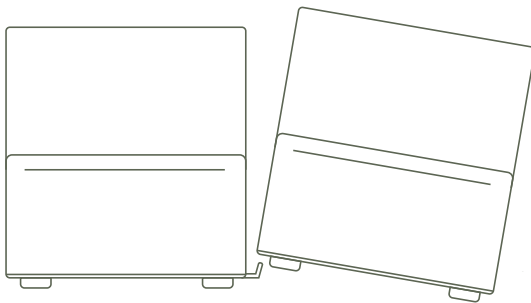
Click the button
to watch the
assembly video



Start with the corner or chaise module if it is included in your sofa

- 10.** Align the front and back of the seats then lift the next module onto the hooks to connect them together.

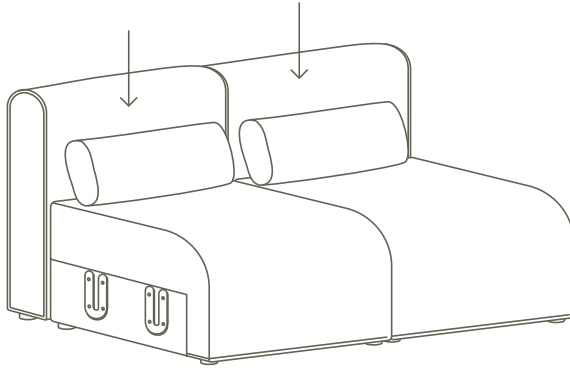
Repeat until all modules are connected.



You will have 2-4 left over hooks upon completion of assembly

11. Place your backrest cushions onto the modules.

Click the button
to watch the
assembly video



...use the "Armrest/Backrest Module" assembly instructions to complete your Bangalow Modular Sofa.

Product Information and Care

LINING FABRIC

Regular Care (Weekly)

- Vacuum regularly using low suction.
- Protect from direct sunlight.

Spot Cleaning

- Remove any spills immediately by gently blotting any liquid with a clean cloth.
- Scoop up any solids before blotting the remaining liquid.
- Use a mild detergent to gently remove any loose soilage.
- Do not scrub with a sti brush.
- Use a clean cloth to blot out any excess liquid.
- Avoid over wetting as this may result in a water mark.
- Allow the fabric to air dry in a well ventilated area away from direct sunlight.

NOTE: PRETEST THE CLEANING METHOD ON A HIDDEN AREA OF THE SOFA. IF CHANGE IN COLOUR, OR TRANSFER DO NOT CONTINUE.

PILLING

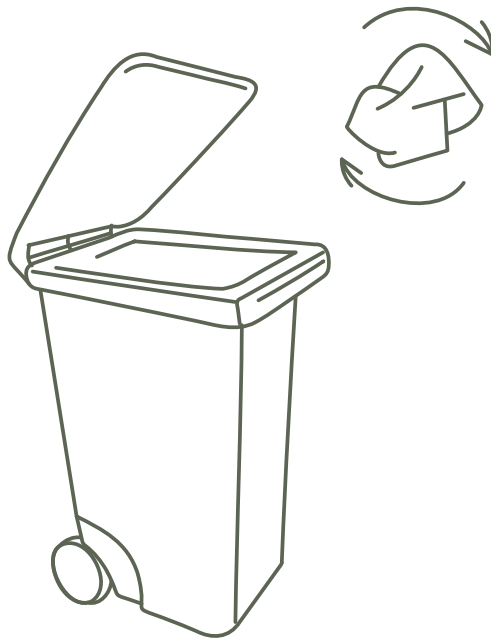
Pilling can occur occasionally as a result of normal daily wear and should not be considered a fault. Fibre pills can be removed with a battery operated pilling tool, available from most haberdashery stores.

REMOVABLE COVERS

For correct care of the removable covers refer to the care label inside covers for additional cleaning instructions.

WARNING: CARELESS USE OF CIGARETTES AND MATCHES COULD SET FIRE TO THIS PRODUCT.

Click the button
to watch the
assembly video



don't forget to recycle.

koala