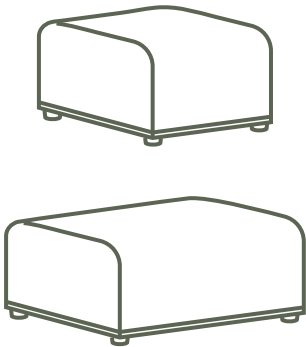


Jan 2024

Click the button  
to watch the  
assembly video



Small and Large Ottoman Module

## BANGALOW MODULAR SOFA



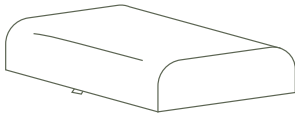
# What's in the box\*:

\*Not to scale

Click the button  
to watch the  
assembly video



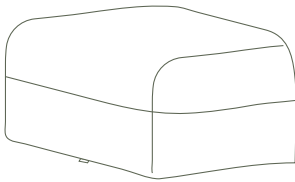
## BOX 1



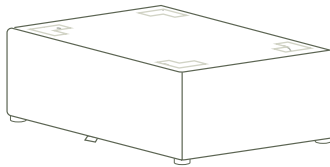
**x1**  
Small/Large  
Ottoman Module  
Cushion



**x4**  
Leg



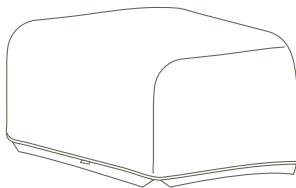
**x1** Small/Large  
Topper



**x1** Small/Large  
Ottoman Module  
Frame

---

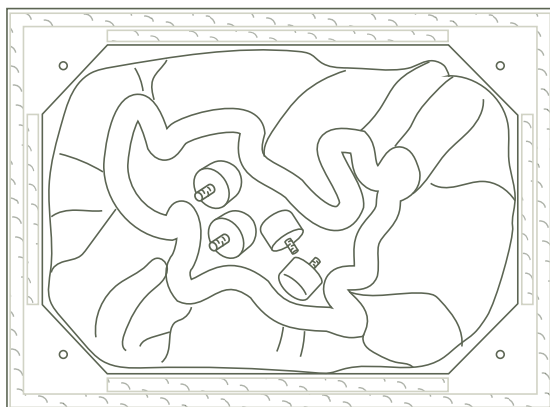
## BOX 2



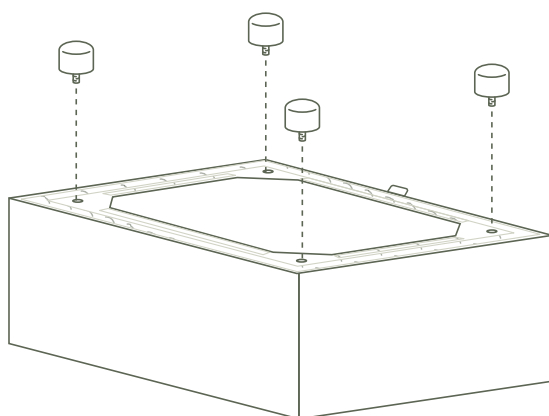
**x1** Small/Large  
Ottoman Module  
Cover

- 1.** Remove the ottoman module cushion, topper and legs from the ottoman module frame.

Click the button to watch the assembly video



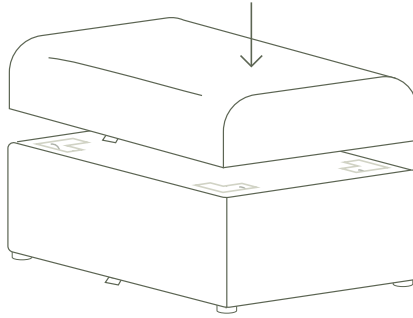
- 
- 2.** Screw the legs into the ottoman module frame.



**x4**

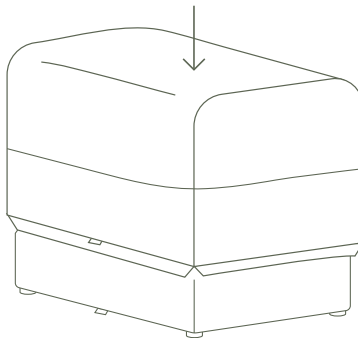
- 3.** Align the ottoman module labels and place the cushion on the frame.

Click the button  
to watch the  
assembly video



Ensure all yellow  
tags align

- 
- 4.** Align the ottoman module labels and place the topper over the cushion and frame, then slide down.



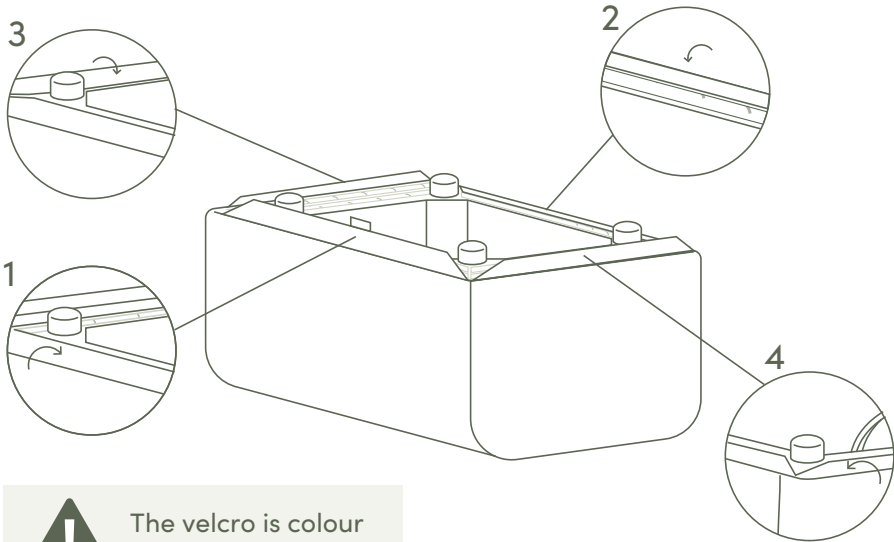
Ensure all yellow  
tags align

## 5. Flip the module and secure the velcro in place.

Click the button to watch the assembly video

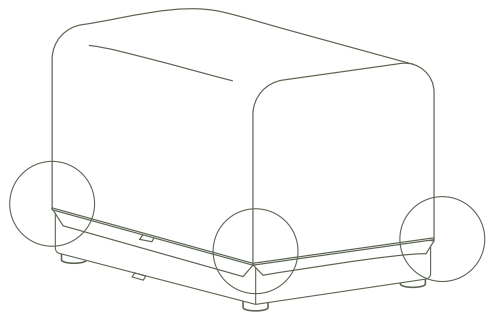
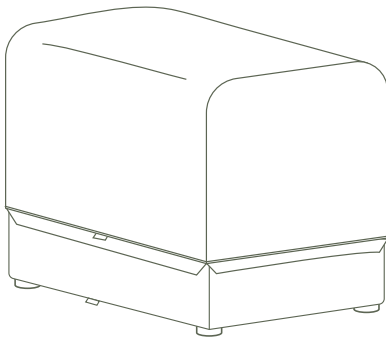


Flip the module back over.



The velcro is colour coordinated

## 6. Grab the ottoman module cover, align the ottoman module labels and place the cover over the topper, then slide down.



Tug the cover down the sides of the ottoman evenly



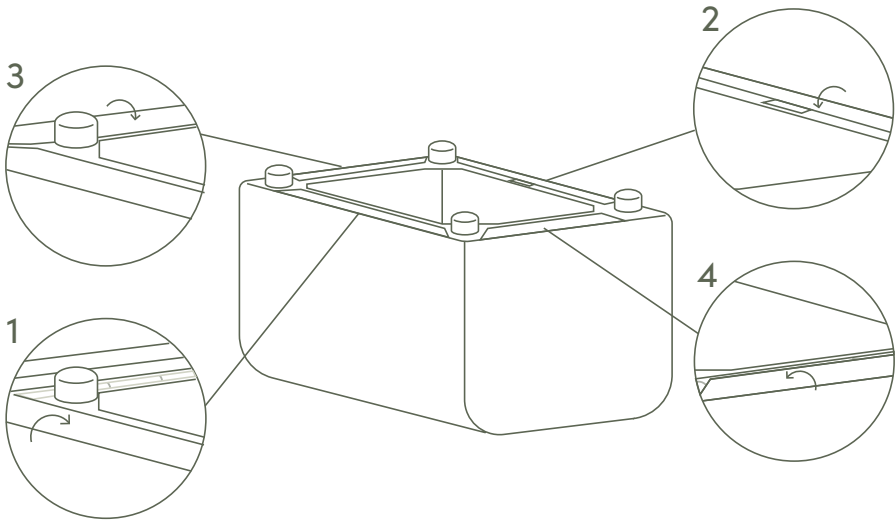
Ensure all yellow tags align

**7.** Flip the module and secure the velcro in place.

Click the button to watch the assembly video

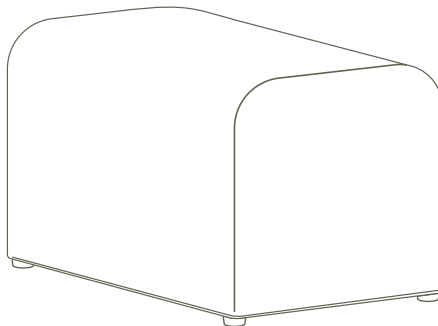


Flip the module back over.



The velcro is colour coordinated

**8.** Flip the module back over.



## Product Information and Care

### **LINING FABRIC**

#### Regular Care (Weekly)

- Vacuum regularly using low suction.
- Protect from direct sunlight.

#### Spot Cleaning

- Remove any spills immediately by gently blotting any liquid with a clean cloth.
- Scoop up any solids before blotting the remaining liquid.
- Use a mild detergent to gently remove any loose soilage.
- Do not scrub with a sti brush.
- Use a clean cloth to blot out any excess liquid.
- Avoid over wetting as this may result in a water mark.
- Allow the fabric to air dry in a well ventilated area away from direct sunlight.

**NOTE:** PRETEST THE CLEANING METHOD ON A HIDDEN AREA OF THE SOFA. IF CHANGE IN COLOUR, OR TRANSFER DO NOT CONTINUE.

### **PILLING**

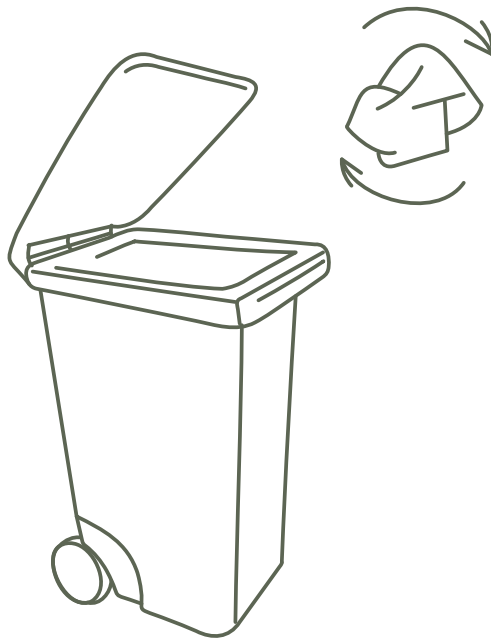
Pilling can occur occasionally as a result of normal daily wear and should not be considered a fault. Fibre pills can be removed with a battery operated pilling tool, available from most haberdashery stores.

### **REMOVABLE COVERS**

For correct care of the removable covers refer to the care label inside covers for additional cleaning instructions.

**WARNING:** CARELESS USE OF CIGARETTES AND MATCHES COULD SET FIRE TO THIS PRODUCT.

Click the button  
to watch the  
assembly video



don't forget to recycle.

**koala**