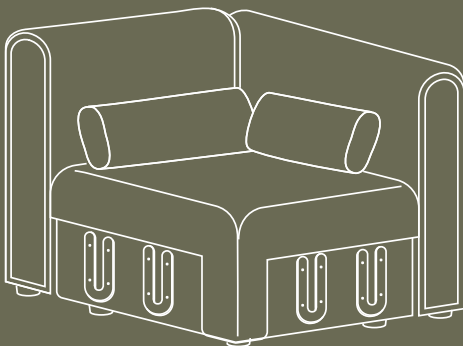


Bangalow Modular Sofa Corner Module

Click the button
to watch the
assembly video



Kood

What's in the box*

*Not to scale

BOX 1



x1

Corner Module Cushion



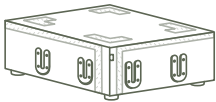
x4

hook



x4

Leg



x1

Corner Module Frame

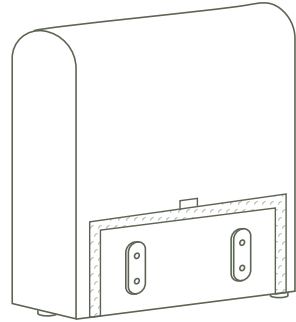


x2

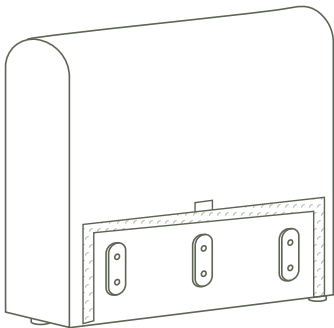
Small Backrest Cushion Insert

BOX 2

x1 Small Backrest Module Frame



BOX 3



x1

Large Armrest/Backrest Module Frame

BOX 4

x2



Small Backrest Cushion Cover

x1



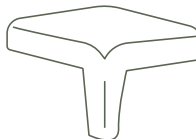
Small Backrest Module Cover

x1



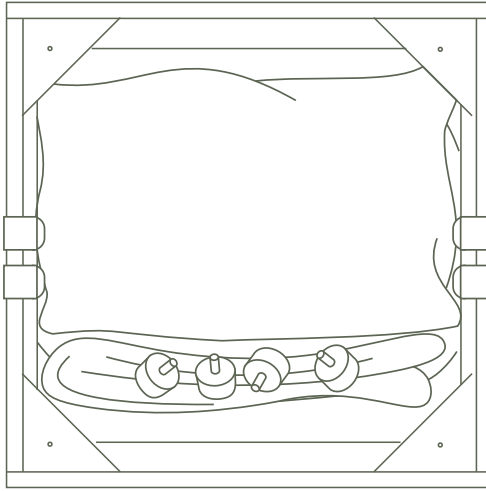
Large Armrest/Backrest Module Cover

x1



Corner Module Cover

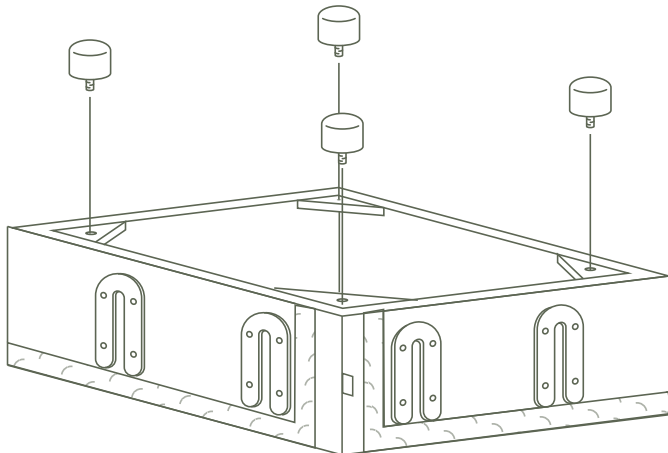
- 1.** Remove the corner module cushion, backrest cushion inserts, legs and hooks from the corner module frame.



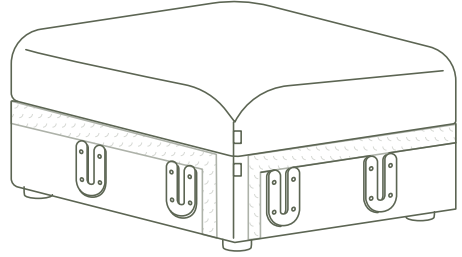
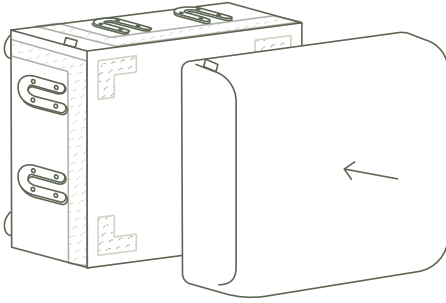
- 2.** Screw the legs into the corner module frame.



x4



- 3.** Place the corner module frame on its side then align the labels and place the cushion on the frame.

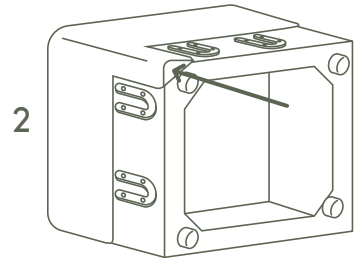
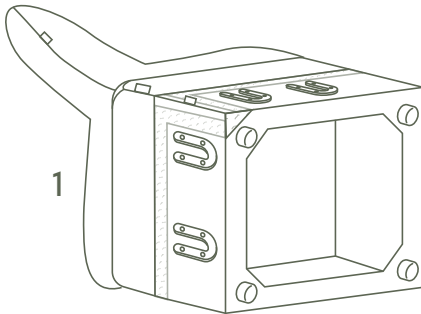


Ensure all yellow tags align



The velcro is colour coordinated

- 4.** Grab the corner module cover, align the module labels and secure the cover velcro in place.

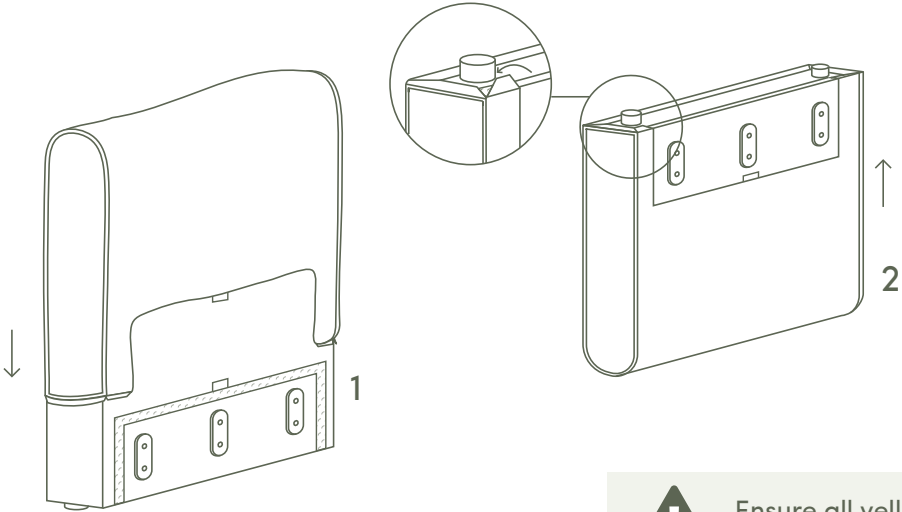


Ensure all yellow tags align



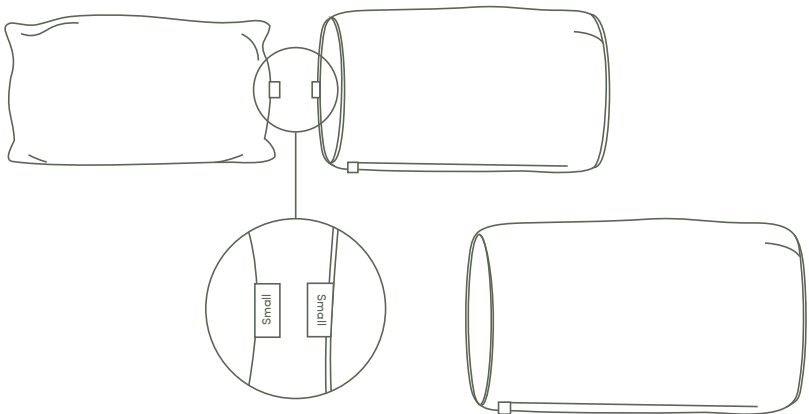
The velcro is colour coordinated

- 5.** Grab the armrest/backrest module cover, align the frame label with the cover label then tug the cover onto the frame and secure the velcro in place. Repeat.



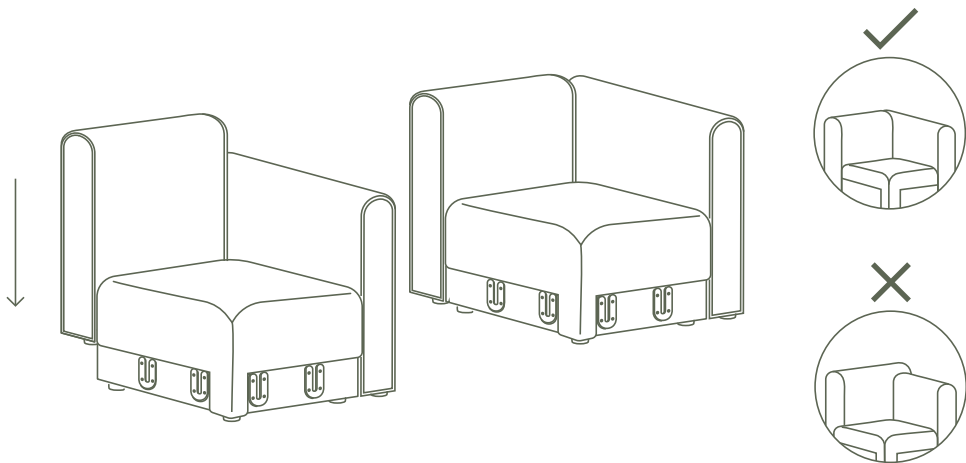
Ensure all yellow tags align

- 6.** Place the backrest cushion insert into the backrest cushion cover and close the zip. Repeat.



Massage the cushion into shape if required

- 7.** Align the wedge brackets to connect the armrest/backrest modules to the corner module and slide all the way down.

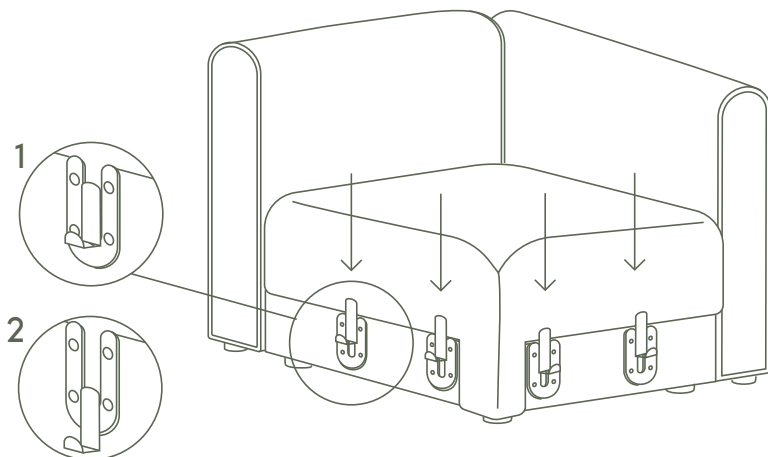


The armrest/backrest modules should line up with the corner module on each side if assembled correctly

- 8.** To build out your Bangalow Sofa, install the hooks on the module and push all the way down.

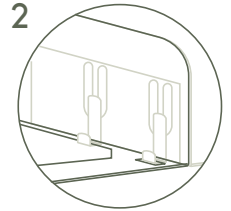
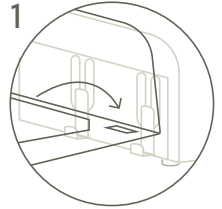
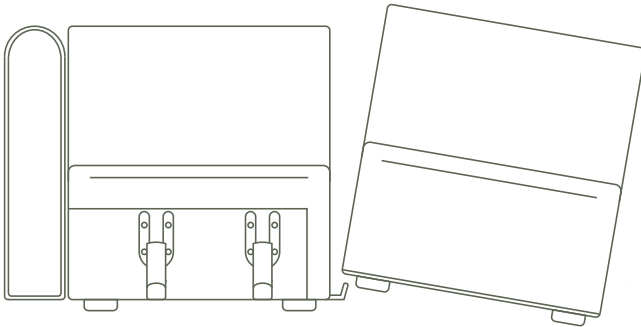


x4



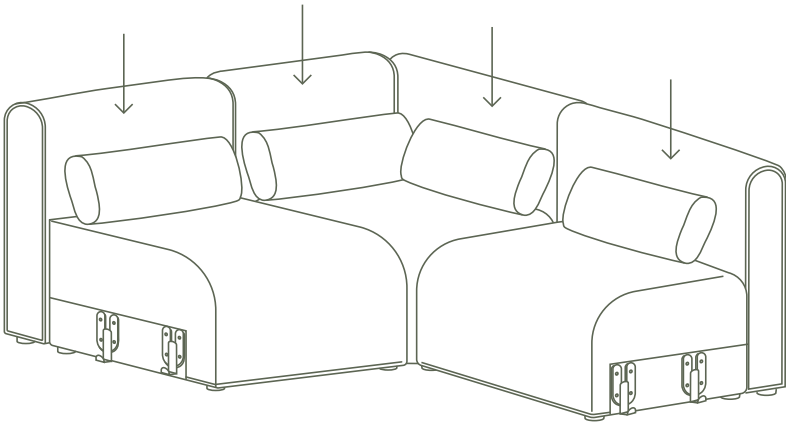
9. Align the front and back of the seats then lift the next module onto the hooks to connect them together.

Repeat until all modules are connected.



You will have 2-4 left over hooks upon completion of assembly

10. Place your backrest cushions onto the modules.



...use the "Armrest/Backrest Module" assembly instructions to complete your Bangalow Modular Sofa.

Product Information and Care

LINING FABRIC

Regular Care (Weekly)

- Vacuum regularly using low suction.
- Protect from direct sunlight.

Spot Cleaning

- Remove any spills immediately by gently blotting any liquid with a clean cloth.
- Scoop up any solids before blotting the remaining liquid.
- Use a mild detergent to gently remove any loose soilage.
- Do not scrub with a sti brush.
- Use a clean cloth to blot out any excess liquid.
- Avoid over wetting as this may result in a water mark.
- Allow the fabric to air dry in a well ventilated area away from direct sunlight.

NOTE: PRETEST THE CLEANING METHOD ON A HIDDEN AREA OF THE SOFA. IF CHANGE IN COLOUR, OR TRANSFER DO NOT CONTINUE.

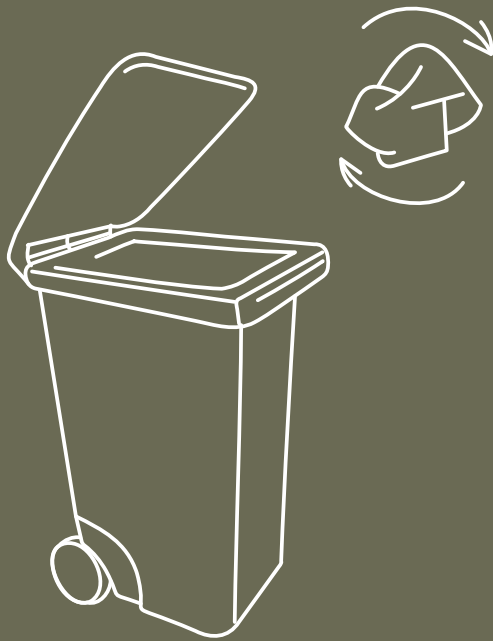
PILLING

Pilling can occur occasionally as a result of normal daily wear and should not be considered a fault. Fibre pills can be removed with a battery operated pilling tool, available from most haberdashery stores.

REMOVABLE COVERS

For correct care of the removable covers refer to the care label inside covers for additional cleaning instructions.

WARNING: CARELESS USE OF CIGARETTES AND MATCHES COULD SET FIRE TO THIS PRODUCT.



Don't forget to recycle.

kóala