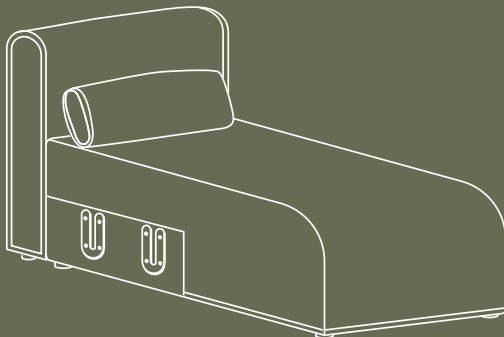


Bangalow Modular Sofa Chaise Module

Click the button
to watch the
assembly video

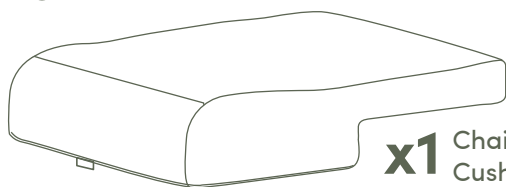


Korona

What's in the box*

*Not to scale

BOX 1



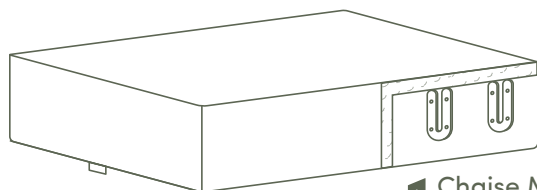
x1 Chaise Module
Cushion



x2
hook



x4
Leg

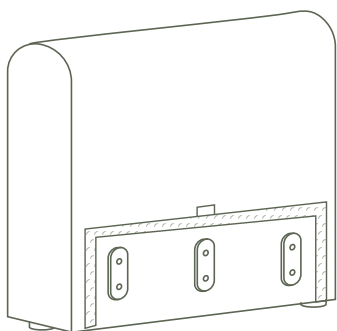


x1 Chaise Module
Frame



x1
Large Backrest
Cushion Insert

BOX 2



x1
Large
Armrest/Backrest
Module Frame

BOX 3

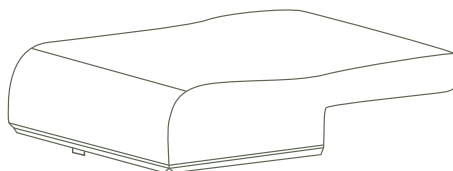
x1
Large Backrest
Cushion Cover



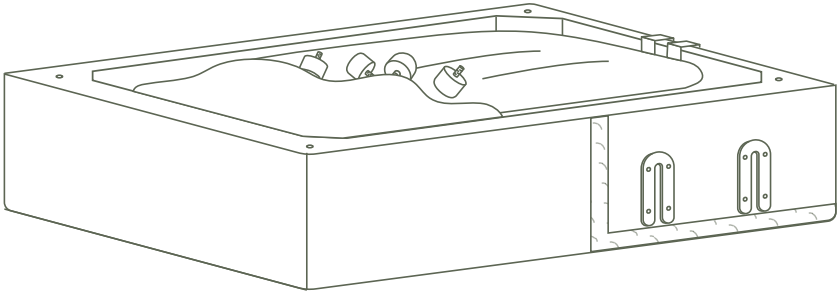
x1
Large Armrest/
Backrest Module
Cover



x1
Chaise Module
Cushion Cover



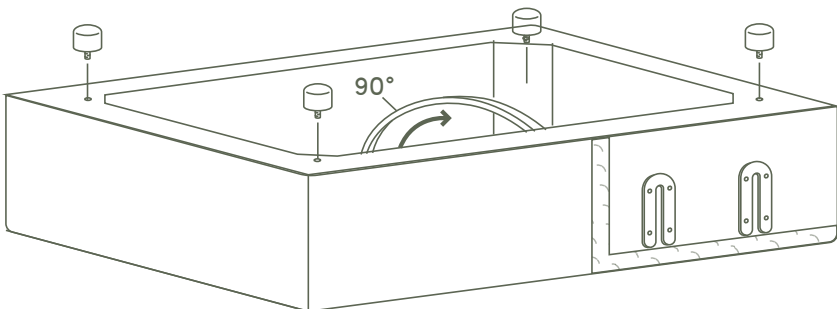
1. Remove the chaise module cushion, backrest cushion insert, legs and hooks from the chaise module frame.



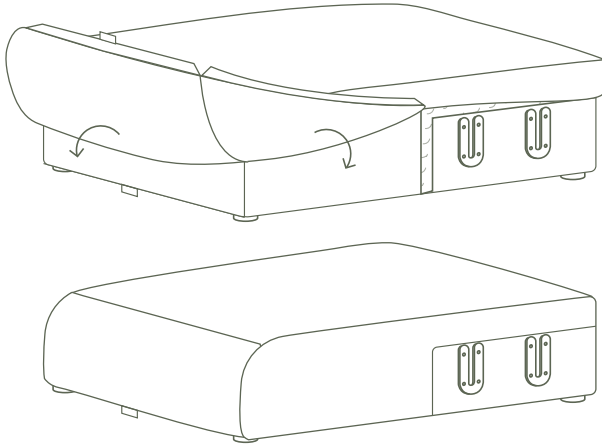
-
2. Screw the legs into the seat module frame and rotate the centre bar by 90 degrees.



x4



3. Align the chaise module labels and place the chaise module cushion on the frame, then pull the 'skirt' down.

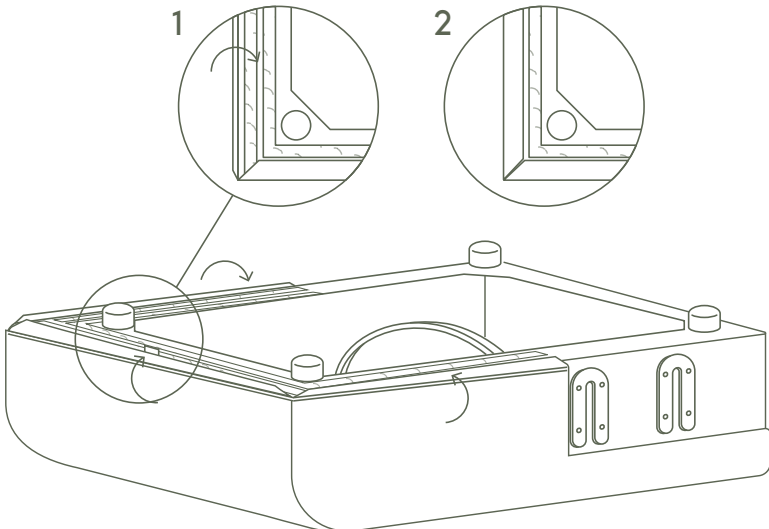


Ensure all yellow tags align

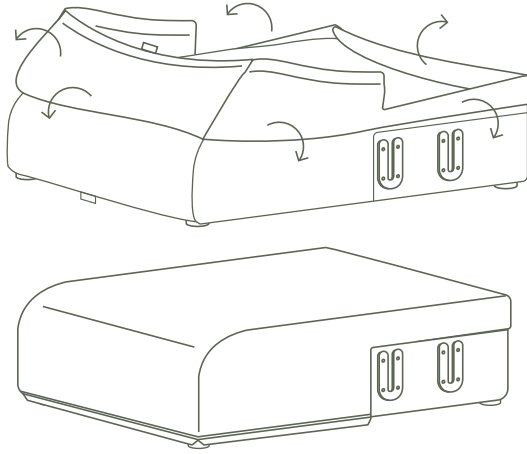


The velcro is colour coordinated

4. Flip the module to secure the 'skirt' velcro in place.
Flip the module back over.



5. Grab the chaise module cover, align the chaise module labels and tug the cover into place.



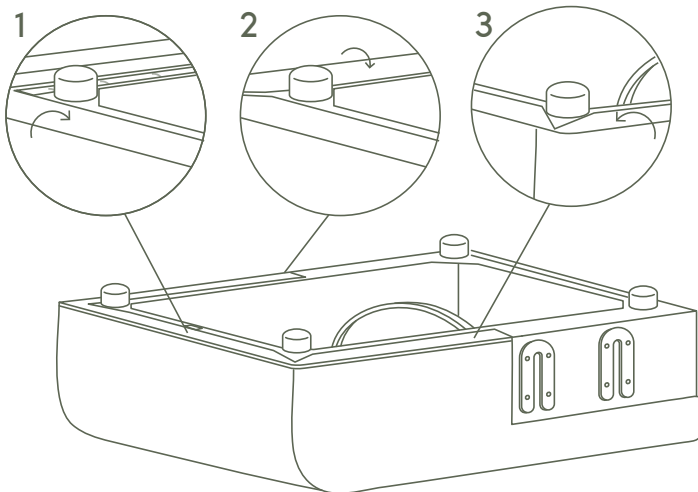
Ensure all yellow tags align



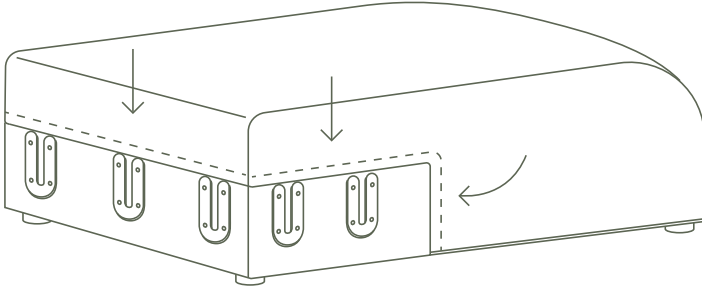
The velcro is colour coordinated

6. Flip the module and secure the front base velcro then the front side velcro in place.

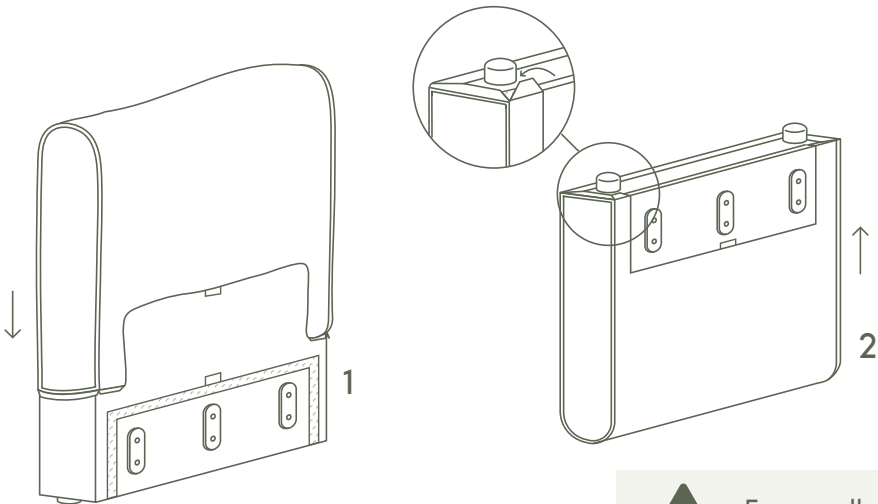
Flip the module back over.



- 7.** Secure the rear velcro then the rear side velcro in place.

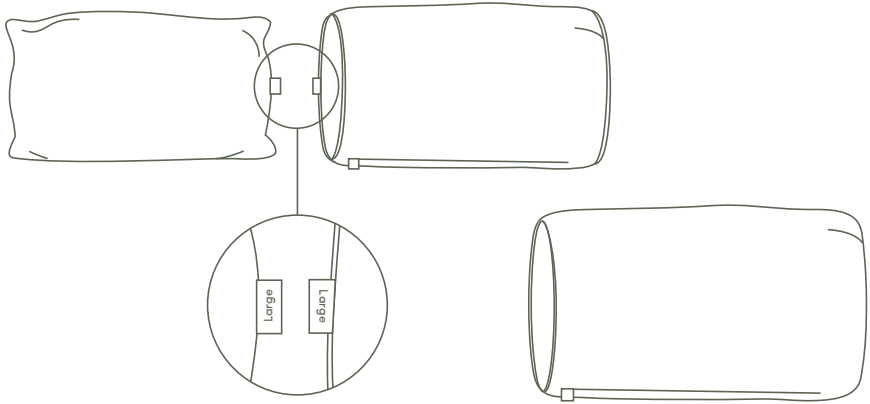


- 8.** Grab the armrest/backrest module cover, align the frame label with the cover label then tug the cover onto the frame and secure the velcro in place.



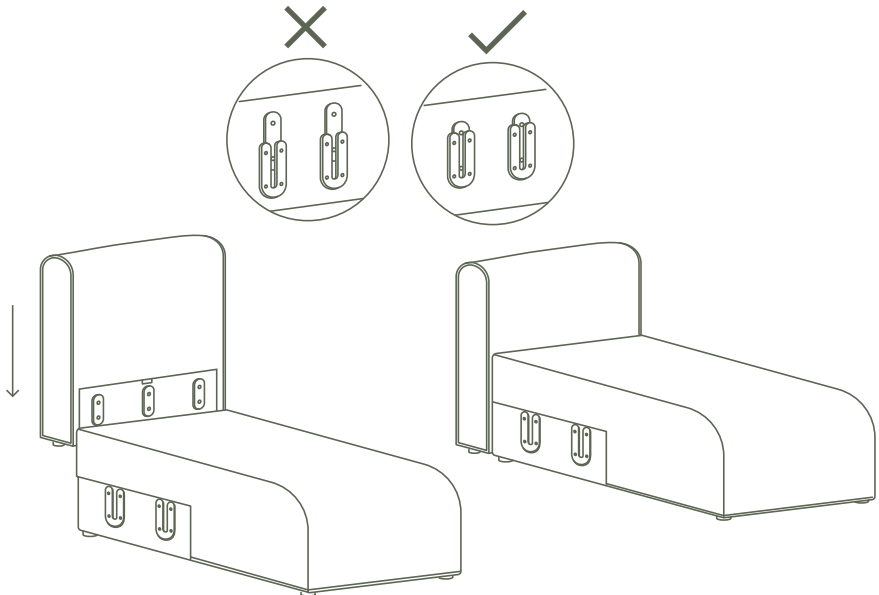
Ensure all yellow tags align

- 9.** Place the backrest cushion insert into the backrest cushion cover and close the zip.



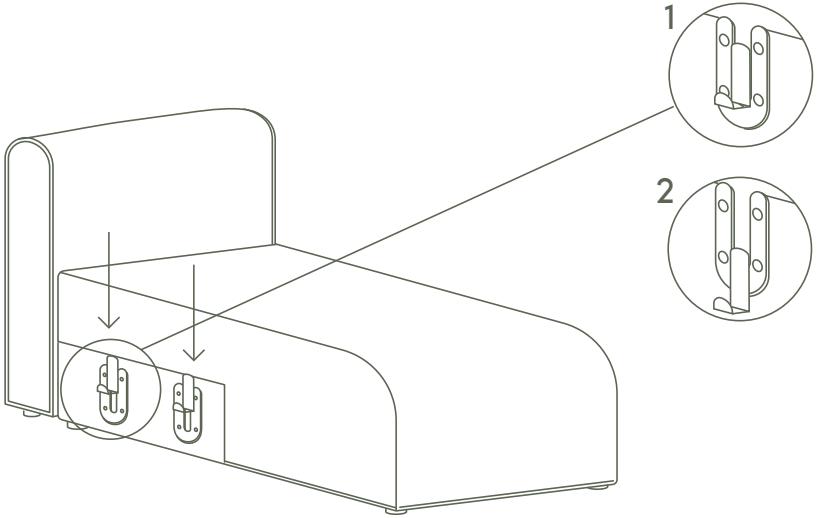
Massage the cushion into shape if required

- 10.** Align the wedge brackets to connect the armrest/backrest module to the chaise module and slide all the way down.



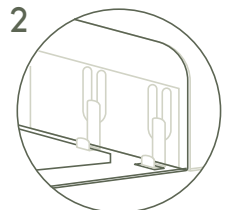
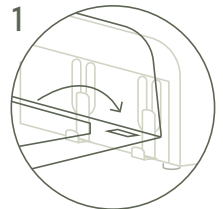
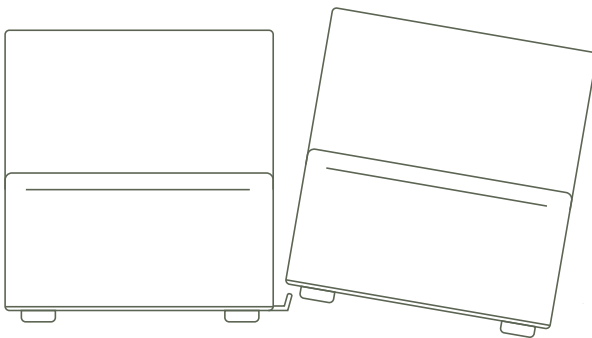
11. To build out your Bangalow Sofa, install the hooks on the module and push all the way down.

x2



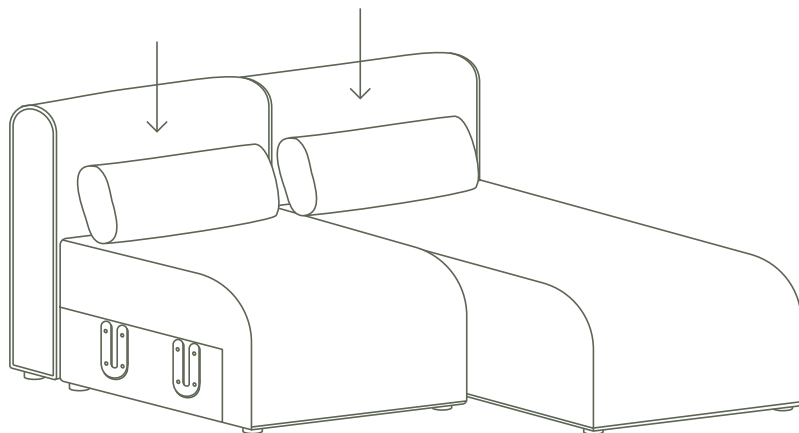
12. Align the front and back of the seats then lift the next module onto the hooks to connect them together.

Repeat until all modules are connected.



You will have 2-4 left over hooks upon completion of assembly

13. Place your backrest cushions onto the modules.



...use the "Armrest/Backrest Module" assembly instructions to complete your Bangalow Modular Sofa.

Product Information and Care

LINING FABRIC

Regular Care (Weekly)

- Vacuum regularly using low suction.
- Protect from direct sunlight.

Spot Cleaning

- Remove any spills immediately by gently blotting any liquid with a clean cloth.
- Scoop up any solids before blotting the remaining liquid.
- Use a mild detergent to gently remove any loose soilage.
- Do not scrub with a sti brush.
- Use a clean cloth to blot out any excess liquid.
- Avoid over wetting as this may result in a water mark.
- Allow the fabric to air dry in a well ventilated area away from direct sunlight.

NOTE: PRETEST THE CLEANING METHOD ON A HIDDEN AREA OF THE SOFA. IF CHANGE IN COLOUR, OR TRANSFER DO NOT CONTINUE.

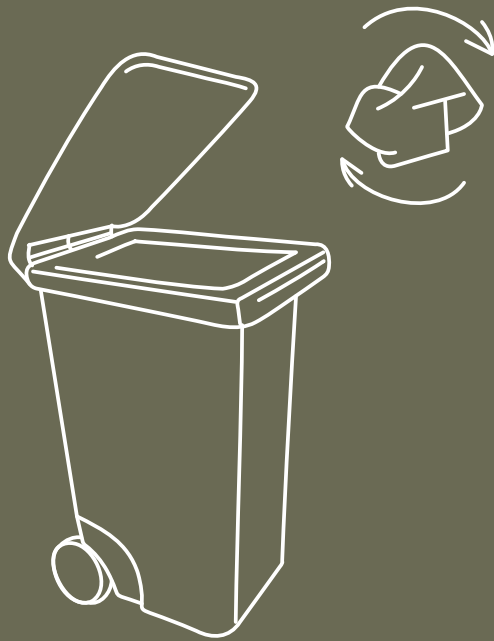
PILLING

Pilling can occur occasionally as a result of normal daily wear and should not be considered a fault. Fibre pills can be removed with a battery operated pilling tool, available from most haberdashery stores.

REMOVABLE COVERS

For correct care of the removable covers refer to the care label inside covers for additional cleaning instructions.

WARNING: CARELESS USE OF CIGARETTES AND MATCHES COULD SET FIRE TO THIS PRODUCT.



Don't forget to recycle.

kóala