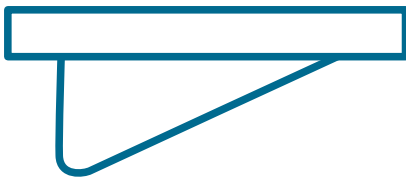


Click the button
to watch the
assembly video



BALMAIN
FLOATING BEDSIDE TABLE

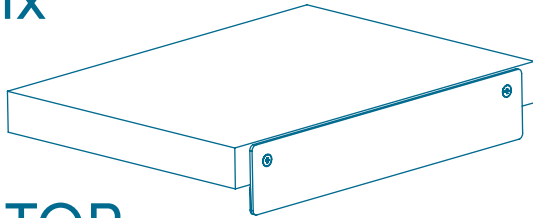
ko'do

1.

Click the button
to watch the
assembly video

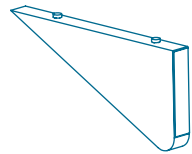


1x



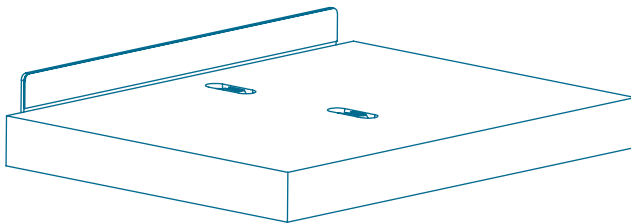
TOP

1x



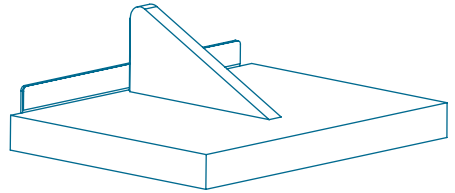
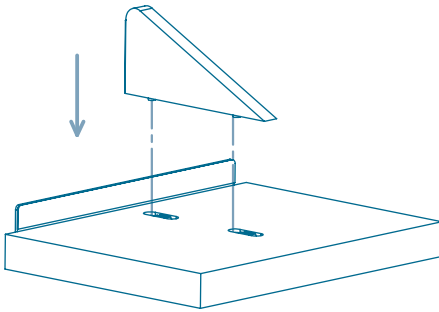
FIN

2. place top upside down on a soft surface

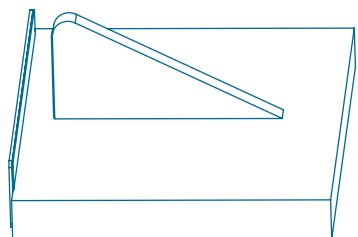
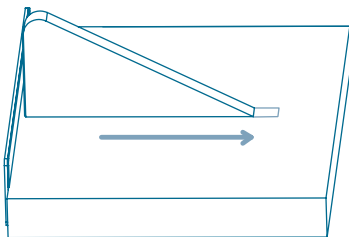


3. attach fin to top

Click the button
to watch the
assembly video

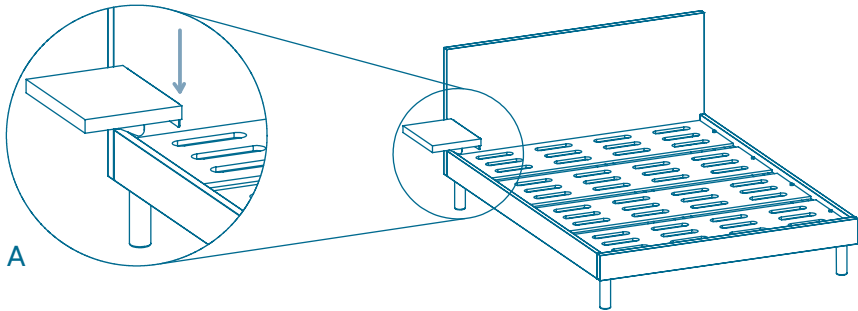


4. slide fin back to lock in place

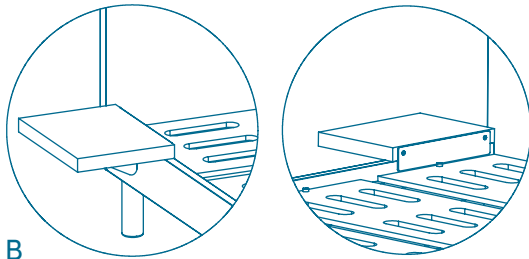


5. assemble bedside table to side rail

Click the button
to watch the
assembly video



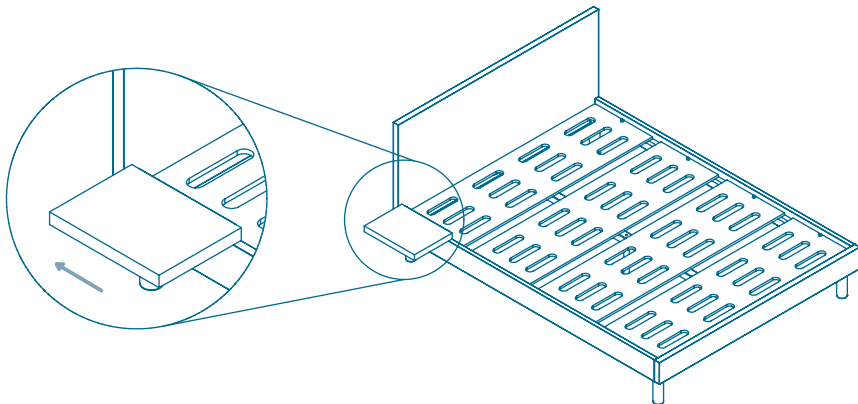
A



B

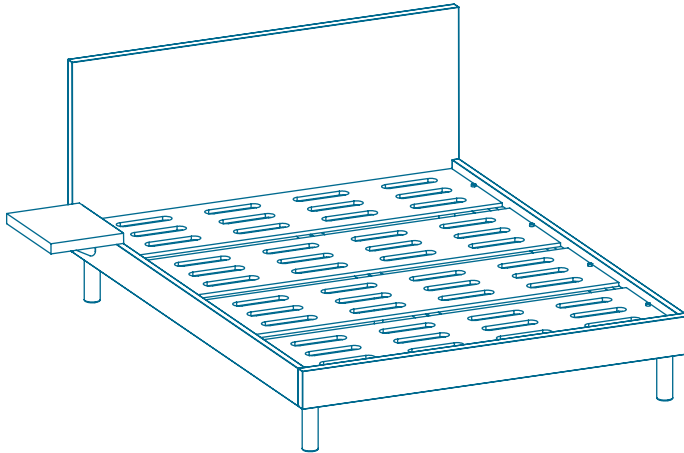
*make sure metal plate is
on the inside of the side rail

6. make sure bedside table is against headboard



7. ta-dah!

Click the button
to watch the
assembly video



For maximum enjoyment:

Always have the table up against the headboard

It's a bedside table (not a seat or a ladder)

We recommend a maximum weight limit of 12kg