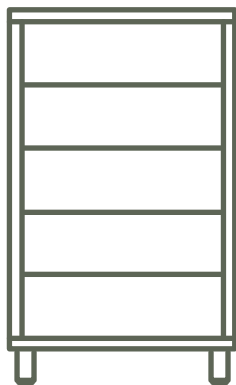


July 2024

Click the button
to watch the
assembly video

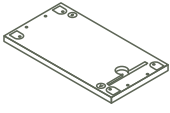


**BALMAIN CHEST OF DRAWERS
5 HIGH**



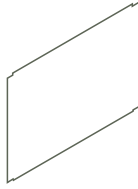
What's in the box*:

*Not to scale



x1

Top Panel



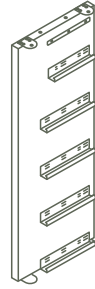
x2

Back Panel



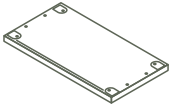
x4

Leg



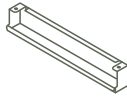
x2

Side Panel



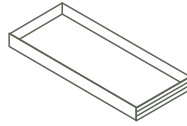
x1

Base Panel



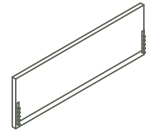
x1

Cable Management
Tray



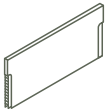
x1

Stash
Drawer



x5

Drawer Front
Panel



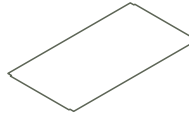
x8

Drawer Side
Panel
(Bottom Drawer)



x4

Drawer Rear
Panel
(Bottom Drawer)



x4

Drawer Base
Panel
(Bottom Drawer)



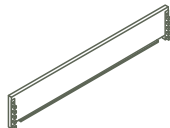
x5

Synchro Rod



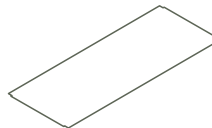
x1

Back Panel
Connector



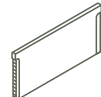
x1

Drawer Rear
Panel
(Top Drawer)



x1

Drawer Base
Panel
(Top Drawer)



x2

Drawer Side
Panel
(Top Drawer)



x20

Drawer Locking Pin



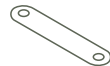
x4

Gumnut



x8

Dowel

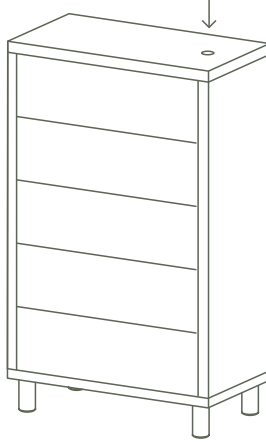


x2

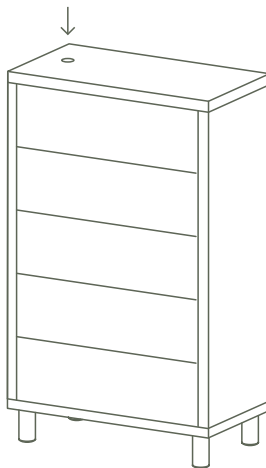
Wall Lanyard

Wireless Charging Position

You can orientate the Top Panel to position the wireless charger to either the left or the right:



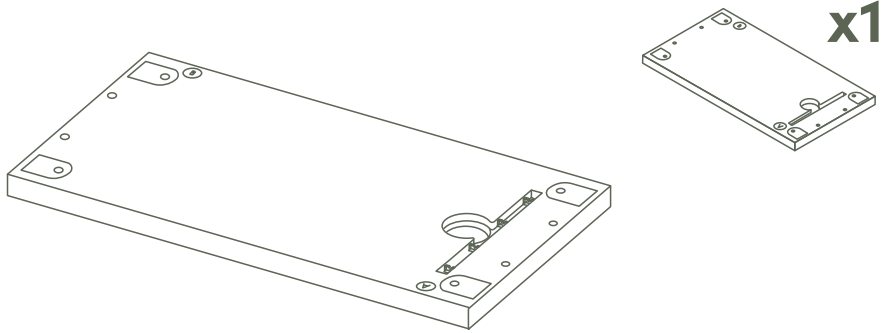
Right Side
See Step 3A



Left Side
See Step 3B

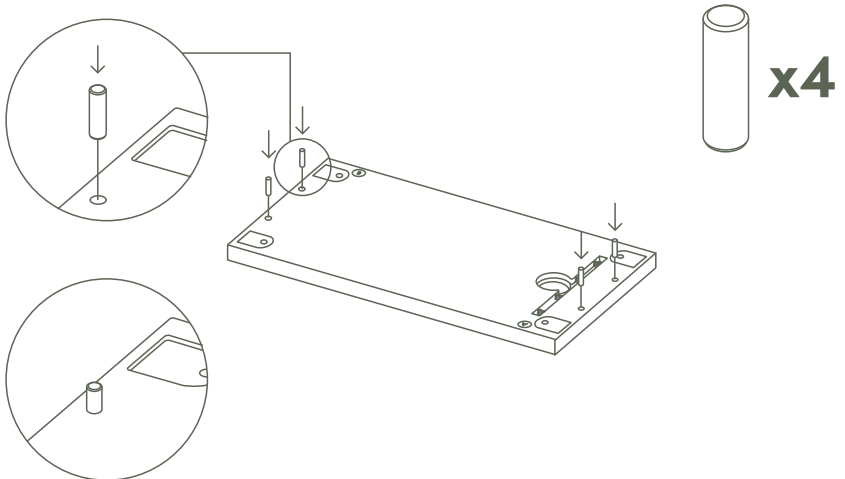
1. Lay the Top Panel on a flat surface.

Click the button
to watch the
assembly video

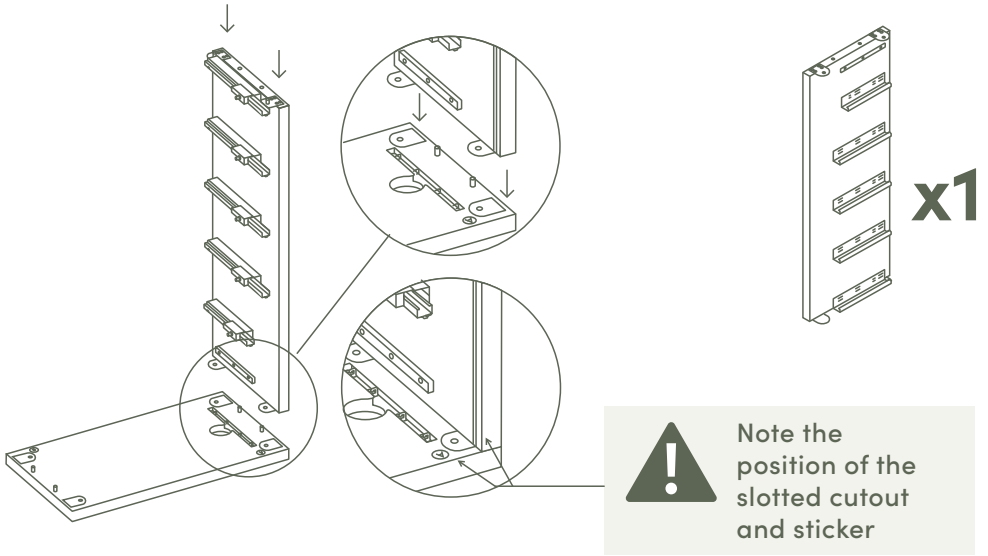


Ensure surface will
not scratch the unit.

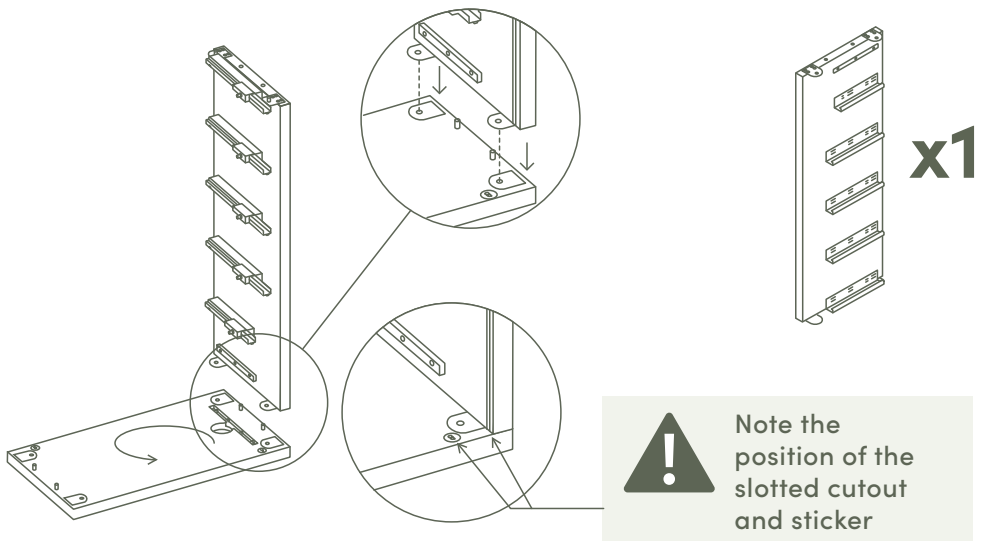
2. Insert dowels into the holes shown.



3a. To have the wireless charger on the right-hand side. Align Sticker "A" with the slotted cutout found on the side panel. Then fit the other side panel.

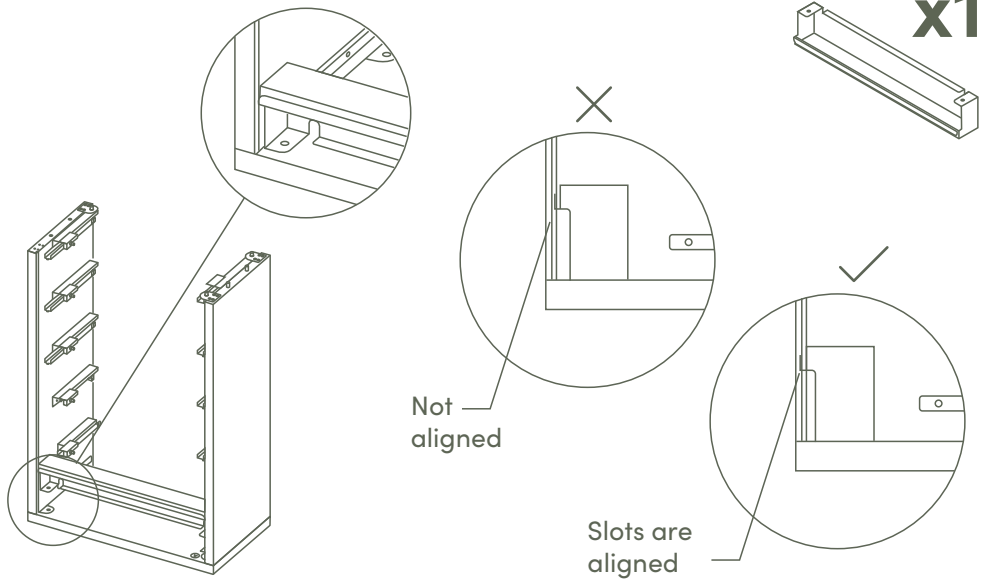


3b. To have the wireless charger on the right-hand side. Align Sticker "B" with the slotted cutout found on the side panel. Then fit the other Side Panel.

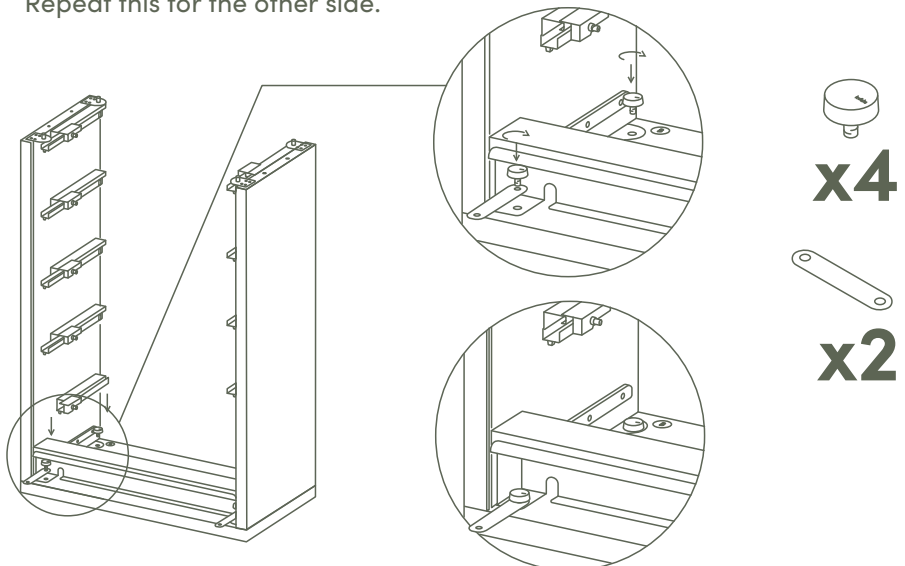


- 4.** Lower the Cable Management Tray into position, ensure the Cable Management Tray grooves are aligned to the side panel slotted cutouts as shown on the images below.

Click the button to watch the assembly video

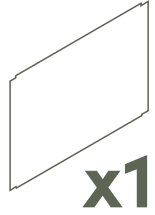
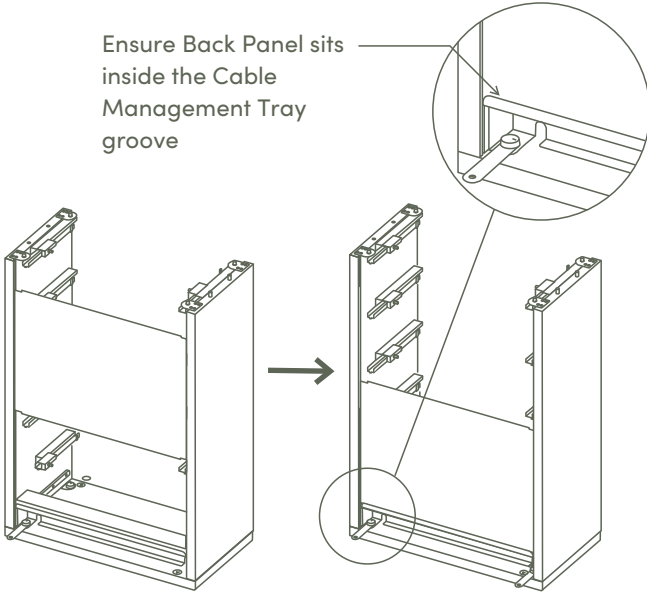


- 5.** Using the Gumnuts provided. Fasten the Side Panel through the Cable Management Tray with the Wall Lanyards as shown in the image. Repeat this for the other side.

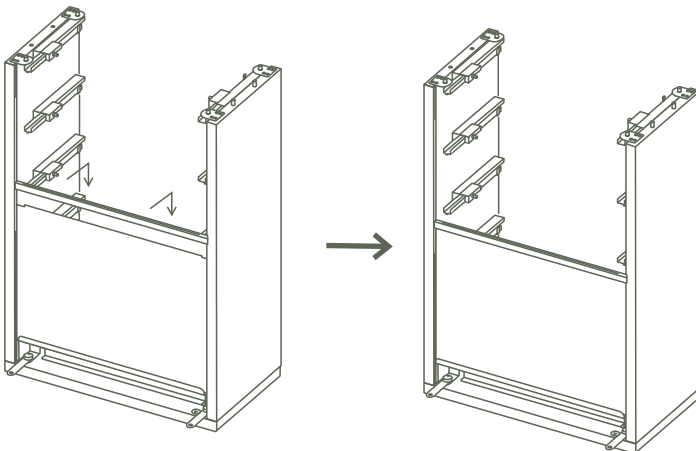


6. Lower the back panel into position using the slotted cutouts.

Click the button to watch the assembly video

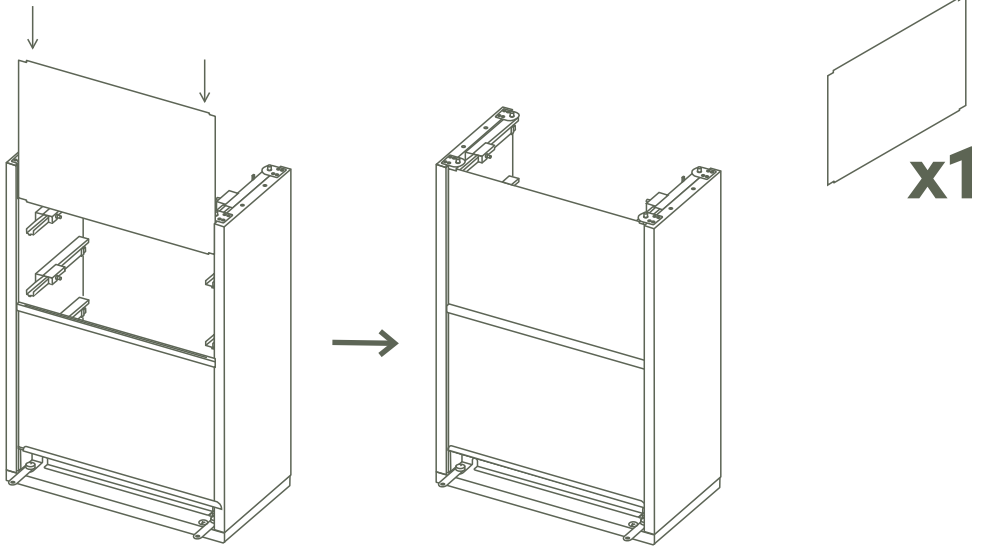


7. Insert the Back Panel Connector. Ensure the part secured onto the notched cuts on the connector.

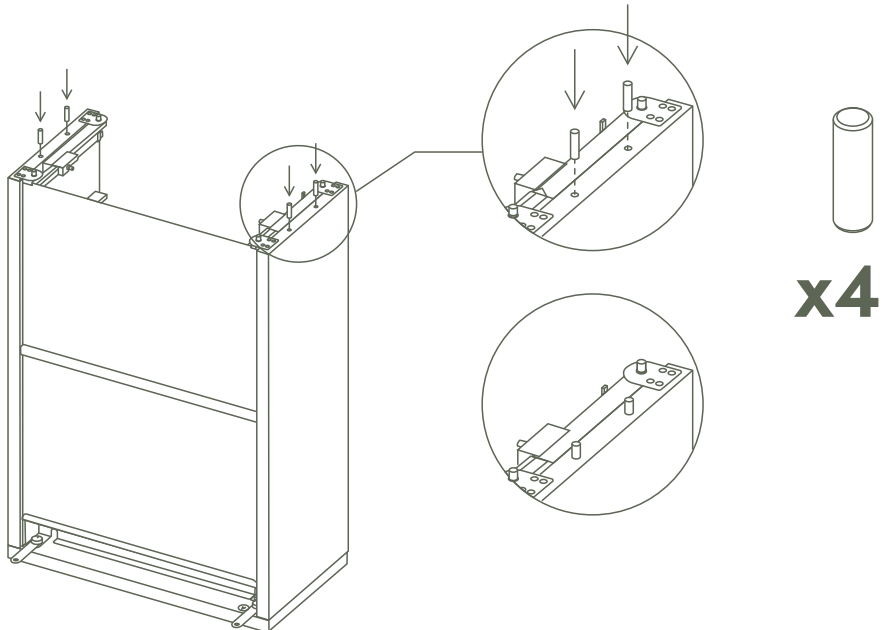


8. Lower the second Back Panel into position using the slotted cuts shown.

Click the button to watch the assembly video

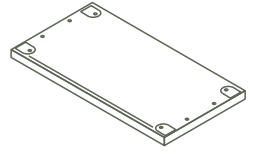
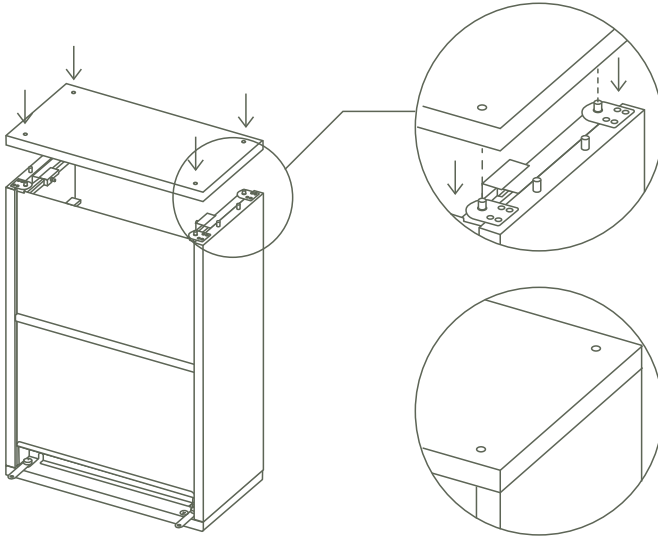


9. Insert Dowels into the positions shown.



10. Carefully lower the Base Panel into position. Use the Dowels to help align the panel.

Click the button to watch the assembly video

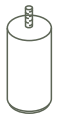
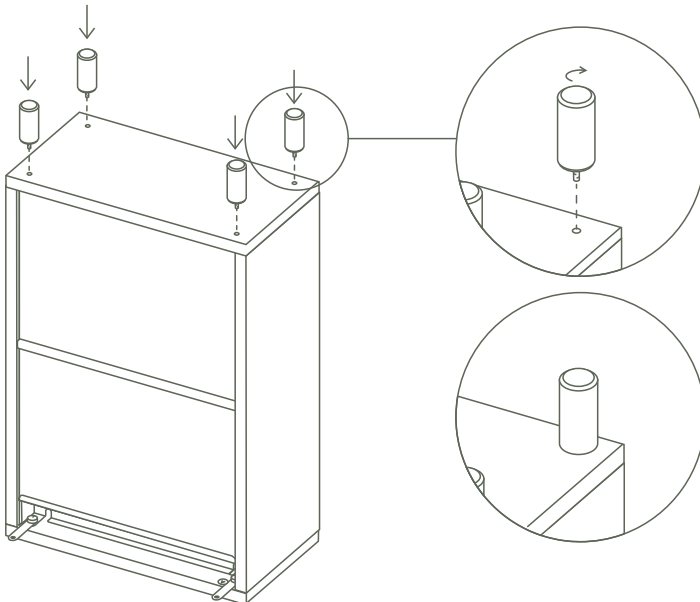


x1



We recommend using two people for this step.

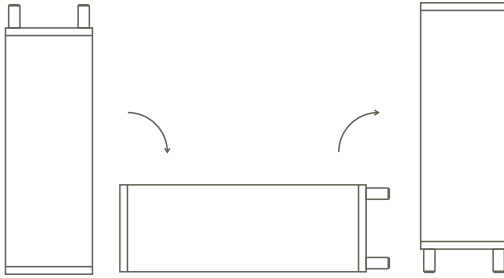
11. Fasten the Legs into position.



x4

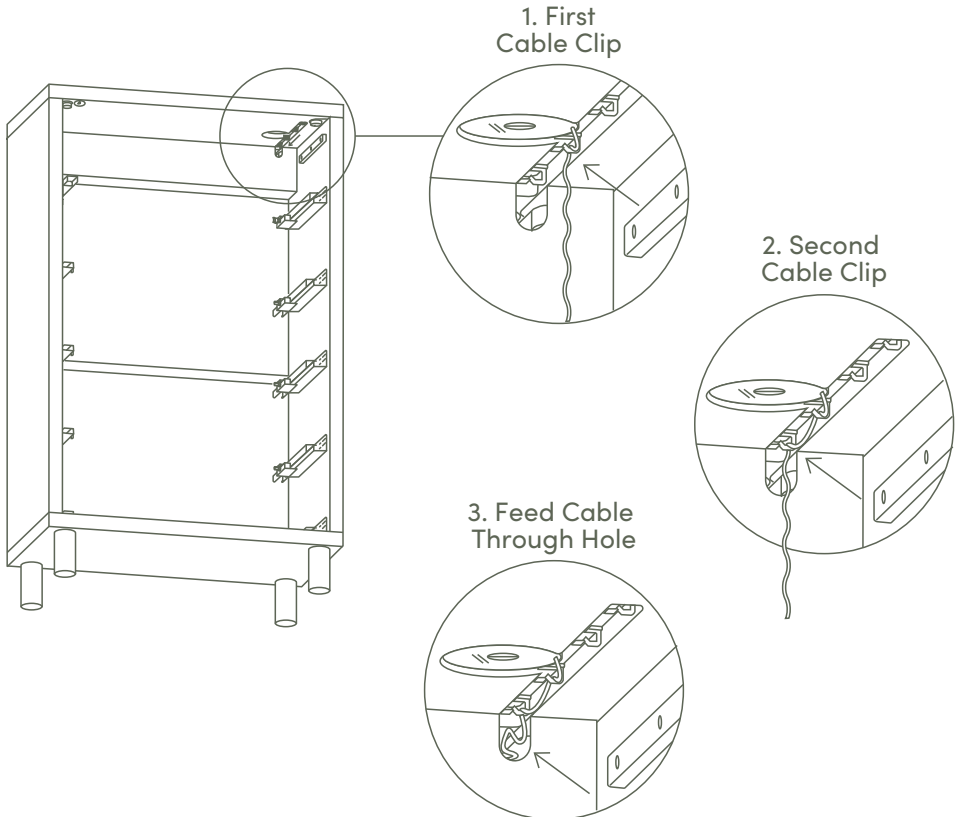
12. Carefully flip the unit into the upright position.

Click the button to watch the assembly video



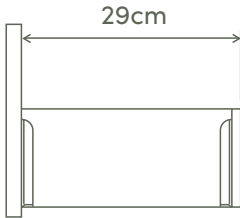
We recommend using two people for this step.

13. Feed the cable of the wireless charger to into the Cable Management Tray. Use the cable clips to manage the cables.



Drawers

There are two drawer sizes for the Chest of Drawers (5 High)
Top Drawer parts have been packed separately and labelled.

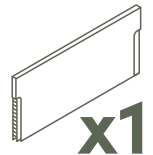
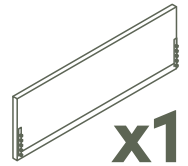
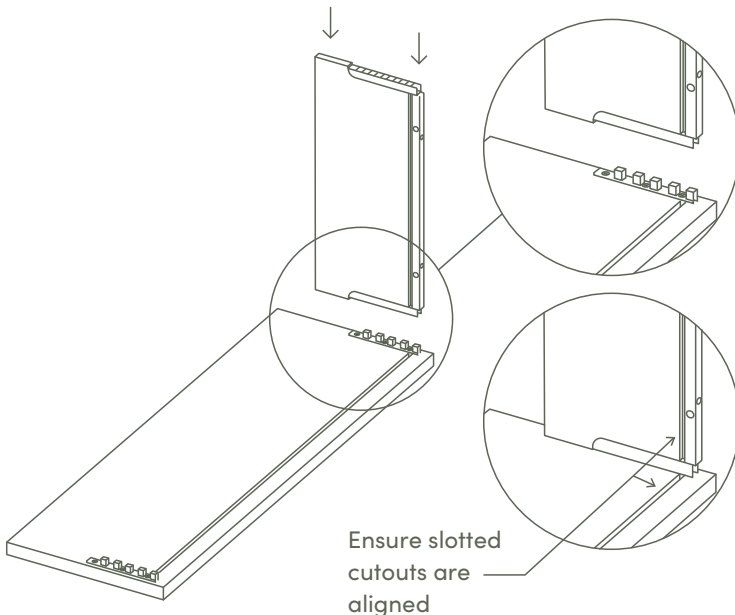


(Top Drawer) **x1**



(Bottom Drawers) **x4**

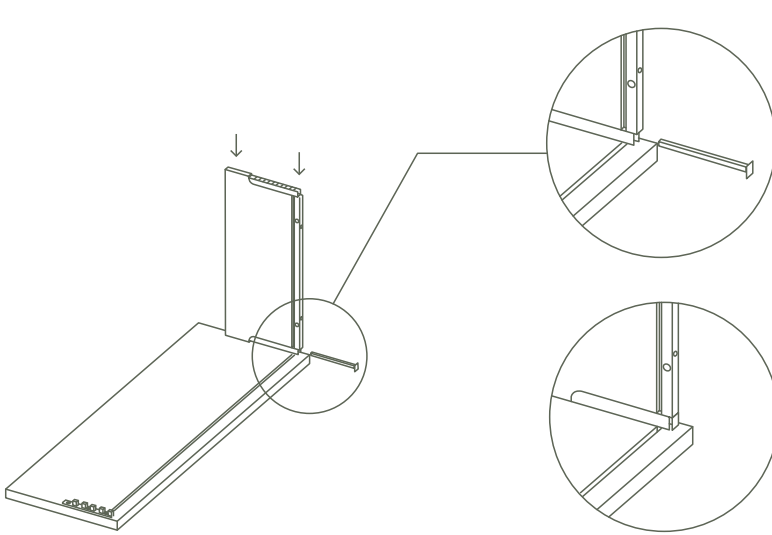
a. Attach the Side Panel to the Drawer front panel by aligning the fittings.



Note that there are two sizes

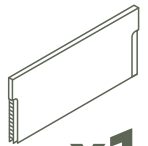
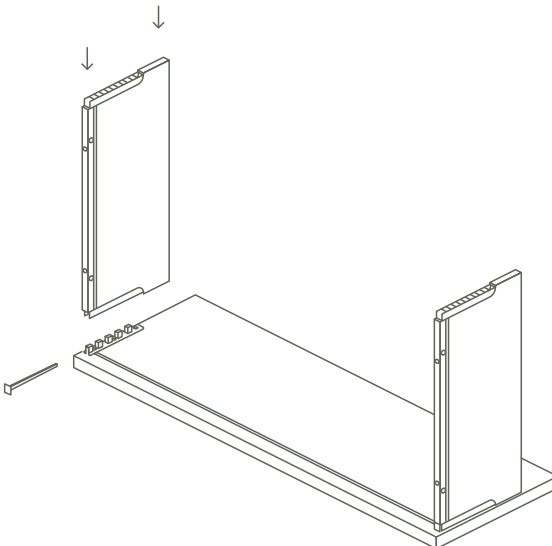
b. Insert the Drawer Locking Pin to secure the Side Panel.

Click the button to watch the assembly video



x1

c. Repeat steps a-b for the other side.



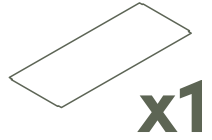
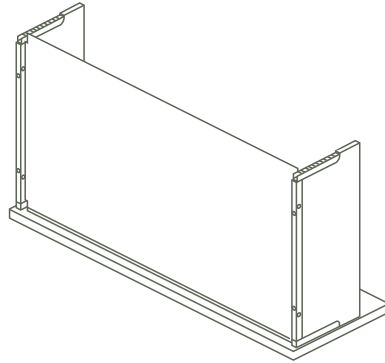
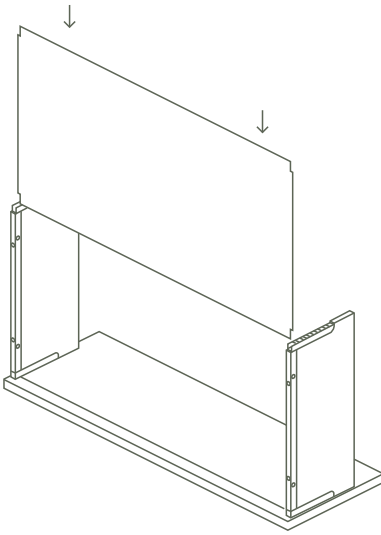
x1



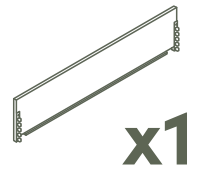
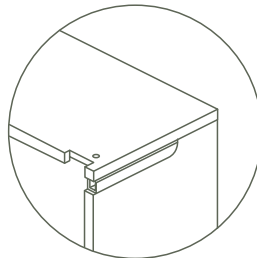
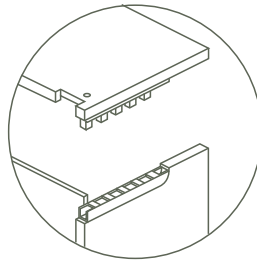
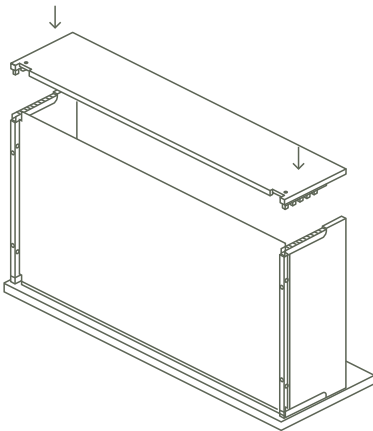
x1

d. Insert the Drawer Base Panel by aligning the slotted cutouts on the Drawer Side Panel.

Click the button to watch the assembly video



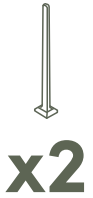
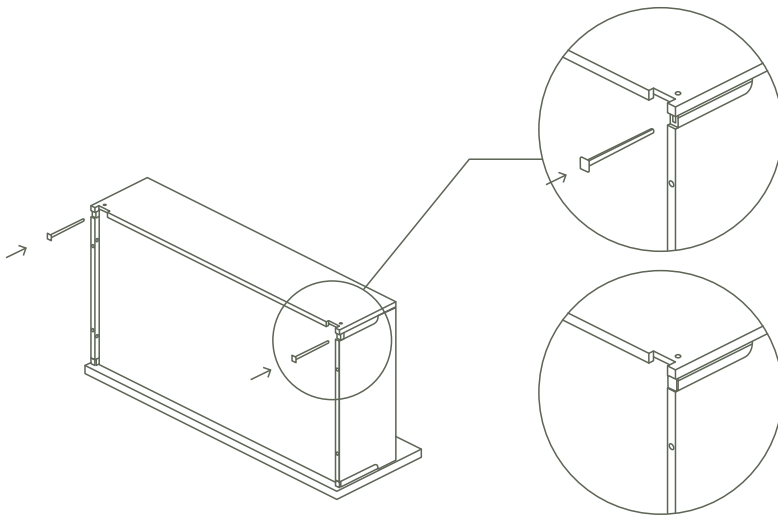
e. Attach the Drawer Rear Panel using the fittings.



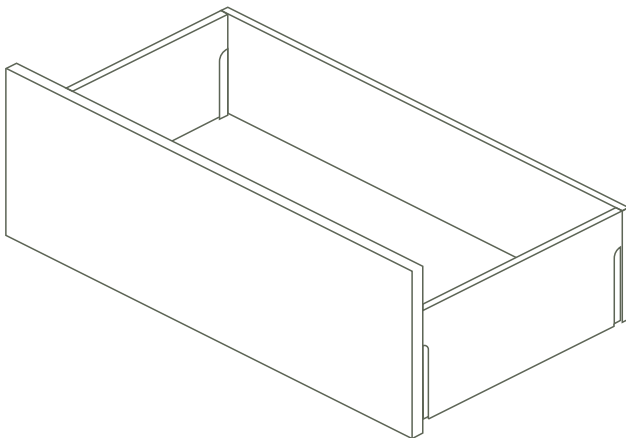
f.

Insert the locking pin to secure the drawer rear panel.

Click the button to watch the assembly video

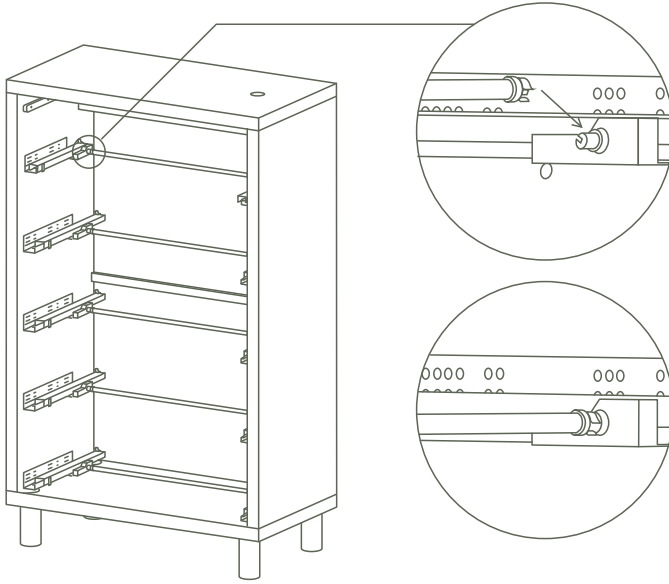


Done! Now repeat these steps with the remaining Drawers.

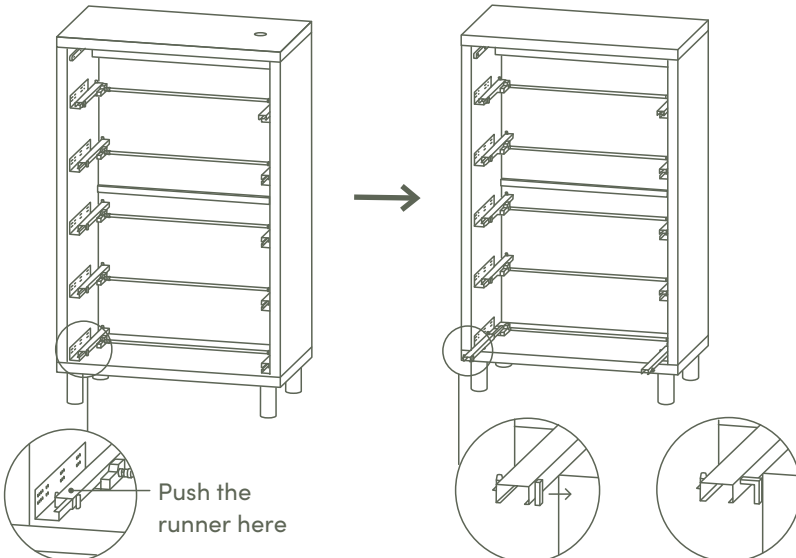


14. Clip on the Synchro Rod as shown. Repeat this step for all remaining synchro rods.

Click the button to watch the assembly video

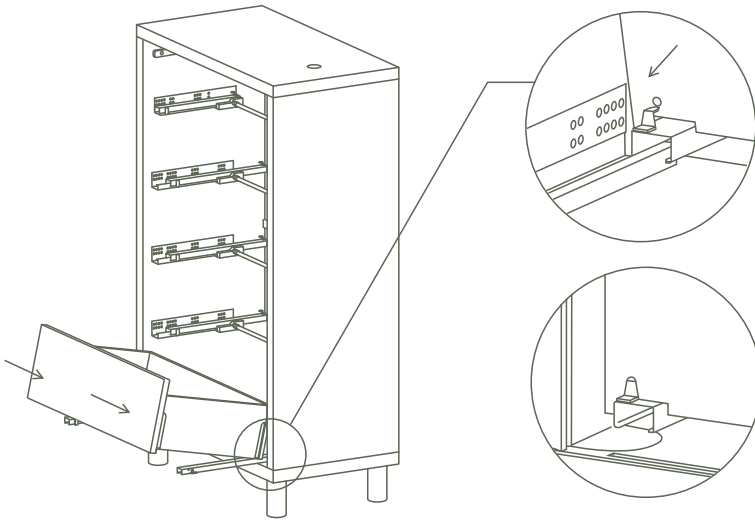


15. For the bottom set of runners, push both at the same time to release the runners. Once both are released flick the tabs into the open position as shown.

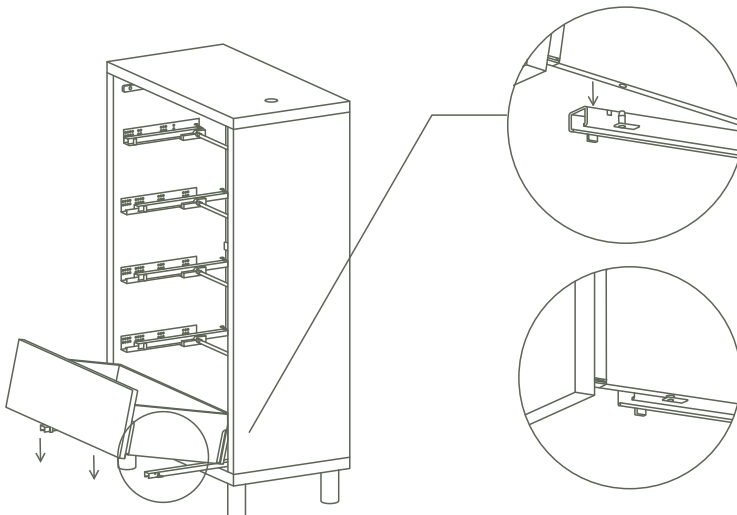


- 16.** Insert the lower drawer onto the runners. Ensure the hook in the rear is aligned with the hole on the Rear Drawer Panel.

Click the button to watch the assembly video

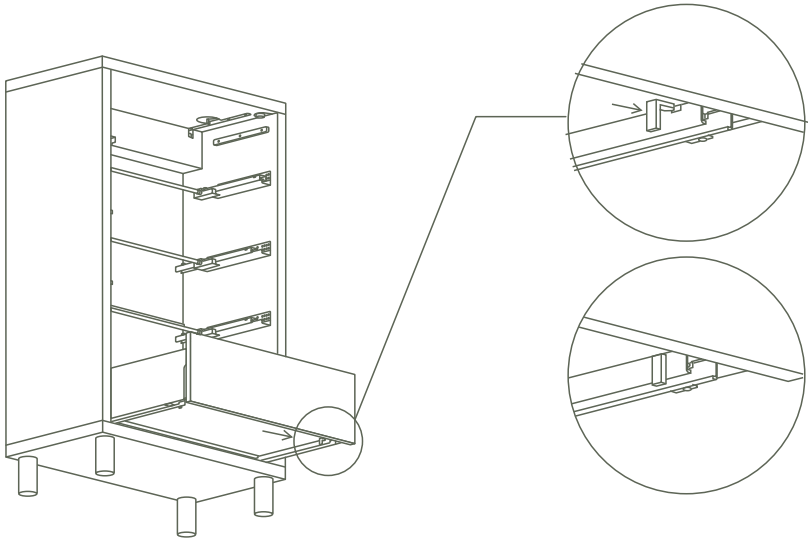


- 17.** Align the pin of the runner to the dowel hole on the side panel and carefully lower the drawer into position.

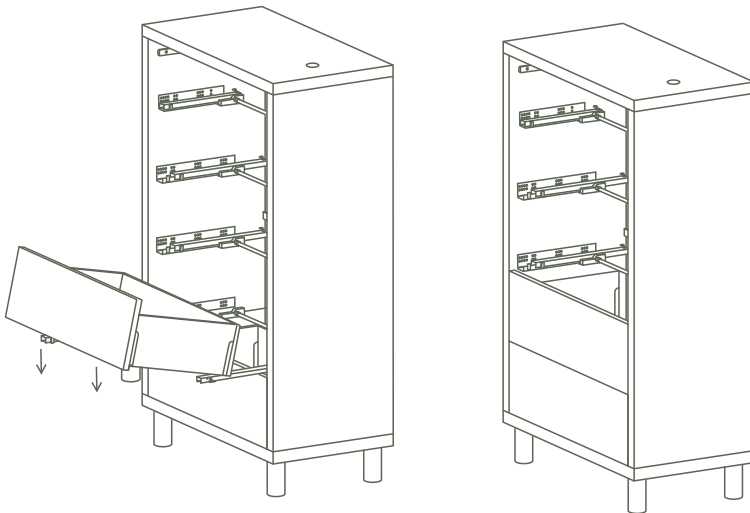


18. Press the tabs on the underside into the closed position as shown then push the drawer in. Repeat for the other side.

Click the button to watch the assembly video

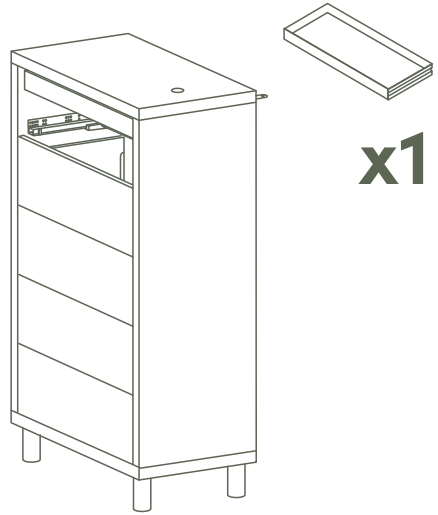
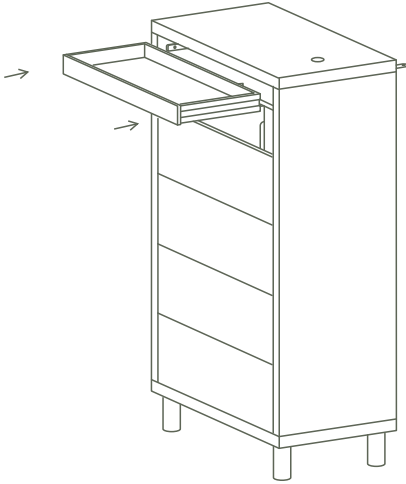


19. Repeat steps 15-18 for the for the remaining bottom Drawers.

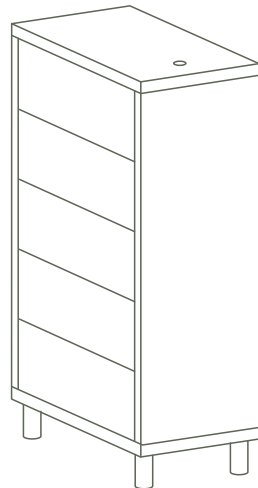
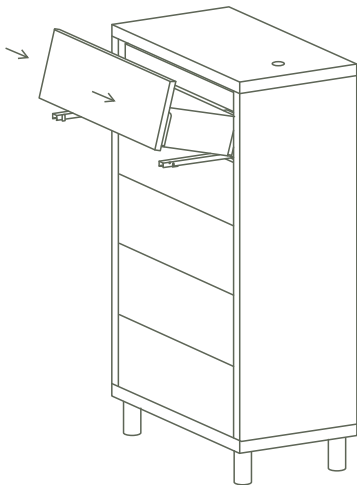


20. Insert the Stash Drawer using the wooden runners.

Click the button to watch the assembly video

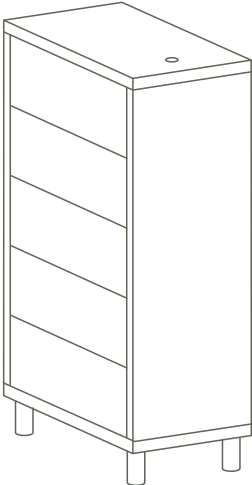


21. Insert the top Drawer.



Enjoy!

Click the button
to watch the
assembly video





How to care for your new Balmain Chest of drawers.

Regular Care (Weekly)

- Dust surface with a dry cloth or duster in the direction of the natural grain.
- Protect from direct sunlight.
- Do not place hot or wet objects directly on the top, use coasters to protect the surface.

Cleaning

- Treat spills as soon as possible, wipe down with clean dry cloth.
- Do not use abrasive cloths, concentrated detergents, silicon based wood polishes.

Safety Information

While we design and engineer this product to be stable, Always secure this furniture to the wall using the wall lanyards provided with the product to secure it to a wall.

Seek advice from a hardware store or qualified tradesman on the best hardware to use to secure the anchor to your wall type. If you are renting, talk to your agent or landlord about installing the wall anchors.

- Always secure this furniture to the wall using the wall lanyards provided with the product to secure it to a wall.
- Avoid placing heavy items or child appealing items like toys on the highest shelves.
- Do not allow small children from climbing on the furniture.
- Do not open more than one drawer at a time.
- Be aware that uneven or soft floor surfaces can affect furniture stability.

Wireless Charger

Avoid Pinching Cables: Ensure that the cables connected to the wireless charger are not pinched between moving parts of the furniture, such as drawers or hinges. This could damage the cables or affect the charging capability.

Regular Inspection: Periodically inspect the furniture to ensure that there are no visible signs of wear or damage to the charging components or cables. If you notice any fraying, cracking or similar damage, unplug and discontinue use to avoid any risk of malfunction or overheating. Contact Koala for further assistance.

Avoid Water Damage: Keep liquids away from the charging area to prevent any water damage to the charger or cables. Spills could potentially short-circuit the charging system and pose safety Hazards.



Specification:

Wireless Charger

Input: 5VDC 3A or 9VDC 2.22 A or 12VDC 1.67A

Output: 20W Max

Power Adapter

Input: 100-240V~ 50/60Hz, 0.6A

Output: 5VDC 3A or 9VDC 2.22 A or 12VDC 1.67A

Power: 20W Max

Device Compatibility:

Most smartphones manufactured after 2017 support Qi wireless charging and are compatible with the Balmain Bedroom Storage range.

To check that your phone is compatible with Qi charging devices, head to your phone manufacturer's website or consult your device's user manual.

How to get the best charging experience:

- To ensure efficient charging, position your phone directly over the wireless charging indicator. Try repositioning your phone if the wireless charger does not connect the first time.

Troubleshooting

- Your phone case thickness and material may affect the charging performance, if you are experiencing issues, try removing the case before charging.
- Do not use phone cases with metal surrounding the phone and be sure that there are no metal or magnetic objects, coins or bank cards obstructing the phone and charging surface.
- Check that the wireless charger is properly plugged in and the power source is on.
- Still not working? Try using another Qi-compatible phone (without a case) and test it to see if the problem lies with your phone or its case.

This product (excluding the wireless charger) is covered by Koala's five (5) year warranty for furniture products. The wireless charger is covered by Koala's one (1) year warranty for electrical components.

You can find full warranty details at this link: <https://koala.com/en-au/warranty>