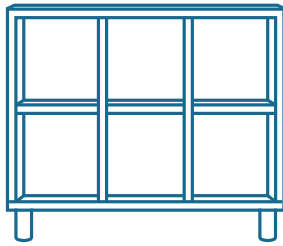
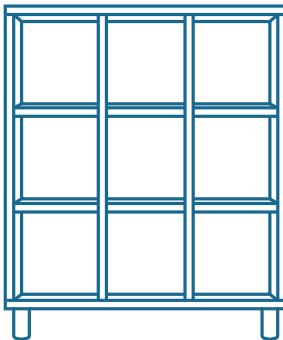


Click the button  
to watch the  
assembly video



3x2



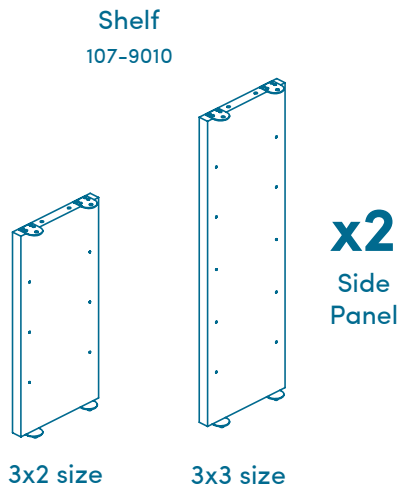
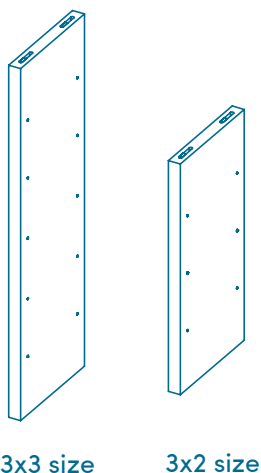
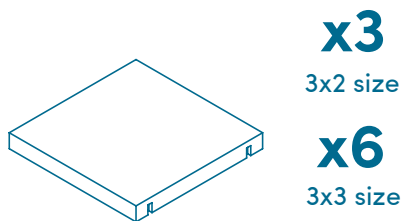
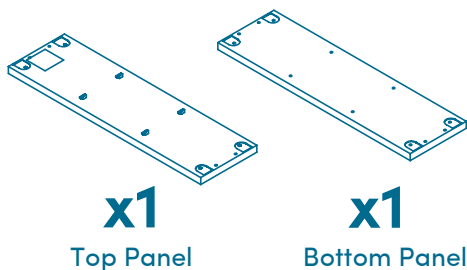
3x3

**BALMAIN BOOKSHELF**

**ko'do**

# What's in the box\*:

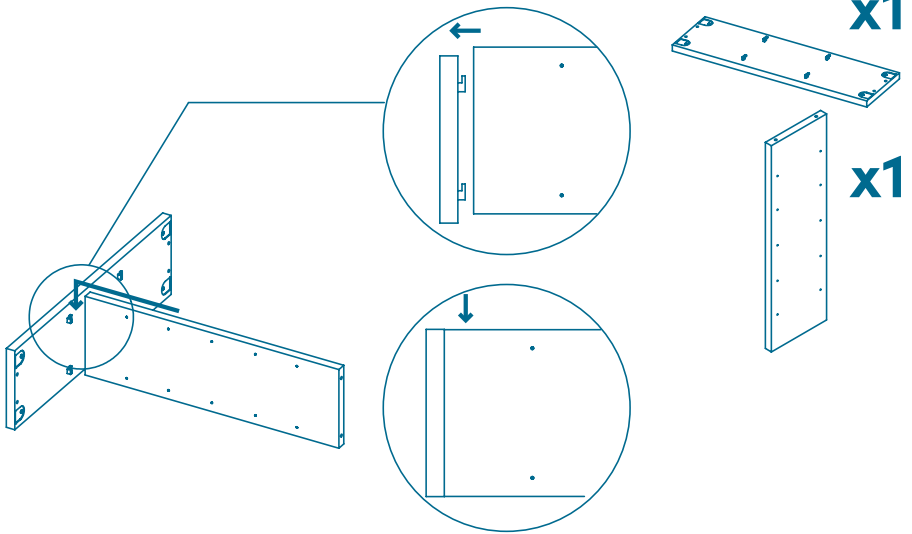
Click the button  
to watch the  
assembly video



1.

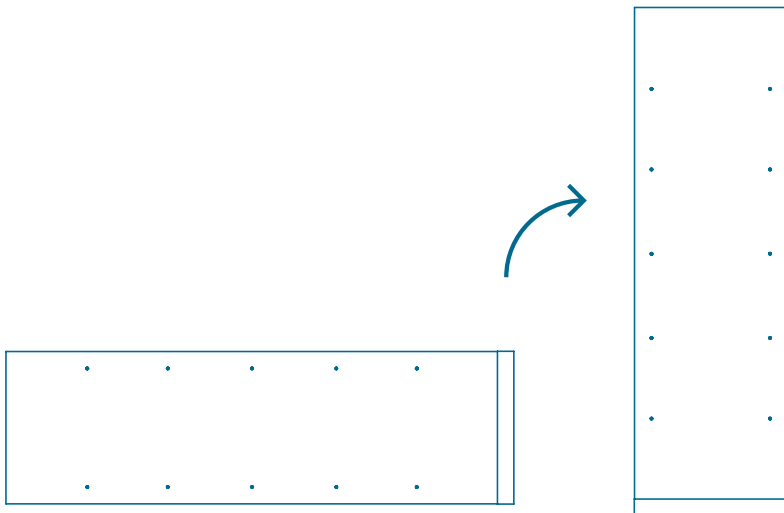
Align the top panel hooks to the centre panel slots and push down firmly. Repeat this step for the other centre panel.

Click the button to watch the assembly video



2.

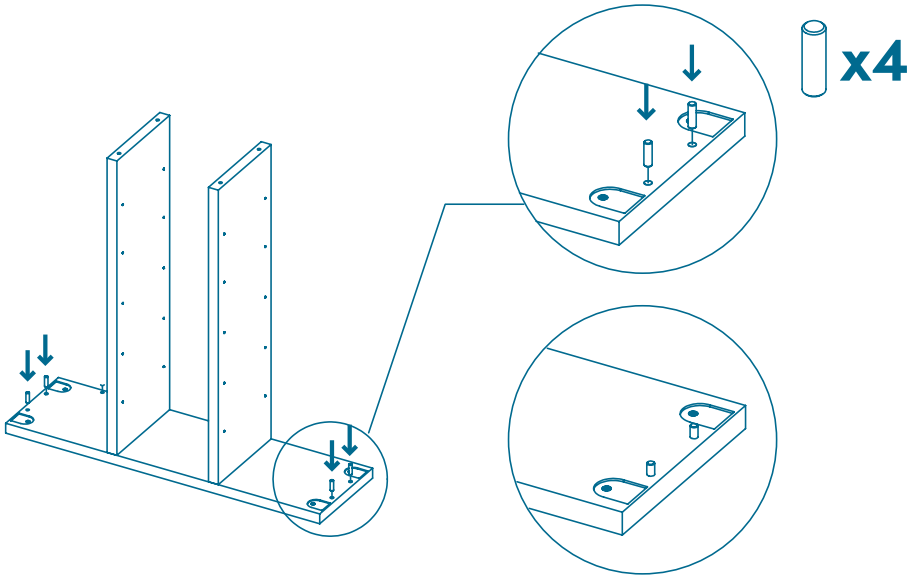
Carefully flip the unit into the upright position shown.



# 3.

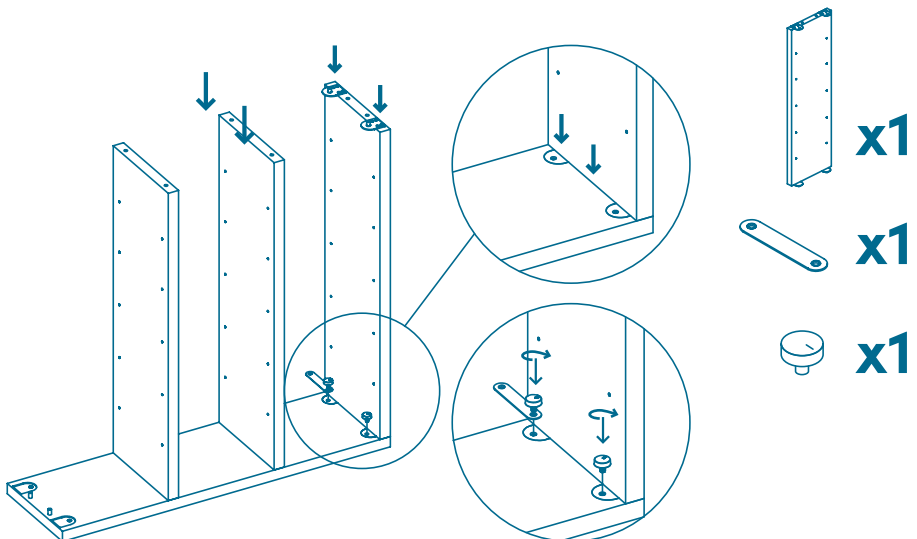
Insert dowels into the top panels.

Click the button to watch the assembly video



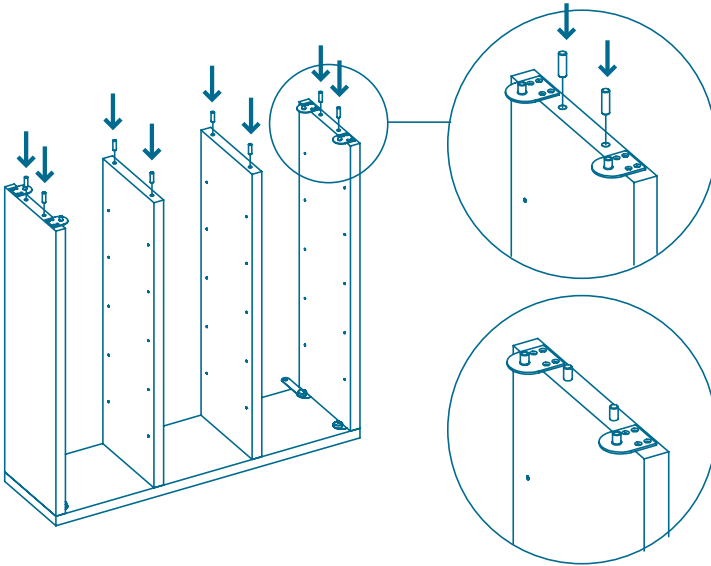
# 4.

Align the dowels and insert side panel into position. Screw in gumnuts with the wall lanyard as shown. Repeat on other side.



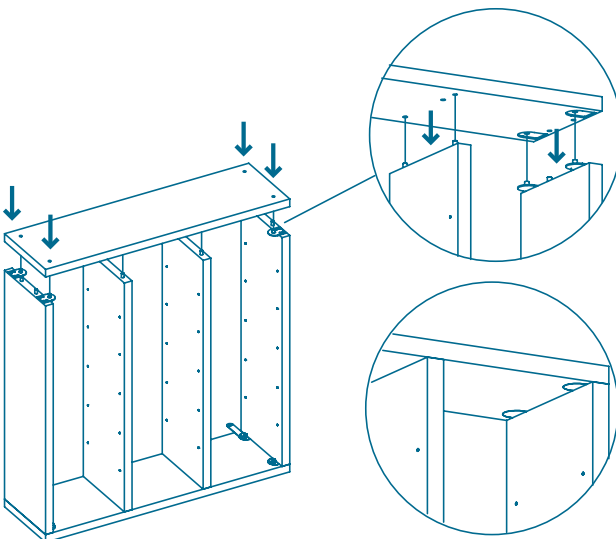
**5.** Insert dowels into the holes found on the side and centre panels.

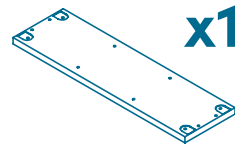
Click the button to watch the assembly video



 **x8**

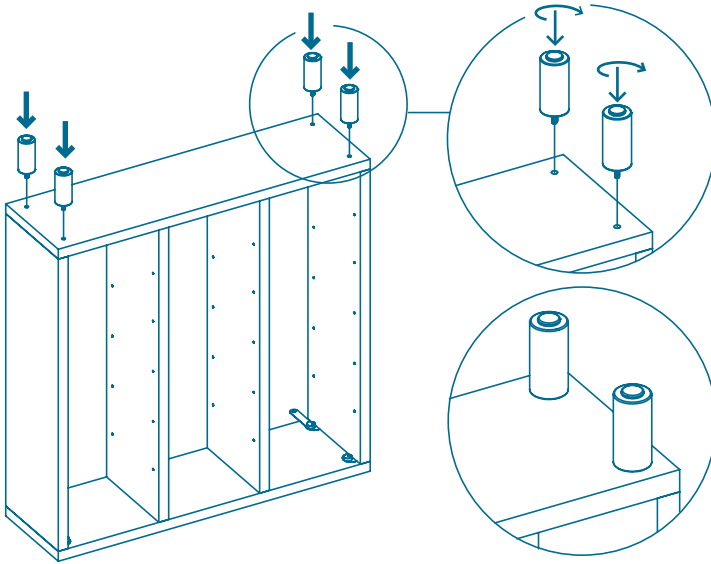
**6.** Align all the dowels and place the bottom panel onto the side and centre panels.



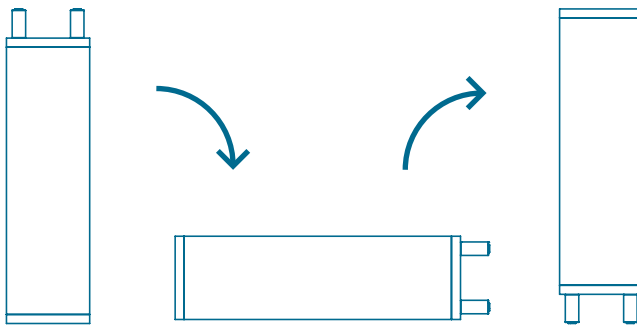
 **x1**

# 7. Firmly screw in the legs.

Click the button to watch the assembly video



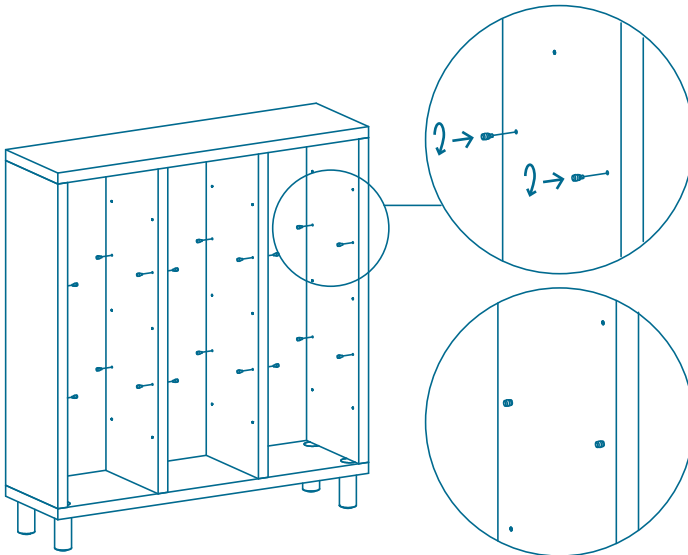
# 8. Carefully flip the unit into the upright position.



Note: Use two people for this step.

**9.** Screw in the shelf pin's into the desired locations.

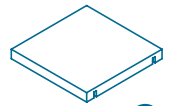
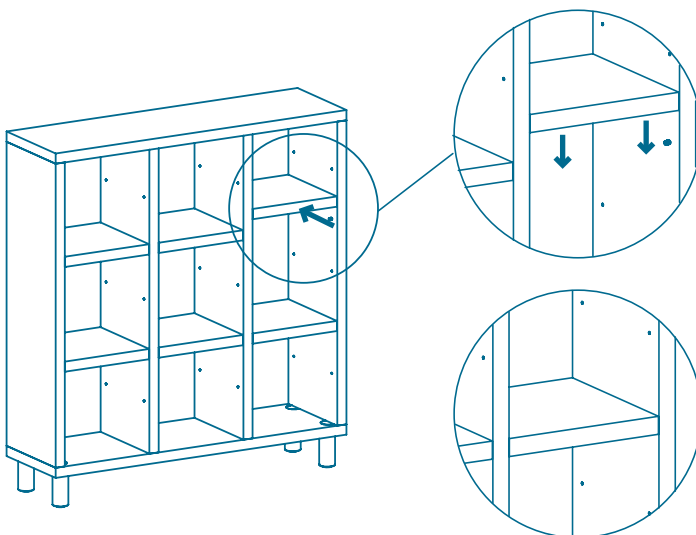
Click the button to watch the assembly video



**x12**  
(3x2)

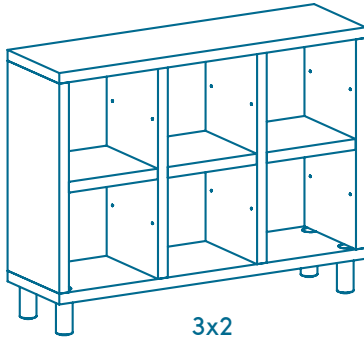
**x24**  
(3x3)

**10.** Place the shelves into the desired locations.

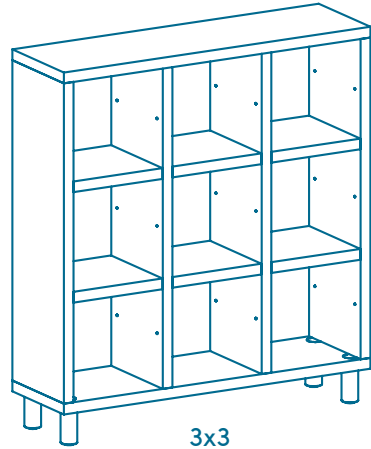


**x3**  
(3x2)

**x6**  
(3x3)



3x2



3x3

---

## Product Information and Care

### TIMBER

#### Regular Care (Weekly)

- Dust surface with a dry cloth or duster in the direction of the natural grain.
- Protect from direct sunlight.
- Do not place hot objects directly onto the surface.

#### Cleaning

- Treat spills as soon as possible, wipe down with clean dry cloth.
- Do not use abrasive cloths, concentrated detergents, silicon based wood polishes.

#### Good to Know

- Timber is a natural product and there will be variation in grain, colour and features such as knots. Over time the colour of timber will naturally change.

### SAFETY AND USE

- Always secure this furniture to the wall using wall lanyards provided with the product.
- Always get a qualified tradesperson to secure the wall lanyard to your wall type.
- Serious or fatal crushing injuries can occur from furniture tip-over if not secured.
- Do not allow children to stand, climb, sit or hang on the furniture.
- This product has passed stability testing as specified in AS/NZS 4935.
- Weight limit for shelves and top panel is 10kgs load evenly distributed.
- Periodically check and tighten gumnuts.