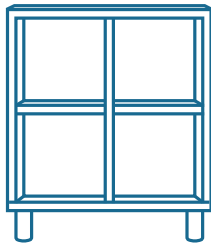
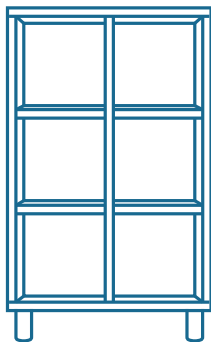


Click the button
to watch the
assembly video



2x2



2x3

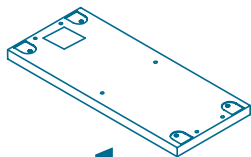
BALMAIN BOOKSHELF



What's in the box*:

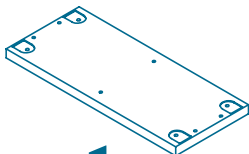
*Not to scale

Click the button
to watch the
assembly video



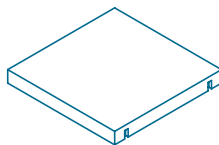
x1

Top Panel



x1

Bottom Panel



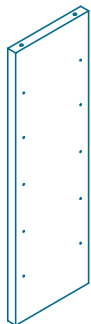
x2

2x2 size

Shelf
107-9010

x4

2x3 size



2x3 size



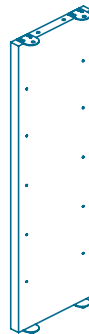
2x2 size

x1

Centre
Panel



2x3 size



2x2 size

x2

Side
Panel



x12

Dowel
107-9022



x4

Leg
107-9008



Shelf Pin
107-9009

x12

3x2 size

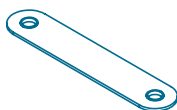
x24

3x3 size



x4

Gumnut
107-9021



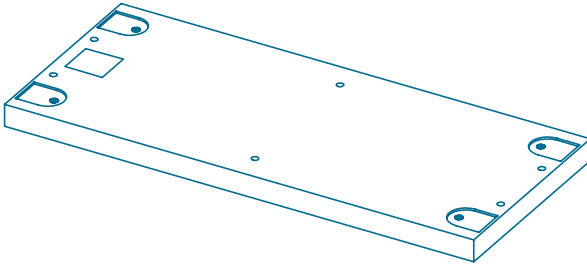
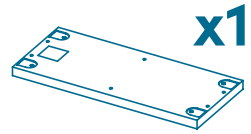
x2

Wall Mounting
Lanyards

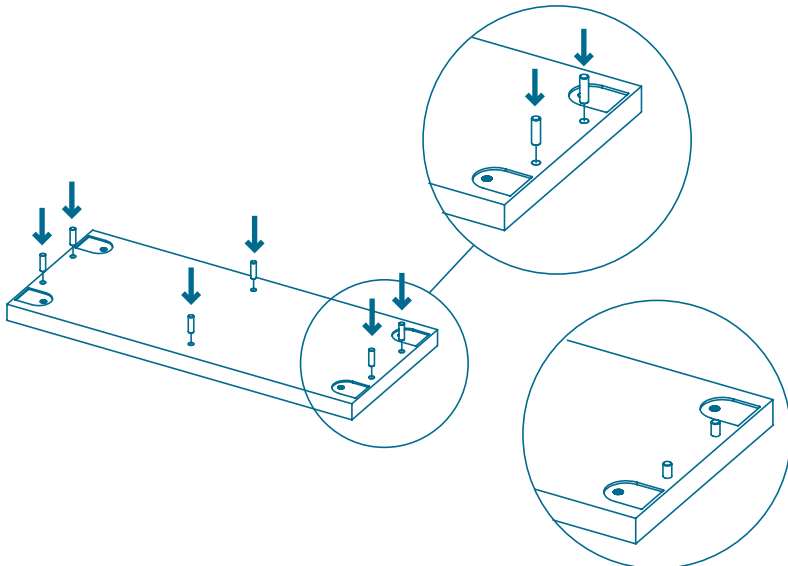
107-9012

1. Lay the top panel in a spacious area with the warning labels facing up.

Click the button to watch the assembly video



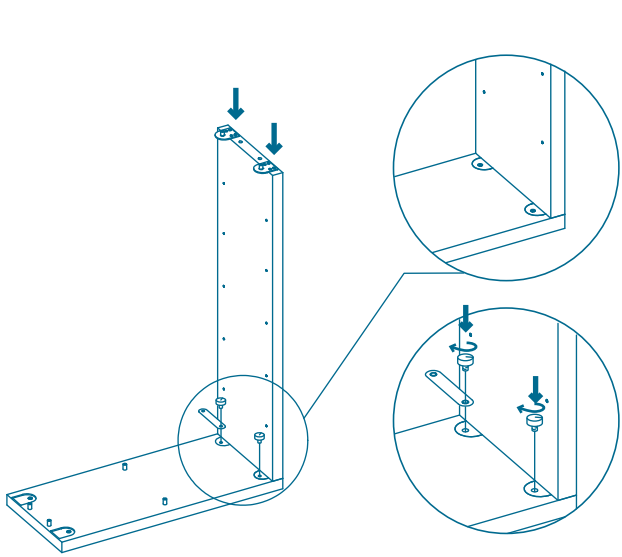
2. Insert dowels into the top panel.






 **x6**

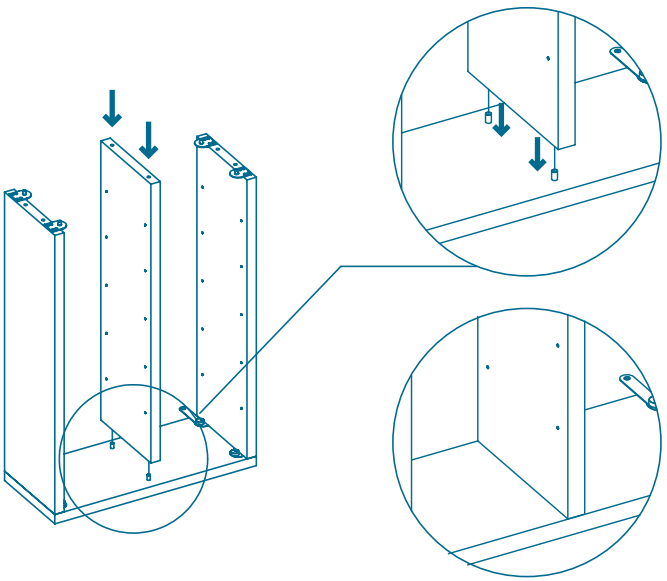
3. Align the dowels and insert side panel into position. Screw in gumnuts with the wall lanyard as shown. Repeat on other side.


Click the button to watch the assembly video



-  **x1**
-  **x1**
-  **x2**

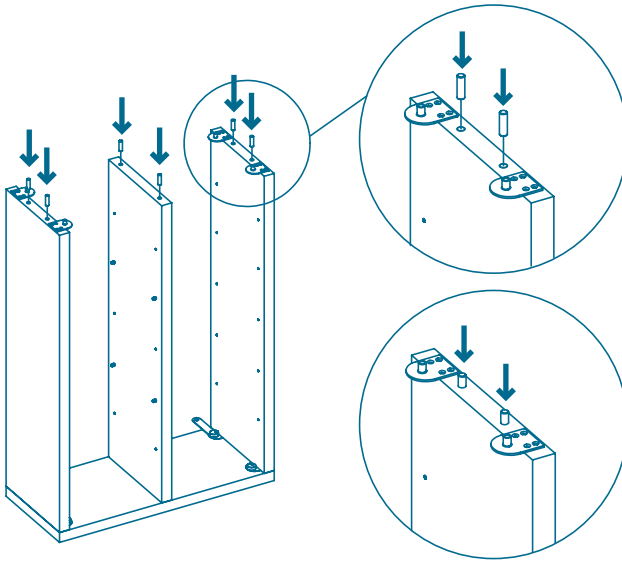
4. Align the dowels and insert the centre panel into the top panel.



-  **x1**

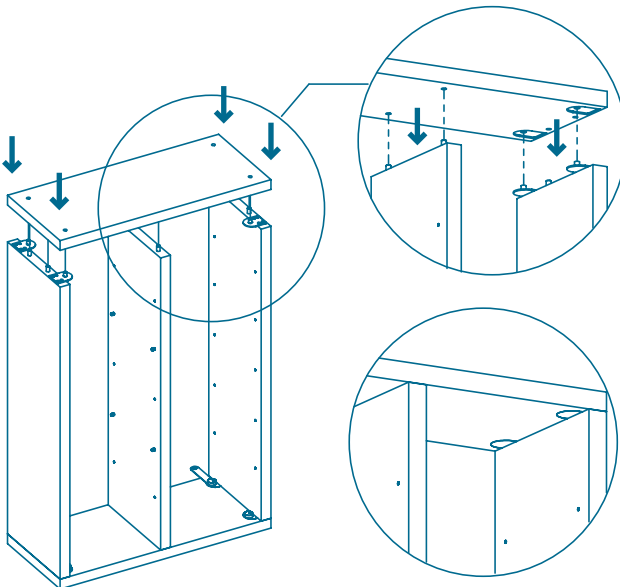
5. Insert dowels into the holes found on the side and centre panels.

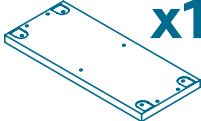
Click the button to watch the assembly video



 **x6**

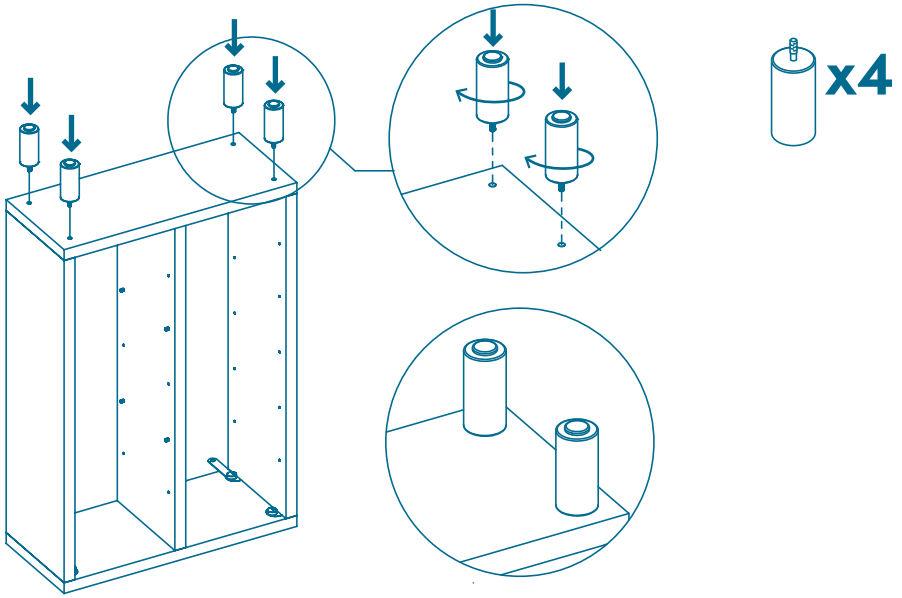
6. Align all the dowels and place the bottom panel onto the side and centre panels.



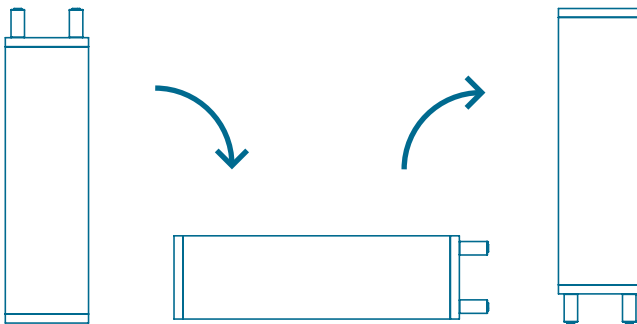
 **x1**

7. Firmly screw in the legs.

Click the button to watch the assembly video



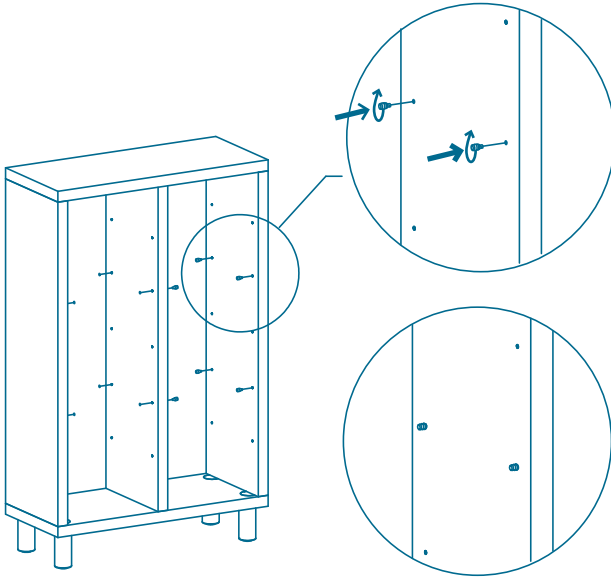
8. Carefully flip the unit into the upright position.



9.

Screw in the shelf pins into the desired locations.

Click the button to watch the assembly video

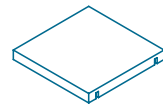
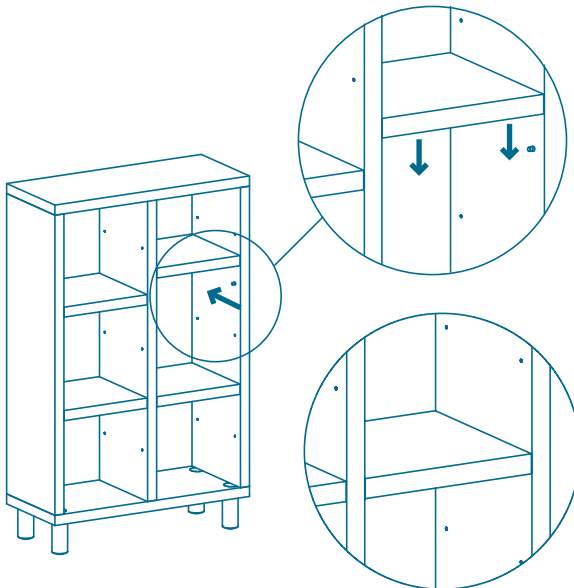


x8
(2x2)

x16
(2x3)

10.

Place the shelves into the desired locations.

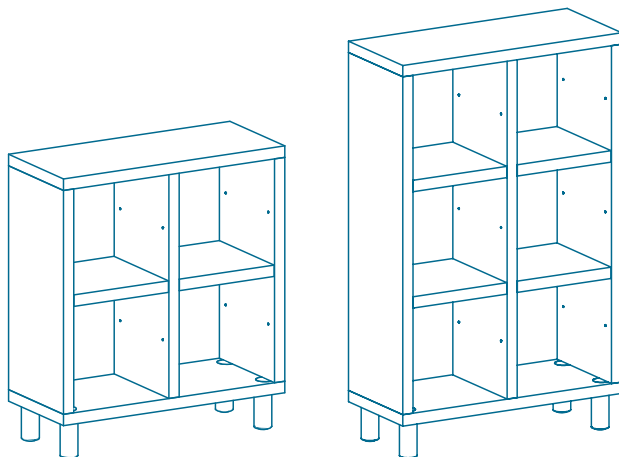


x2
(2x2)

x4
(2x3)

11. Done!

Click the button
to watch the
assembly video



Product Information and Care

TIMBER

Regular Care (Weekly)

- Dust surface with a dry cloth or duster in the direction of the natural grain.
- Protect from direct sunlight.
- Do not place hot objects directly onto the surface.

Cleaning

- Treat spills as soon as possible, wipe down with clean dry cloth.
- Do not use abrasive cloths, concentrated detergents, silicon based wood polishes.

Good to Know

- Timber is a natural product and there will be variation in grain, colour and features such as knots. Over time the colour of timber will naturally change.

SAFETY AND USE

- Always secure this furniture to the wall using wall lanyards provided with the product.
- Always get a qualified tradesperson to secure the wall lanyard to your wall type.
- Serious or fatal crushing injuries can occur from furniture tip-over if not secured.
- Do not allow children to stand, climb, sit or hang on the furniture.
- This product has passed stability testing as specified in AS/NZS 4935.
- Weight limit for shelves and top panel is 10kgs load evenly distributed.
- Periodically check and tighten gumnuts.