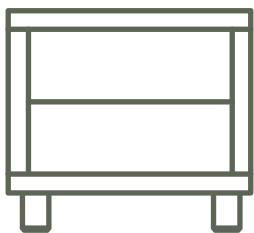


July 2024

Click the button  
to watch the  
assembly video

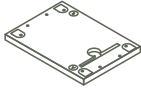


**BALMAIN BEDSIDE TABLE**

**o  
|  
o  
o  
K**

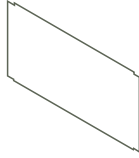
# What's in the box\*:

\*Not to scale



**x1**

Top Panel



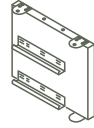
**x1**

Back Panel



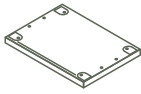
**x4**

Leg



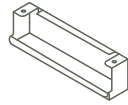
**x2**

Side Panel



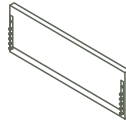
**x1**

Base Panel



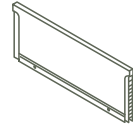
**x1**

Cable Management  
Tray



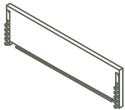
**x2**

Drawer Front  
Panel



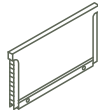
**x2**

Drawer Side Panel  
(Bottom Drawer)



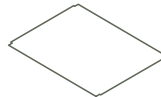
**x2**

Drawer Rear  
Panel



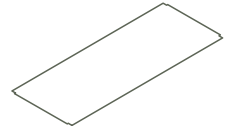
**x2**

Drawer Side  
Panel  
(Top Drawer)



**x1**

Drawer Base Panel  
(Bottom Drawer)



**x1**

Drawer Base  
Panel  
(Top Drawer)



**x8**

Drawer Locking Pin



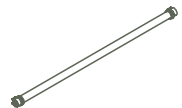
**x8**

Dowel



**x4**

Gumnut

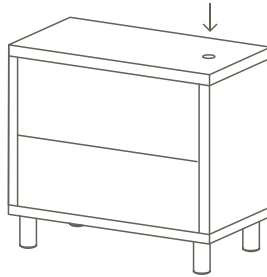


**x2**

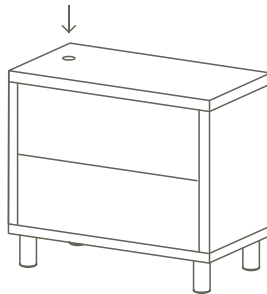
Synchro Rod

# Wireless Charging Position

You can orientate the Top Panel to position the wireless charger to either the left or the right:



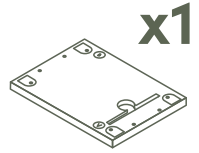
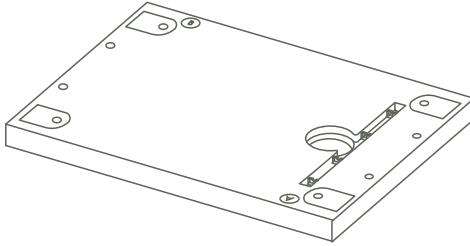
Right Side  
See Step 3A



Left Side  
See Step 3B

**1.** Lay the top panel on a flat surface.

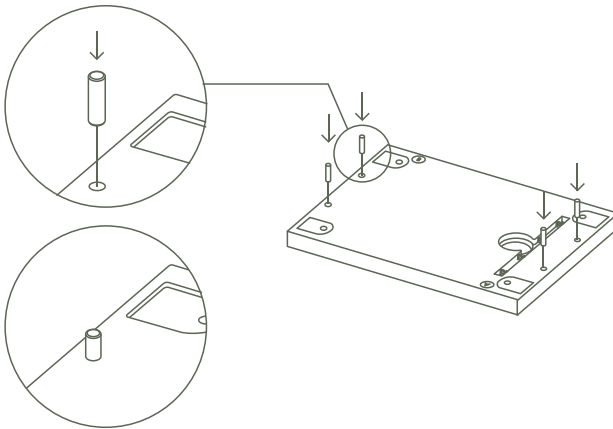
Click the button  
to watch the  
assembly video



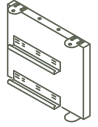
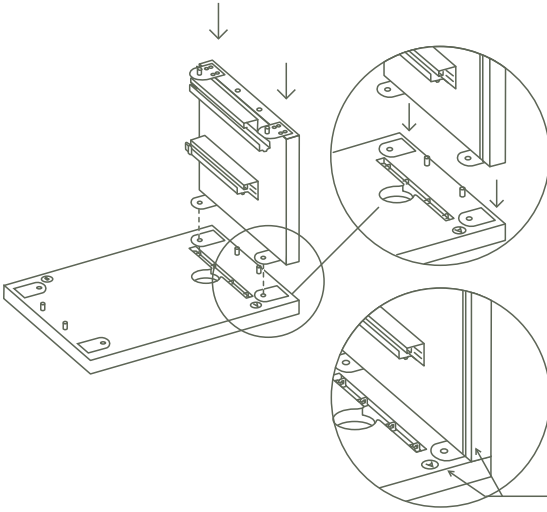
Ensure surface will  
not scratch the unit.

---

**2.** Insert dowels into the holes shown.



**3a.** To have the wireless charger on the right-hand side. Align Sticker "A" with the slotted cutout found on the side panel. Then fit the other side panel.

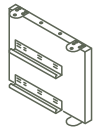
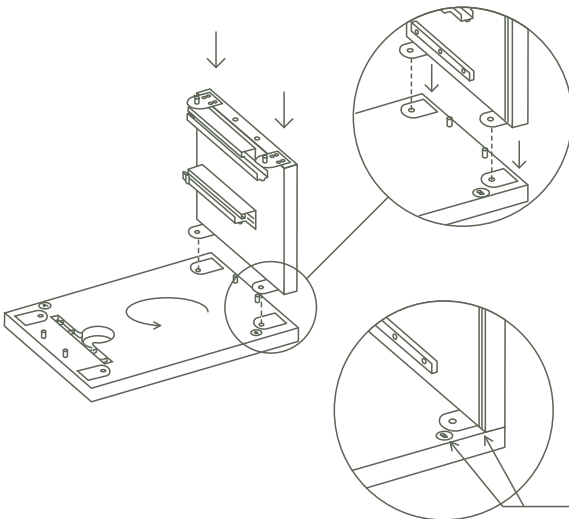


**x1**



Note the position of the slotted cutout and sticker

**3b.** To have the wireless charger on the right-hand side. Align Sticker "B" with the slotted cutout found on the side panel. Then fit the other Side Panel.



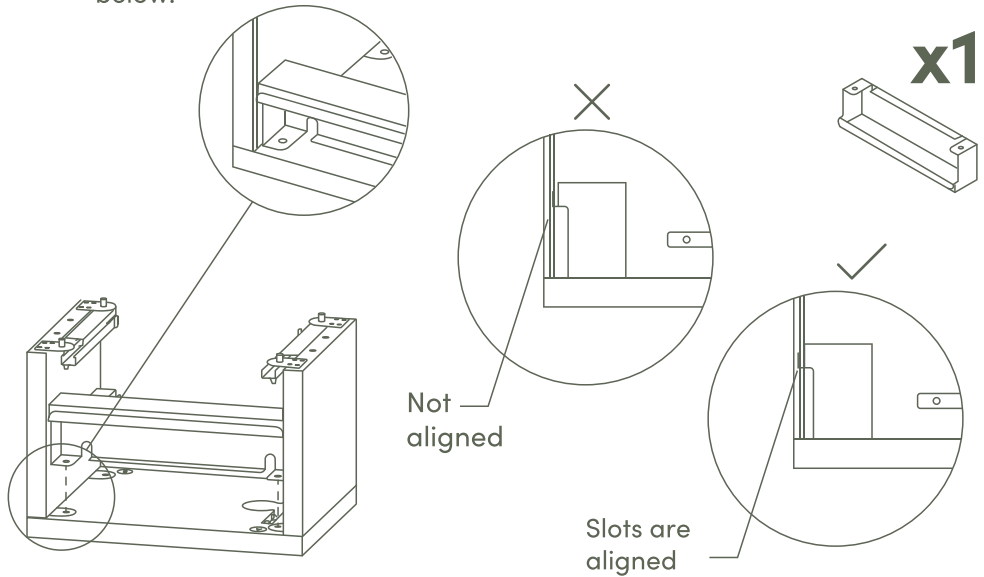
**x1**



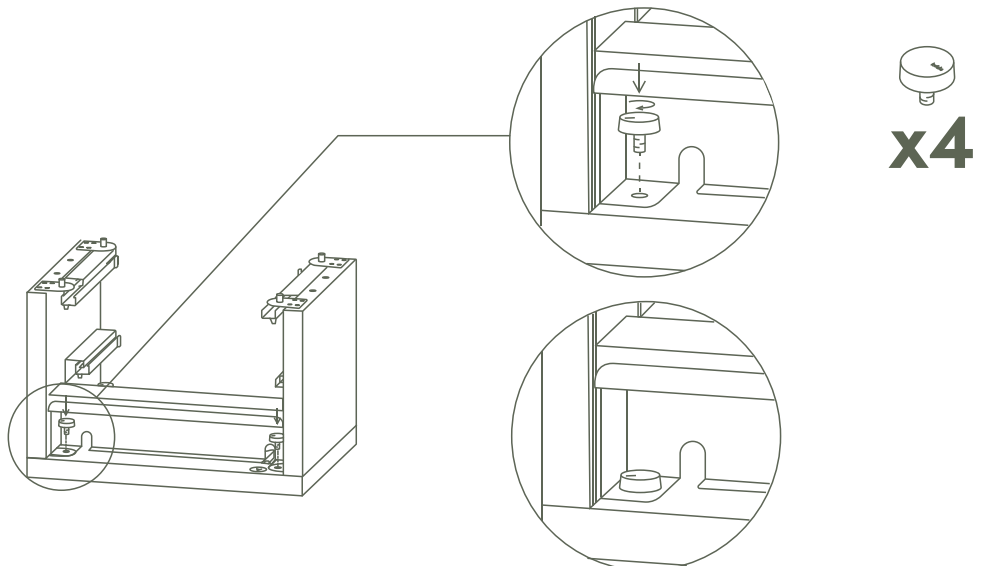
Note the position of the slotted cutout and sticker

- 4.** Lower the Cable Management Tray into position, ensure the Cable Management Tray grooves are aligned to the side panel slotted cutouts as shown on the images below.

Click the button to watch the assembly video



- 5.** Using the Gumnuts provided. Fasten the Side Panel through the cable management tray as shown in the image. Repeat this for the other side.

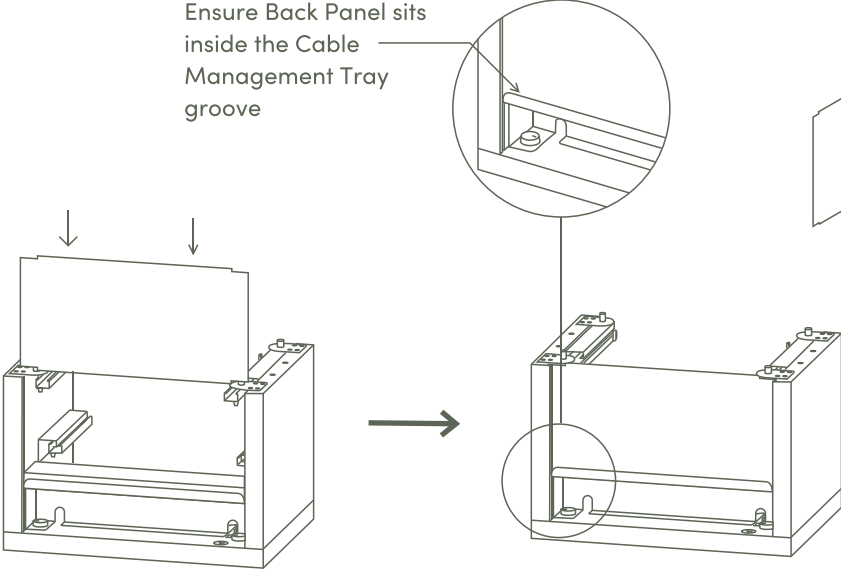


**6.** Lower the back panel into position using the slotted cutouts.

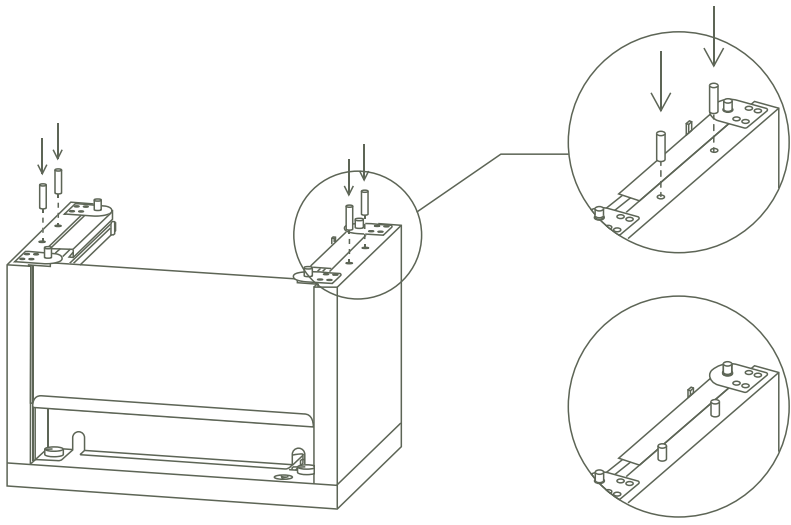
Click the button to watch the assembly video



Ensure Back Panel sits inside the Cable Management Tray groove



**7.** Insert dowels into the positions shown.

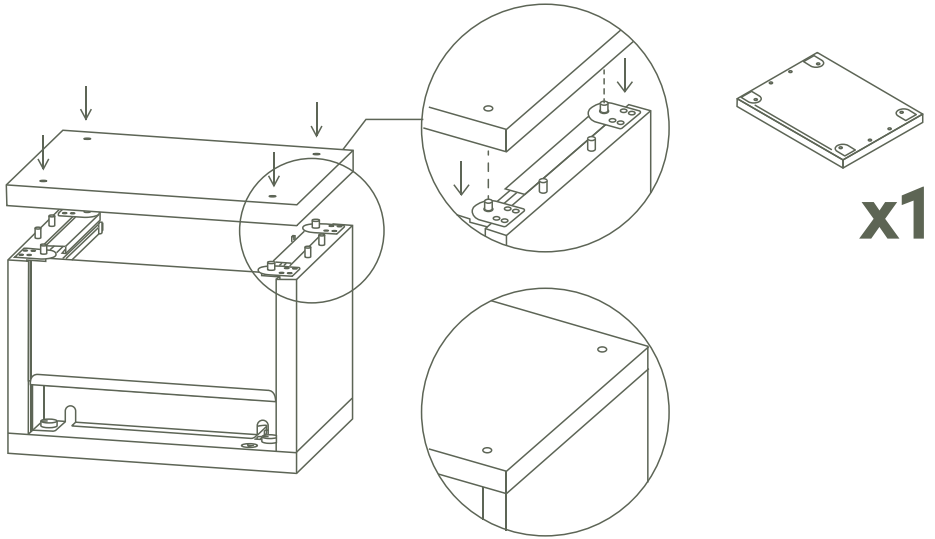


**x4**

8.

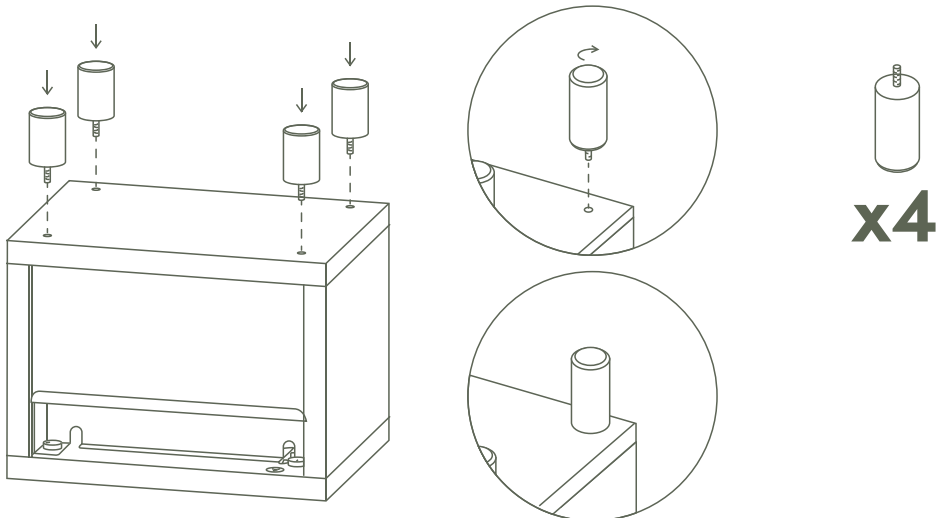
Carefully lower the Base Panel into position.  
Use the Dowels to help align the panel.

Click the button  
to watch the  
assembly video



9.

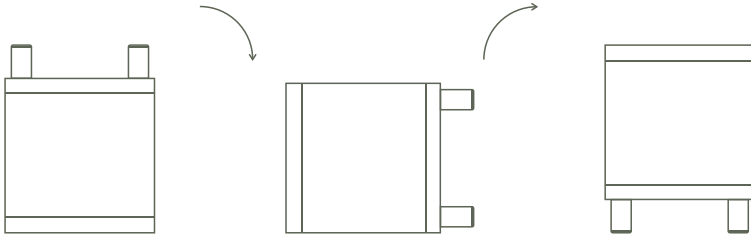
Fasten the Legs into position.



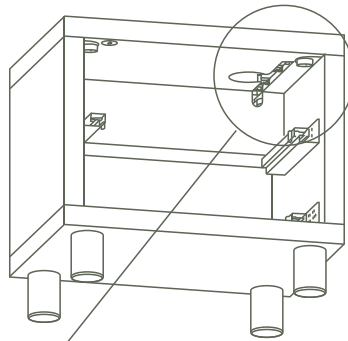


**10.** Carefully flip the unit into the upright position.

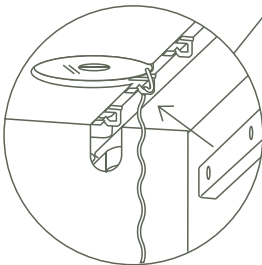
Click the button to watch the assembly video



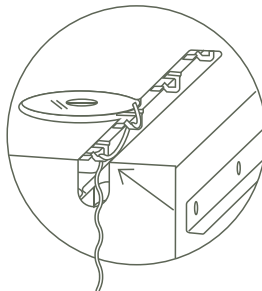
**11.** Feed the cable of the wireless charger to into the Cable Management Tray. Use the Cable Clips to manage the cables.



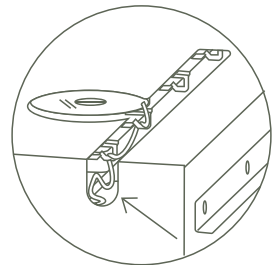
First Cable Clip



Second Cable Clip

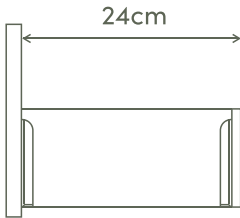


Feed Cable Through Hole

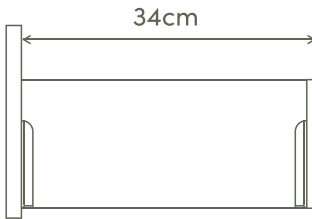


# Drawers

There are two drawer sizes for the Bedside Table  
Top Drawer parts have been packed separately and labelled.

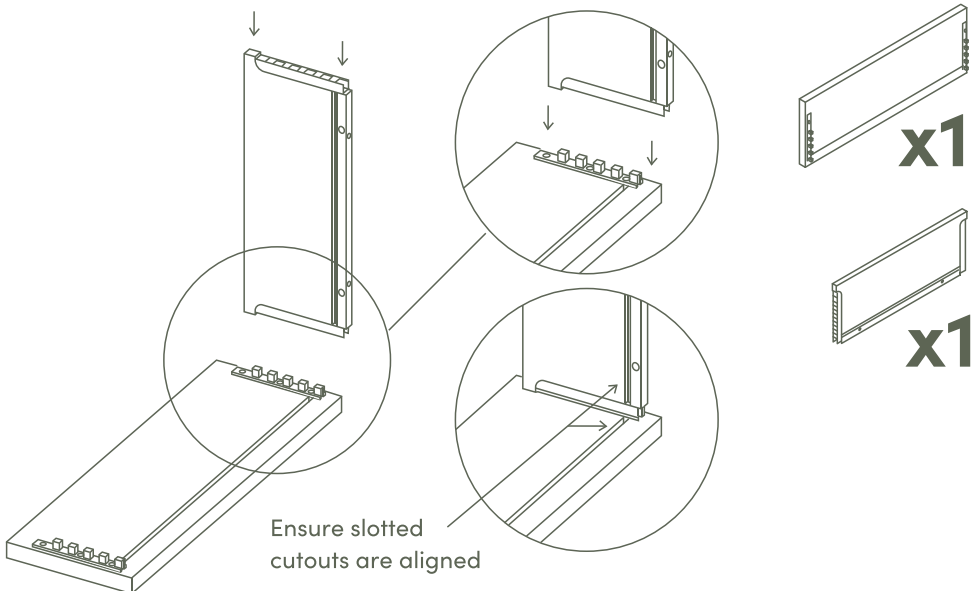


(Top Drawer) **x1**



(Bottom Drawers) **x1**

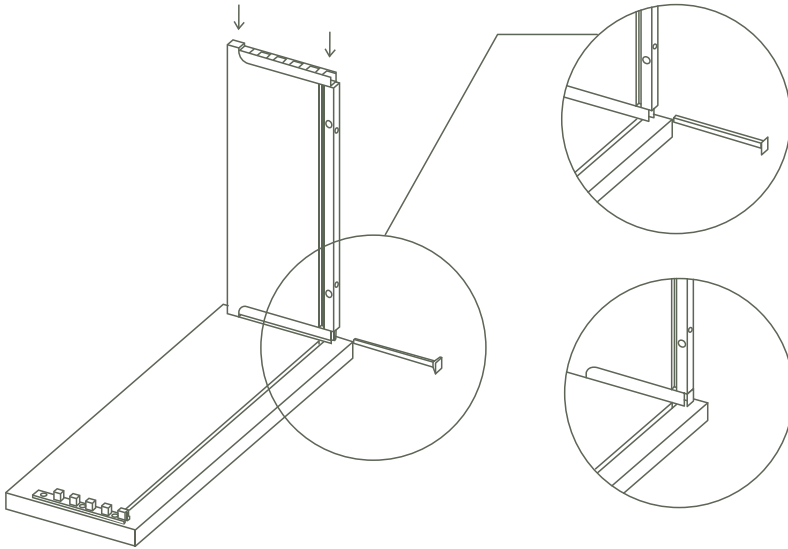
**a.** Attach the Side Panel to the Drawer front panel by aligning the fittings.



**b.**

Insert the Drawer Locking Pin to secure the Side Panel.

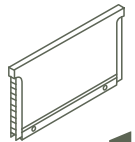
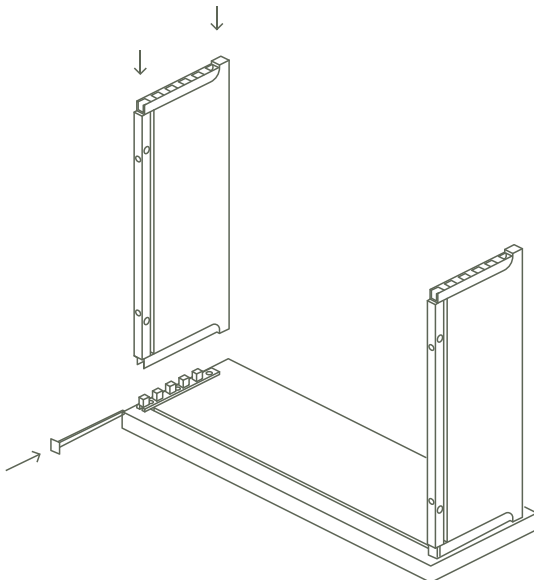
Click the button to watch the assembly video



**x1**

**c.**

Repeat steps a-b for the other side.



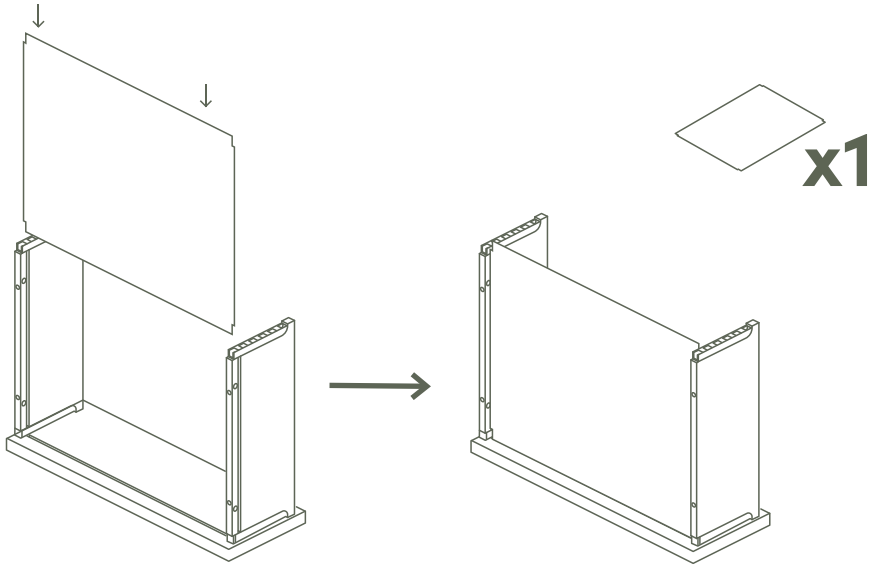
**x1**



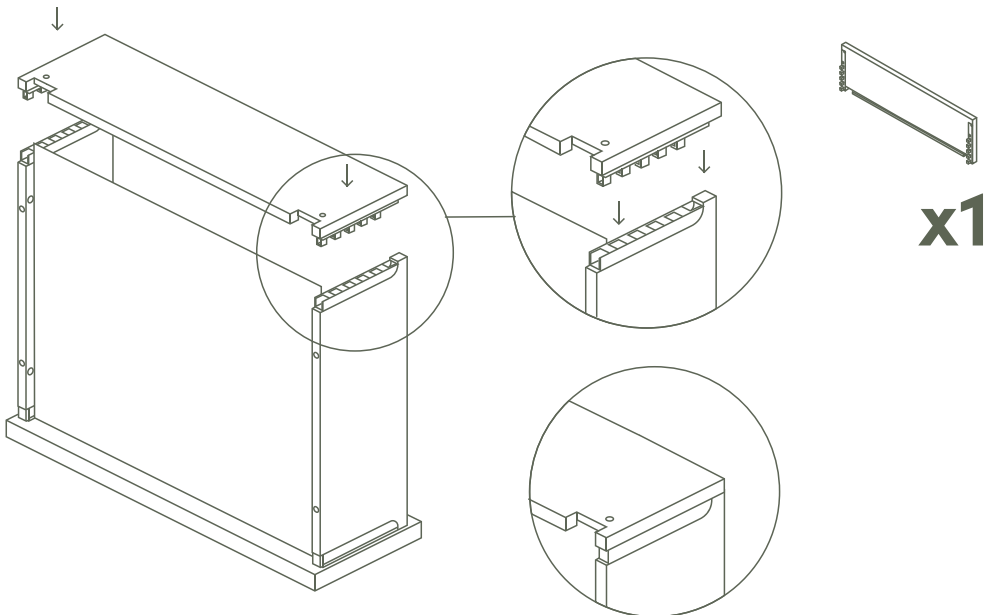
**x1**

**d.** Insert the Drawer Base Panel by aligning the slotted cutouts on the Drawer Side Panel.

Click the button to watch the assembly video



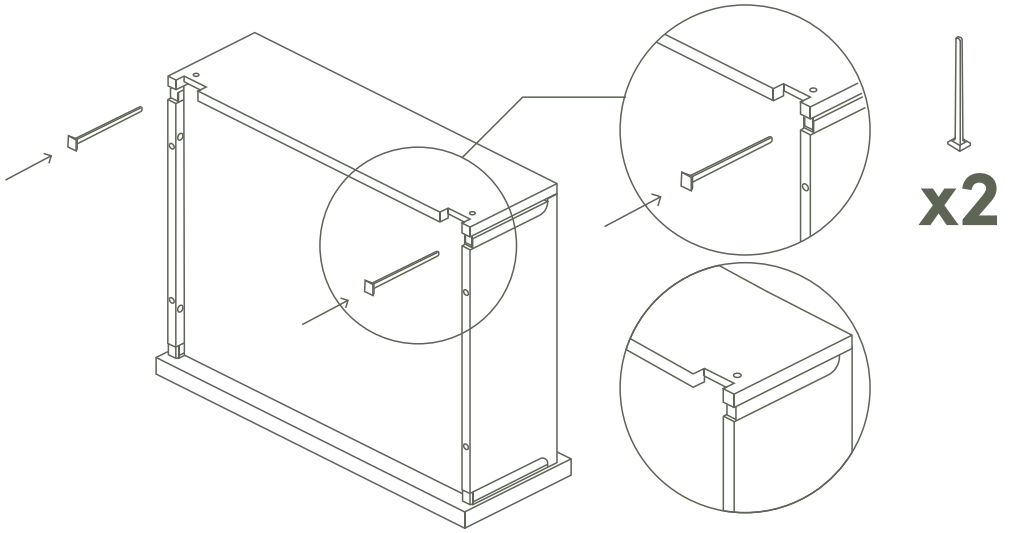
**e.** Attach the Drawer Rear Panel using the fittings.



**f.**

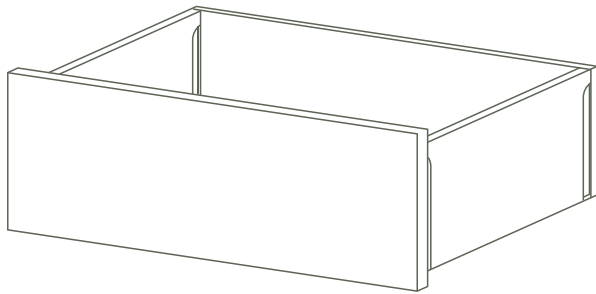
Insert the Locking Pins to secure the Drawer Rear Panel.

Click the button to watch the assembly video



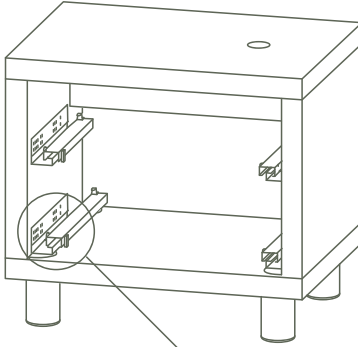
---

Done! Now repeat these steps with the remaining Drawer.

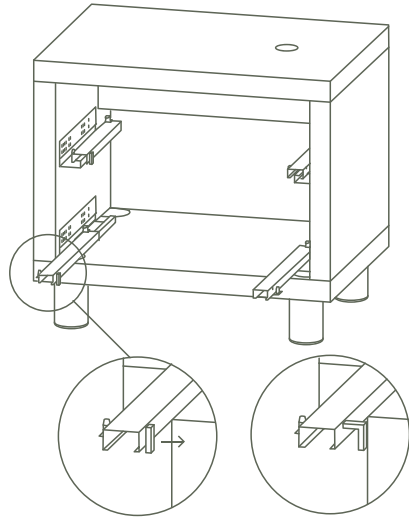


**12.** For the bottom set of runners, push both at the same time to release the runners. Once both are released flick the tabs into the open position as shown.

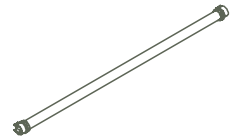
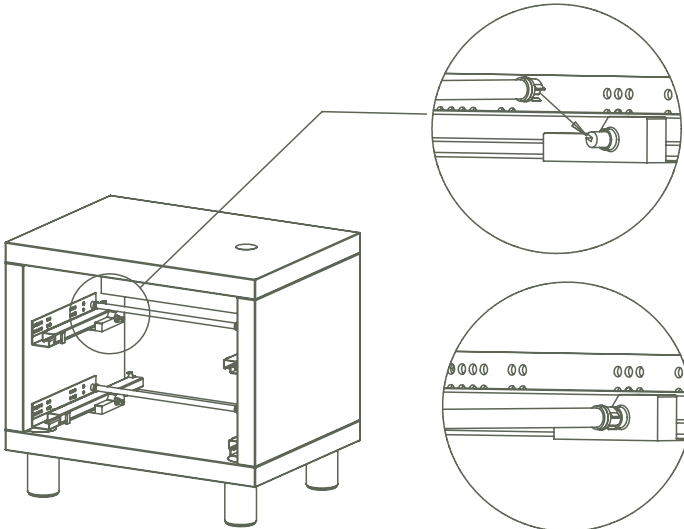
Click the button to watch the assembly video



Push the runner here



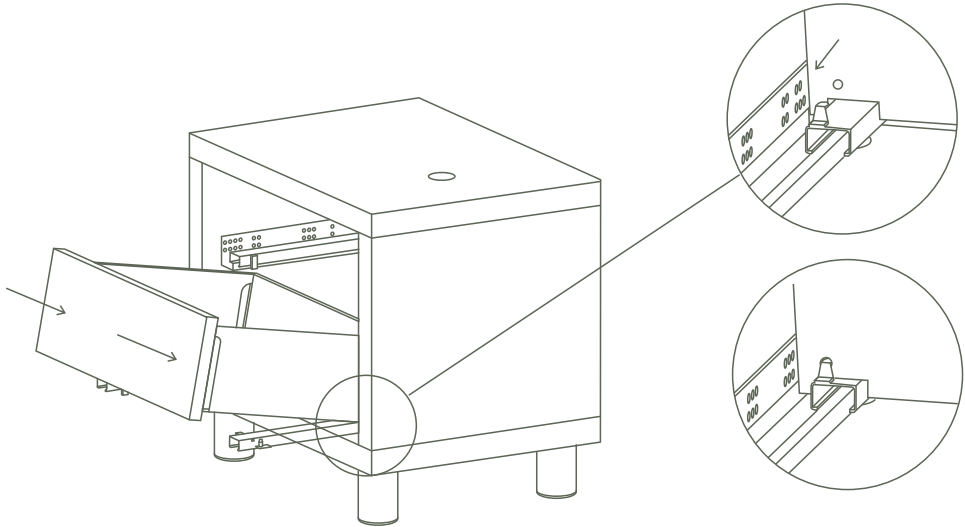
**13.** Clip on Synchro rod as shown. Repeat this step for all remaining synchro rods.



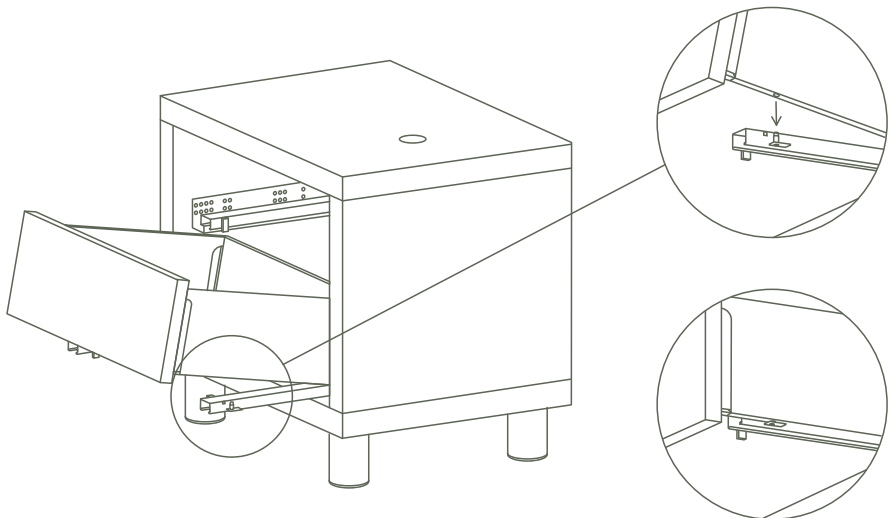
x2

- 14.** Insert the lower drawer onto the runners. Ensure the hook in the rear is aligned with the hole on the Rear Drawer Panel.

Click the button to watch the assembly video



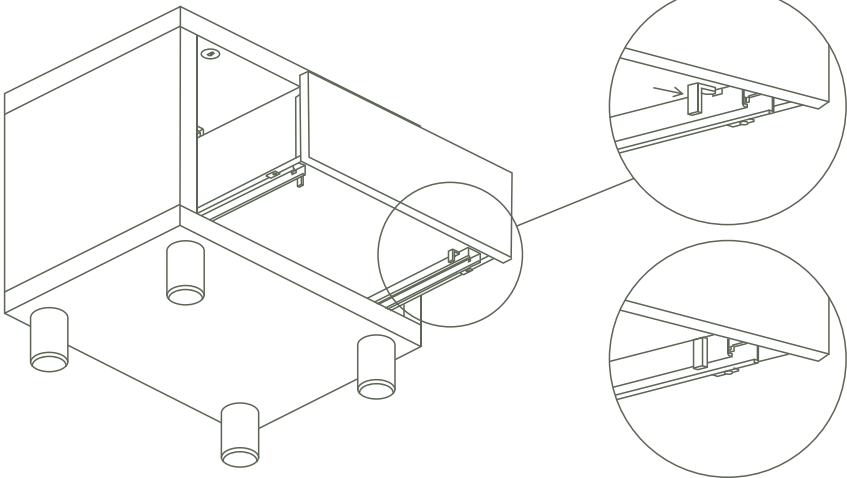
- 15.** Align the pin of the runner to the dowel hole on the side panel and carefully lower the drawer into position.



**16.**

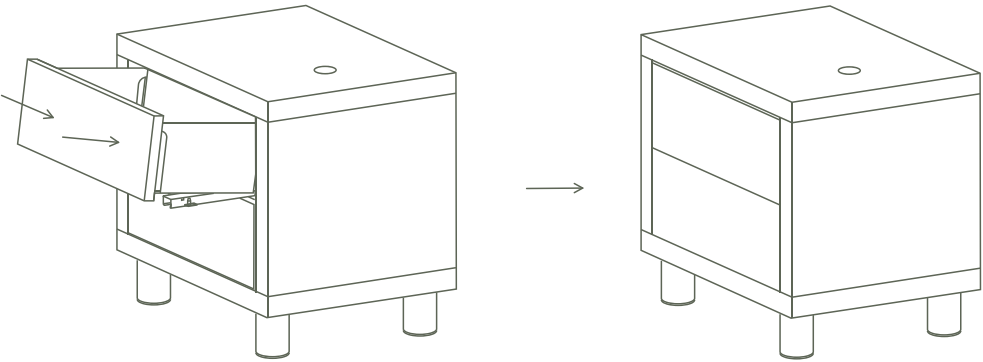
Press the tabs on the underside into the closed position as shown then push the drawer in. Repeat for the other side.

Click the button to watch the assembly video



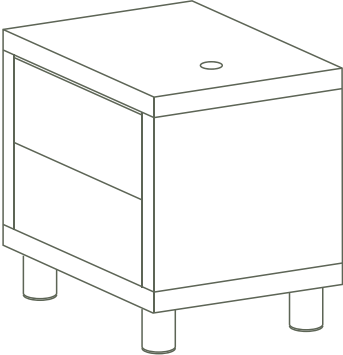
**17.**

Repeat steps 12-15 for the top drawer.





Enjoy!





### How to care for your new Balmain Bedside Table

#### Regular Care (Weekly)

- Dust surface with a dry cloth or duster in the direction of the natural grain.
- Protect from direct sunlight.
- Do not place hot or wet objects directly on the top, use coasters to protect the surface.

#### Cleaning

- Treat spills as soon as possible, wipe down with clean dry cloth.
- Do not use abrasive cloths, concentrated detergents, silicon based wood polishes.

#### Safety Information

- Do not allow small children from climbing on the furniture.
- Do not open more than one drawer at a time.
- Be aware that uneven or soft floor surfaces can affect furniture stability.

#### Wireless Charger

**Avoid Pinching Cables:** Ensure that the cables connected to the wireless charger are not pinched between moving parts of the furniture, such as drawers or hinges. This could damage the cables or affect the charging capability.

**Regular Inspection:** Periodically inspect the furniture to ensure that there are no visible signs of wear or damage to the charging components or cables. If you notice any fraying, cracking or similar damage, unplug and discontinue use to avoid any risk of malfunction or overheating. Contact Koala for further assistance.

**Avoid Water Damage:** Keep liquids away from the charging area to prevent any water damage to the charger or cables. Spills could potentially short-circuit the charging system and pose safety Hazards.

#### Specification:

Wireless Charger

Input: 5VDC 3A or 9VDC 2.22 A or 12VDC 1.67A

Output: 20W Max

#### Power Adapter

Input: 100-240V~ 50/60Hz, 0.6A

Output: 5VDC 3A or 9VDC 2.22 A or 12VDC 1.67A

Power: 20W Max



### Device Compatibility

Most smartphones manufactured after 2017 support Qi wireless charging and are compatible with the Balmain Bedroom Storage range.

To check that your phone is compatible with Qi charging devices, head to your phone manufacturer's website or consult your device's user manual.

### How to get the best charging experience:

- To ensure efficient charging, position your phone directly over the wireless charging indicator. Try repositioning your phone if the wireless charger does not connect the first time.

### Troubleshooting

- Your phone case thickness and material may affect the charging performance, if you are experiencing issues, try removing the case before charging.
- Do not use phone cases with metal surrounding the phone and be sure that there are no metal or magnetic objects, coins or bank cards obstructing the phone and charging surface.
- Check that the wireless charger is properly plugged in and the power source is on.
- Still not working? Try using another Qi-compatible phone (without a case) and test it to see if the problem lies with your phone or its case.

### Warranty

This product (excluding the wireless charger) is covered by Koala's five (5) year warranty for furniture products. The wireless charger is covered by Koala's one (1) year warranty for electrical components.

You can find full warranty details at this link: <https://koala.com/en-au/warranty>