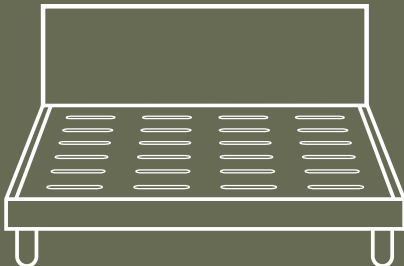


Balmain Bed Base

King Single, Double,
Queen

Click the button
to watch the
assembly video

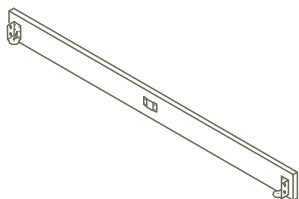


o | o o K

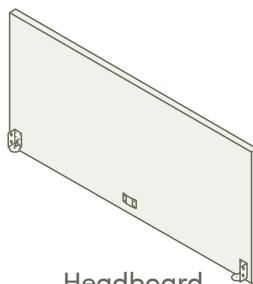
What's in the box*

*Not to scale

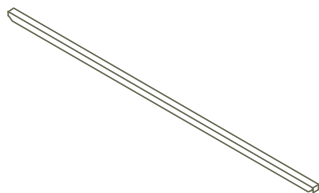
If your bed has a headboard, it will come with one end rail.
If it doesn't have a headboard, you'll receive two end rails.



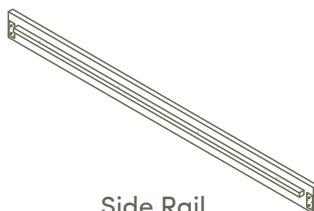
End Rail
x2/x1



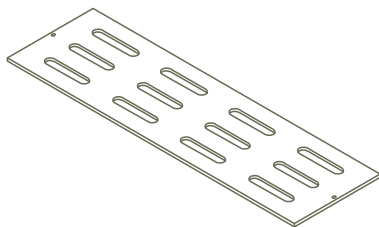
Headboard
x1



Centre Rail
x1



Side Rail
x2



Platform
x4



Leg
x4

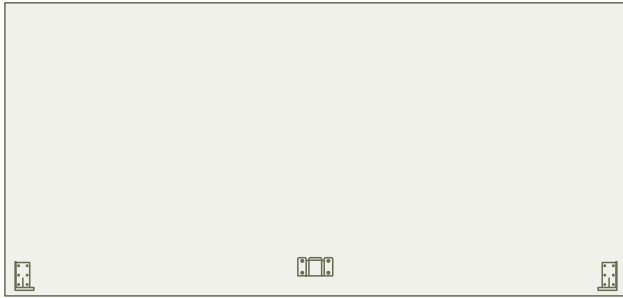


Gumnut
x8

Position the headboard, side rails, and end rails in the desired location where you want to set up your bed.



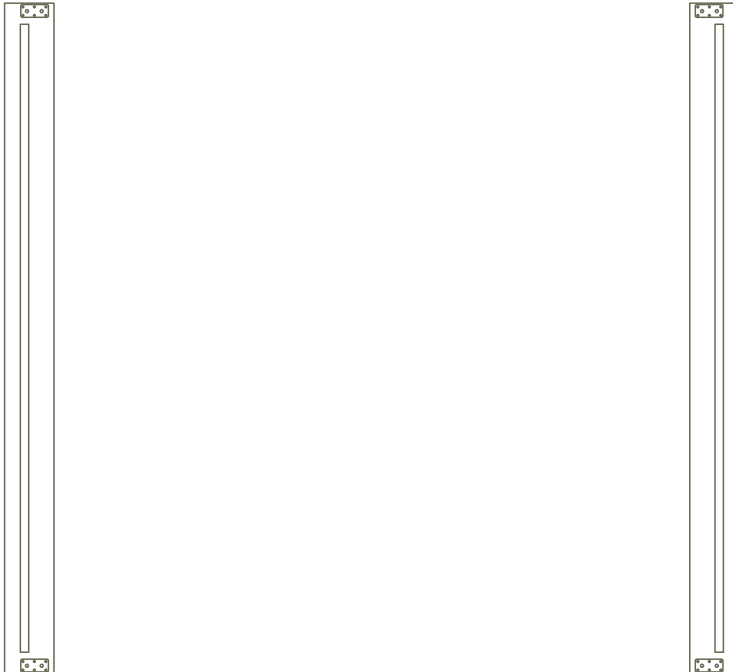
Use either the headboard or the end rail, depending on which one came with your purchase.



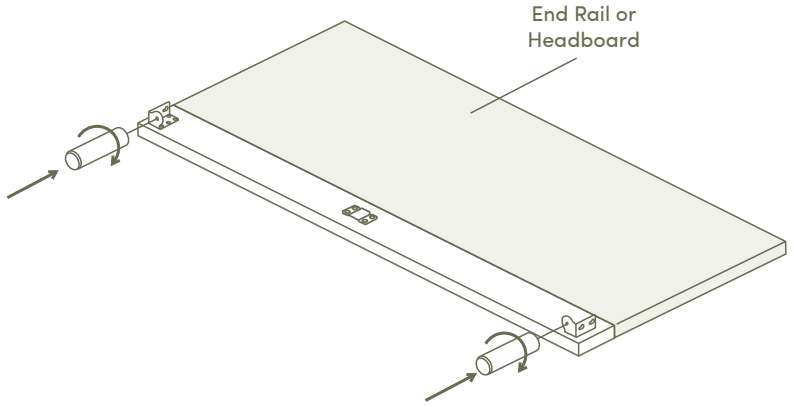
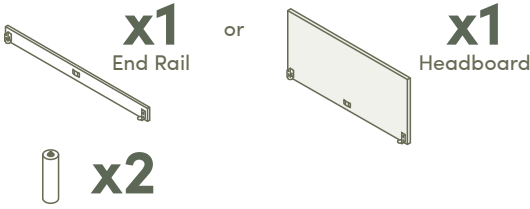
Headboard



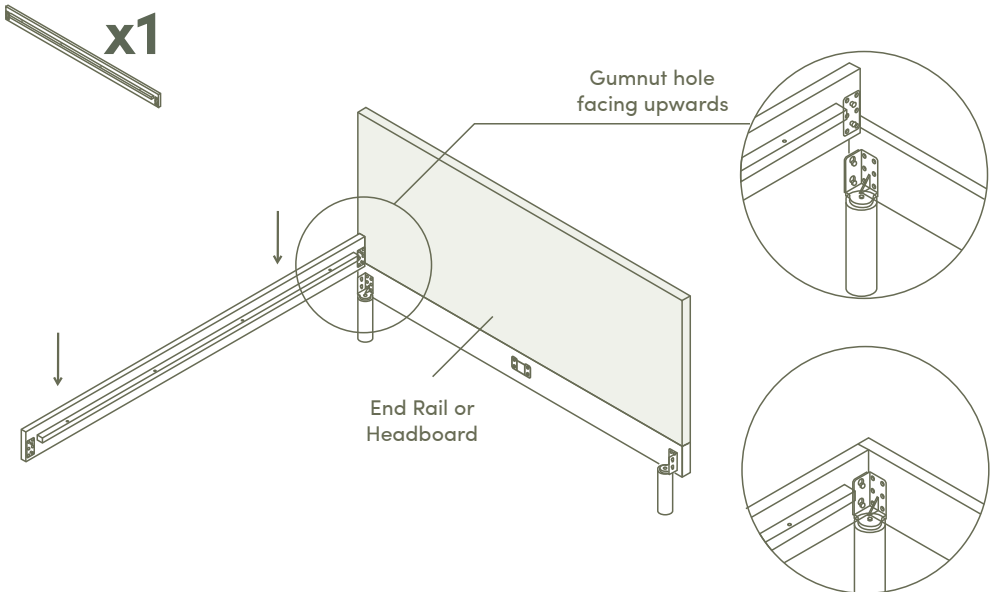
End Rail



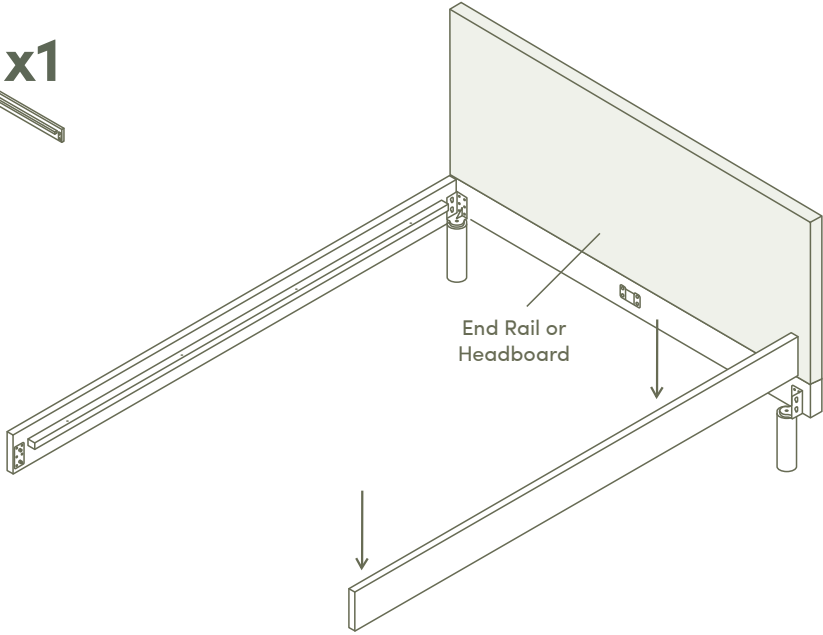
- 1.** Screw in corner legs to end rail or headboard. Repeat this step for remaining end rail.



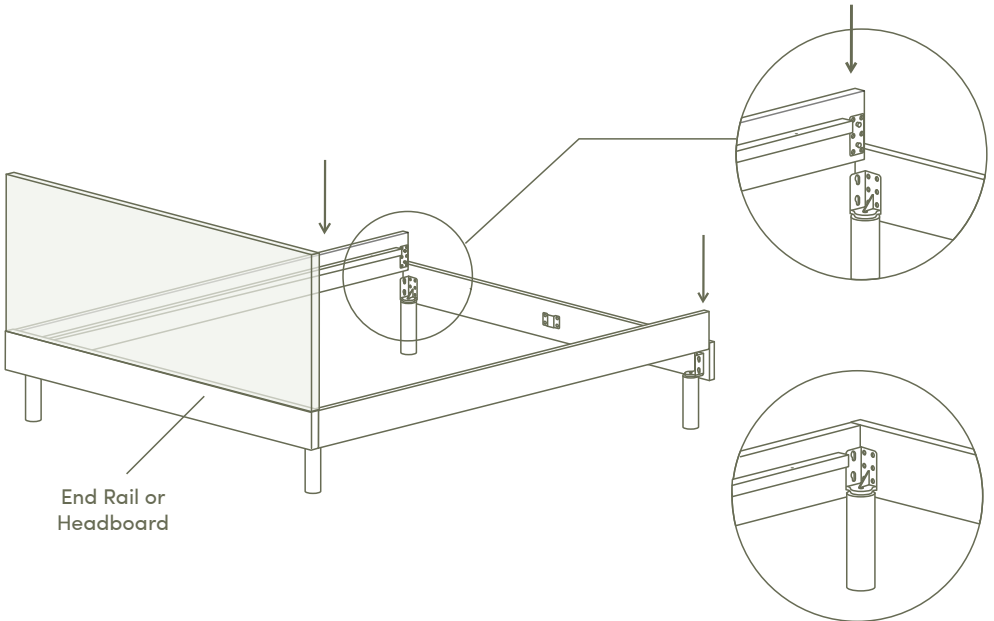
- 2.** Attach the side rail to end rail or headboard by aligning the pins into the holes and pushing down.



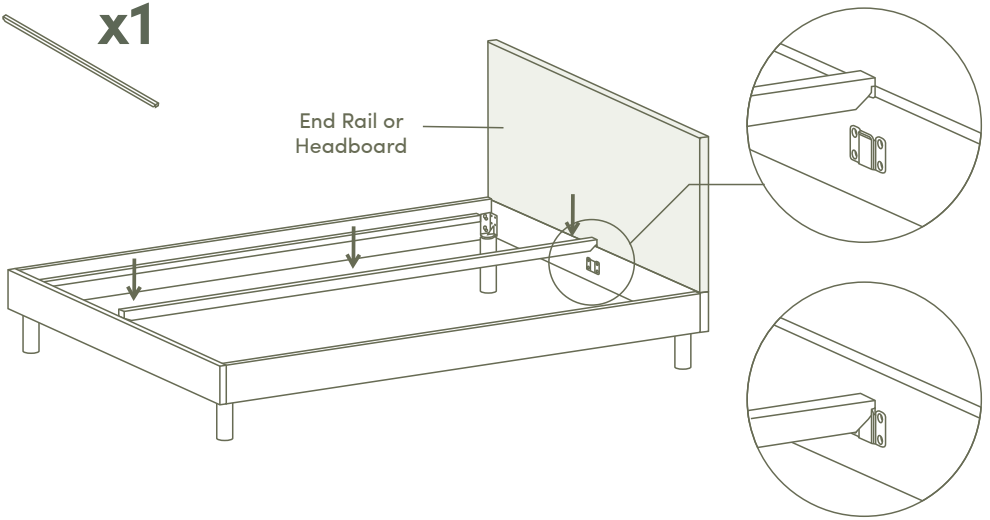
3. Repeat the prior step with the other side rail.



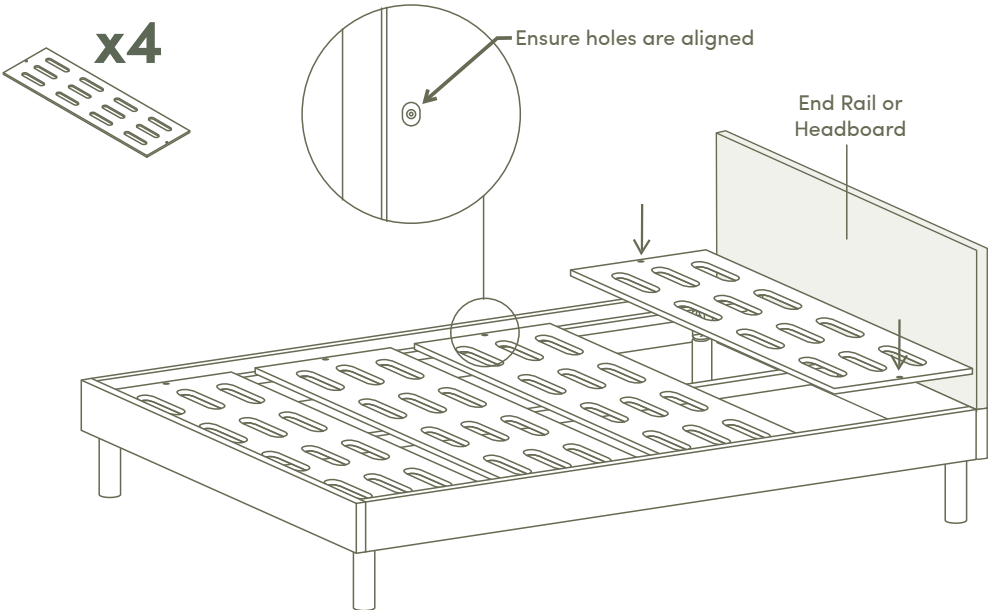
4. Align and fit the side rails into the end rail.



5. Assemble centre rail to the endrails by placing the tab inside the brackets.



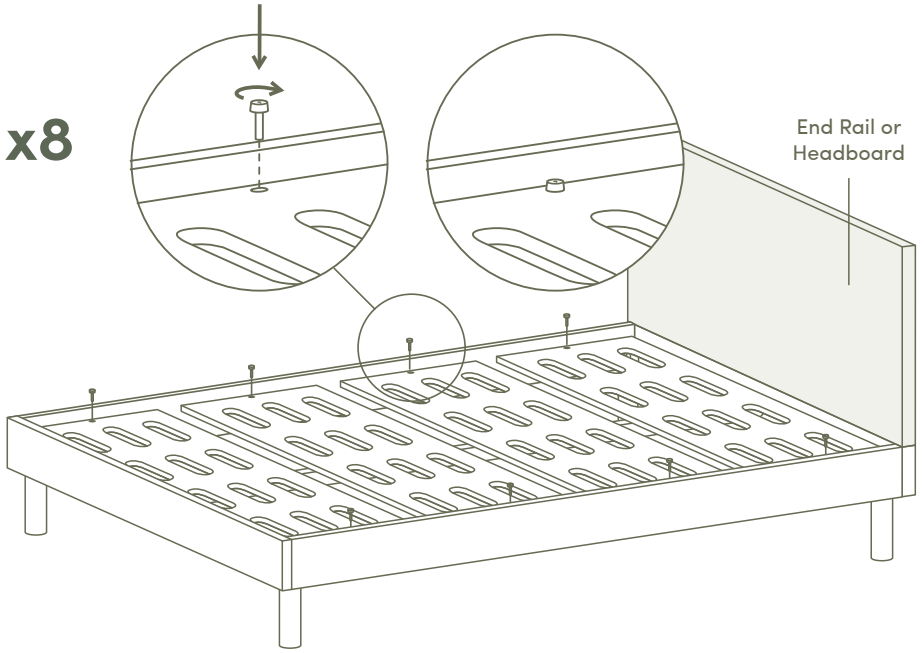
6. Evenly space the platforms onto bedframe. Align holes with side rails.



7. Screw in all gumnuts to secure platforms.



x8



Product Information and Care

TIMBER

Regular Care (Weekly)

- Dust surface with a dry cloth or duster in the direction of the natural grain.
- Protect from direct sunlight.
- Do not place hot objects directly into the surface of the table.

Cleaning

- Treat spills as soon as possible, wipe down with clean dry cloth.
- Do not use abrasive cloths, concentrated detergents, silicon based wood polishes.

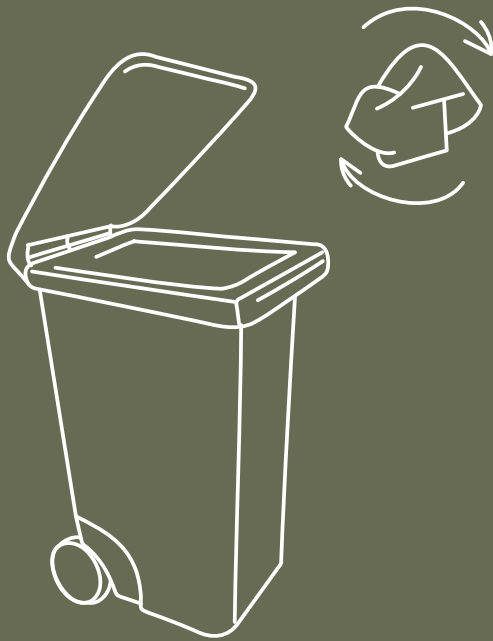
Good to Know

- Timber is a natural product and there will be variation in grain, colour and features such as knots. Over time the colour of timber will naturally change.

USING THE BED

Weight Capacity

- Although we don't provide a specific weight limit on our beds because everyone uses them differently, we've put this bed through its paces with rigorous testing of key components up to 240kg static weight. This does not mean the bed can not take more weight.



Don't forget to recycle.

kóala