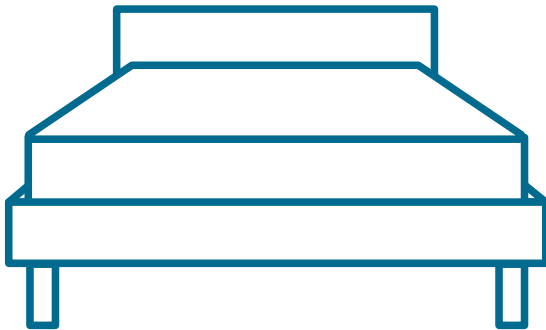


Click the button
to watch the
assembly video

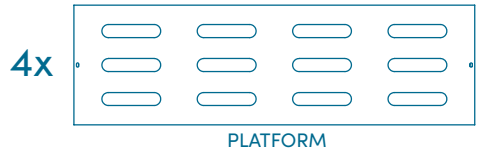
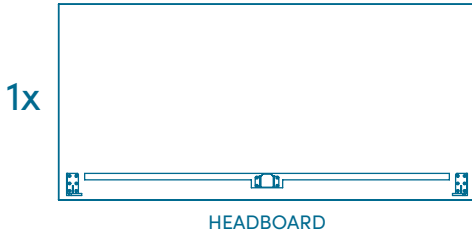


**QUEEN, DOUBLE & KING SINGLE
BALMAIN BED**

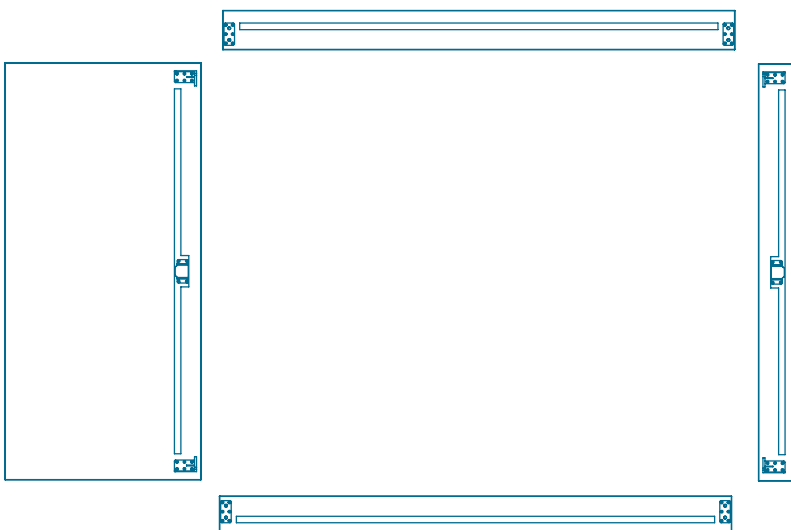
Korona

1.

Click the button
to watch the
assembly video

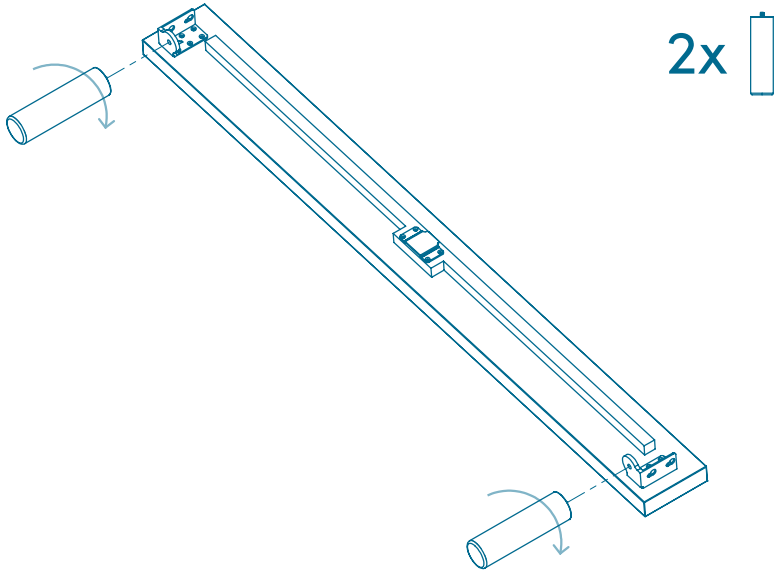


2. place the headboard, foot rail and side rails where you want
to position your bed

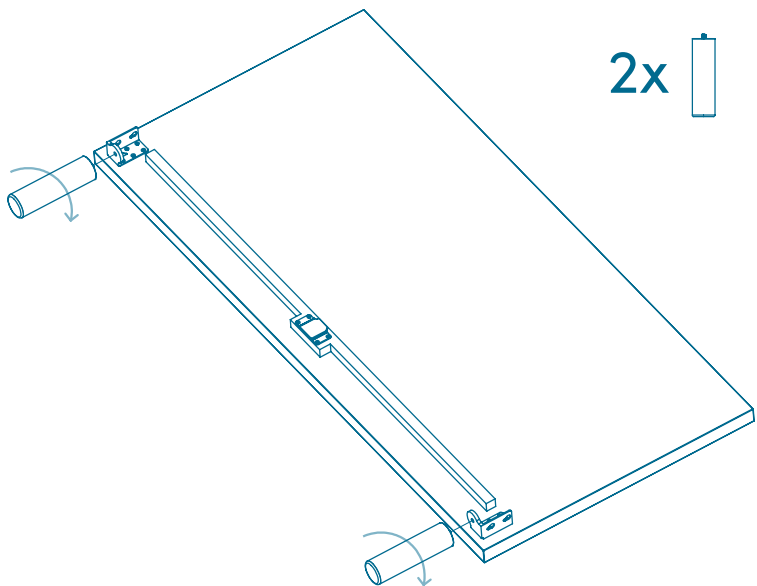


3. screw in corner legs to foot rail

Click the button
to watch the
assembly video

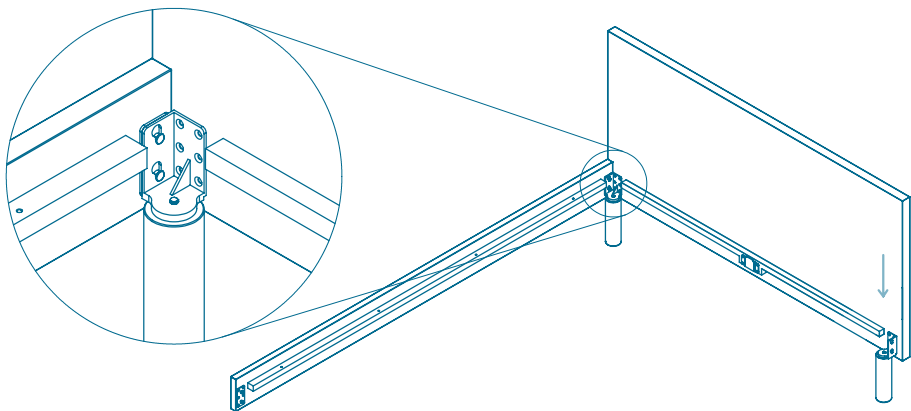
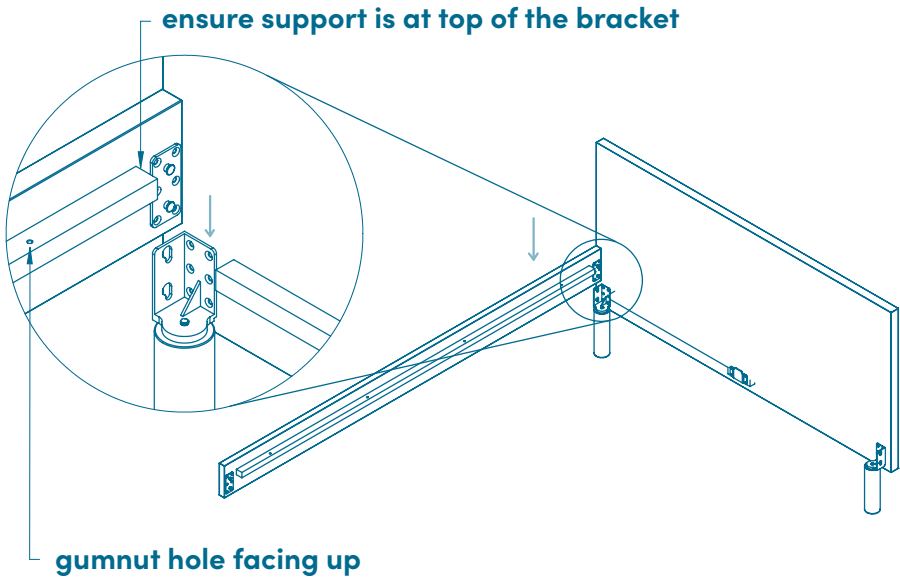


4. screw in corner legs to headboard



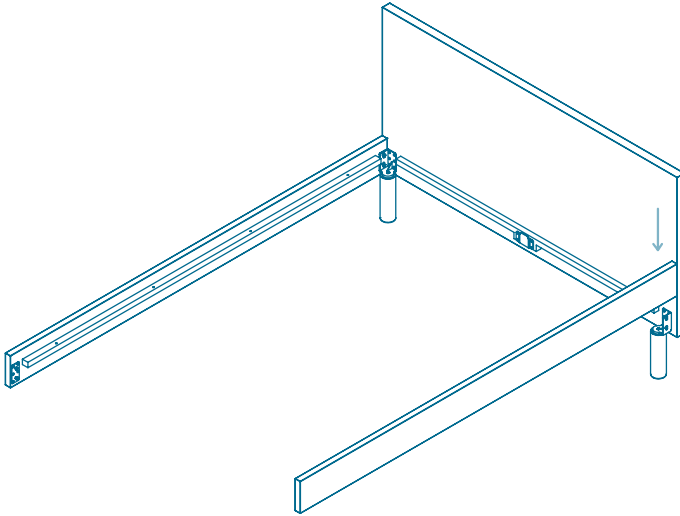
5. attach the side rails to headboard
by aligning the pins into the holes and
pushing down

Click the button
to watch the
assembly video

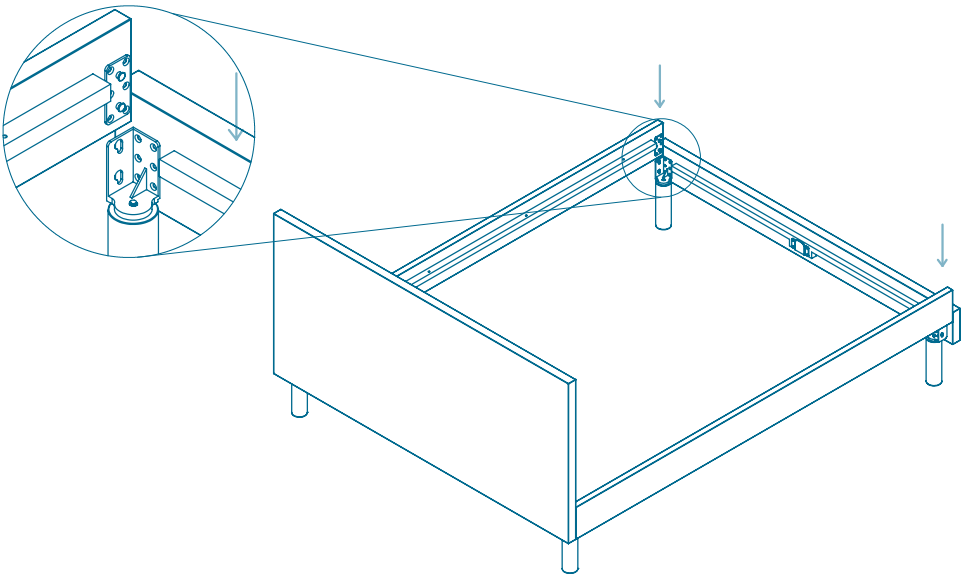


6. repeat the prior step with the other side rail

Click the button
to watch the
assembly video

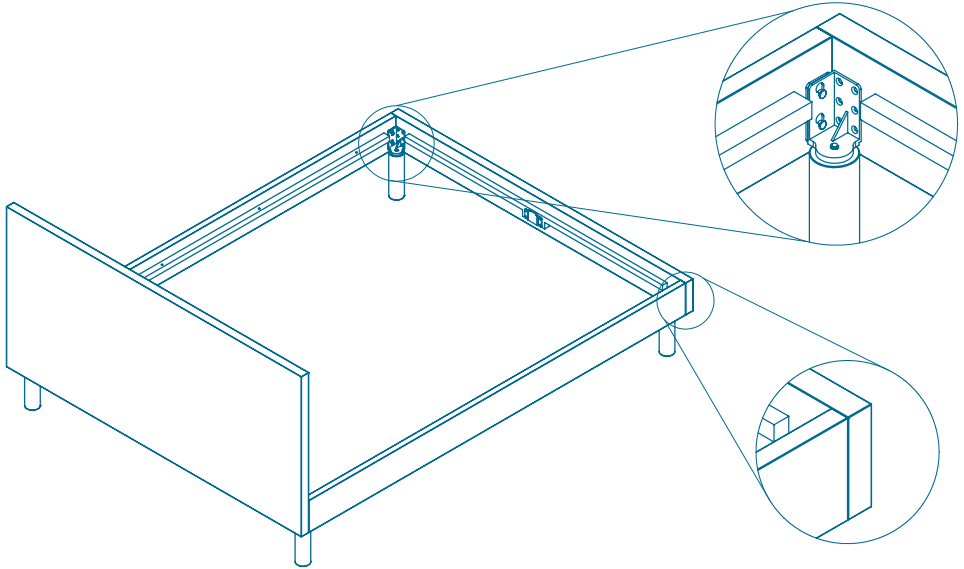


7. align and fit the side rails into the foot rail

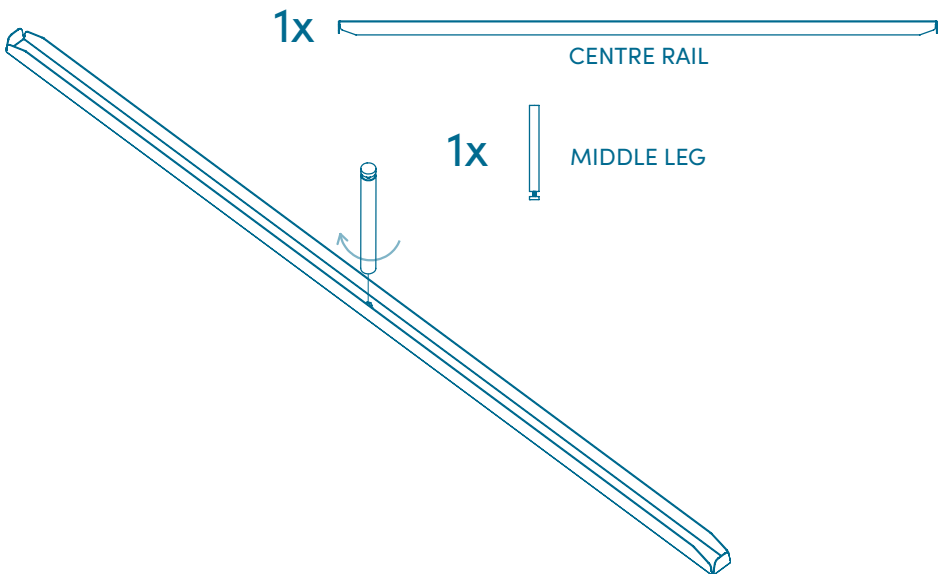


8. make sure all pins are at the bottom of the bracket slots and the foot rail is flush with the side rail

Click the button to watch the assembly video

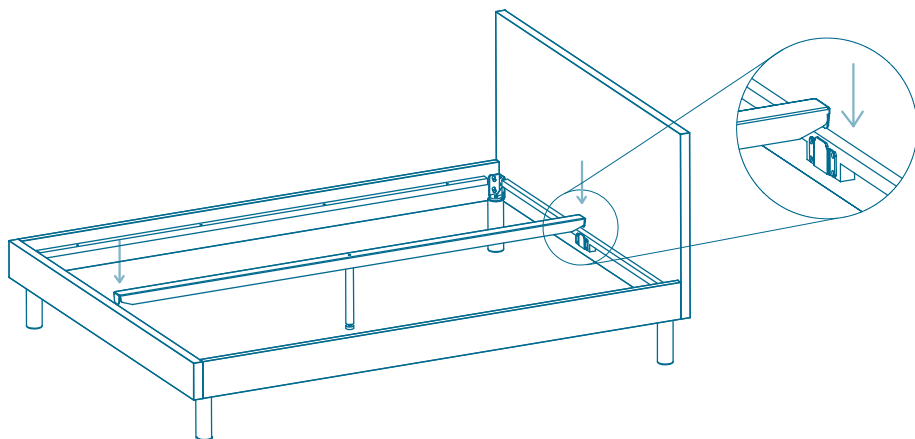


9. screw metal leg into metal centre rail

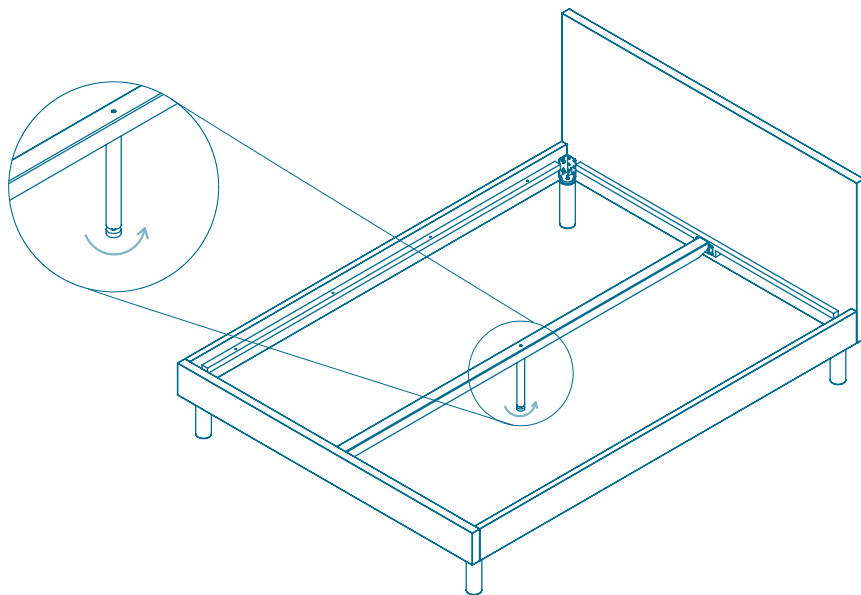


10. assemble centre rail to headboard and foot rail by placing the tab inside the brackets

Click the button to watch the assembly video

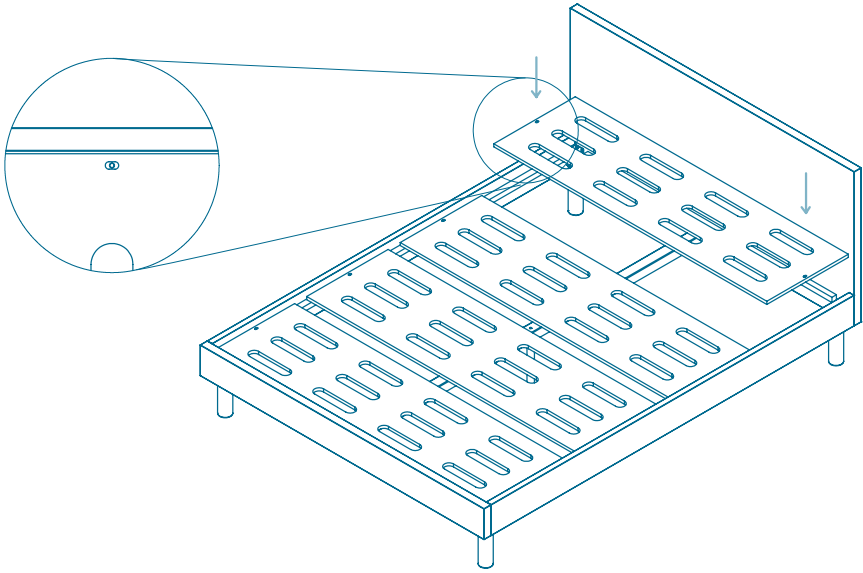


11. adjust the foot on the metal leg so it almost touches the ground



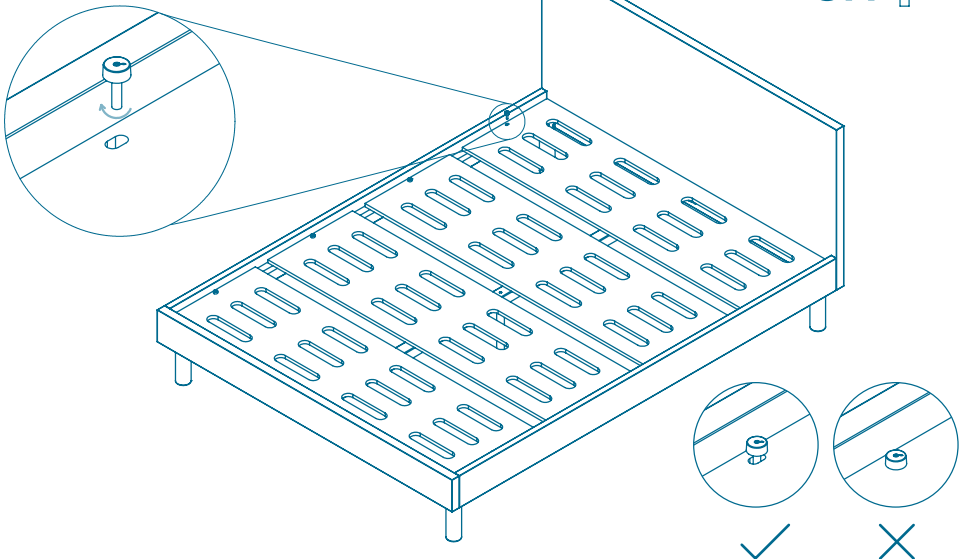
12. evenly space the platforms onto bedframe. align holes with side rails

Click the button to watch the assembly video



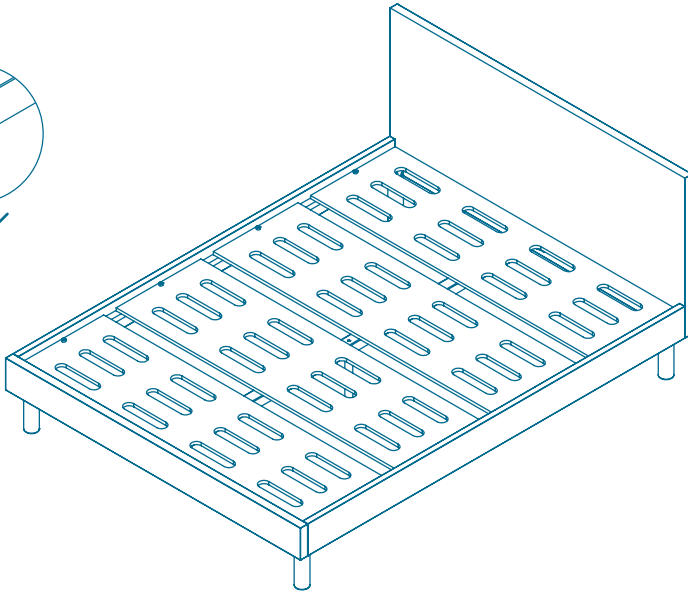
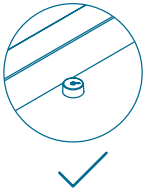
13. loosely screw in all gumnuts to secure platforms

8x 

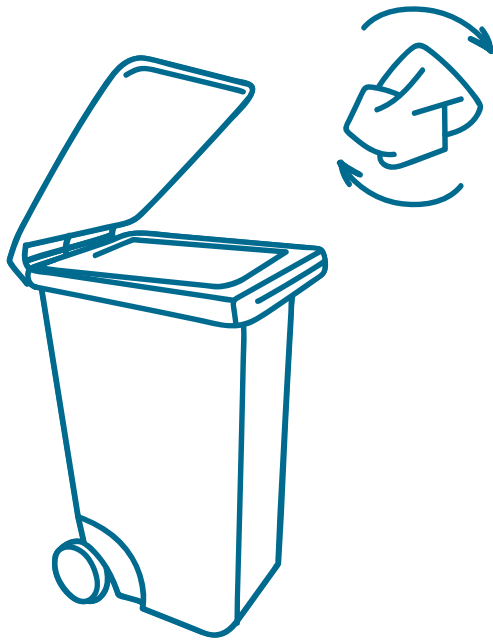


14. tighten all gumnuts to complete assembly

Click the button to watch the assembly video



Click the button
to watch the
assembly video



don't forget to recycle.

koala