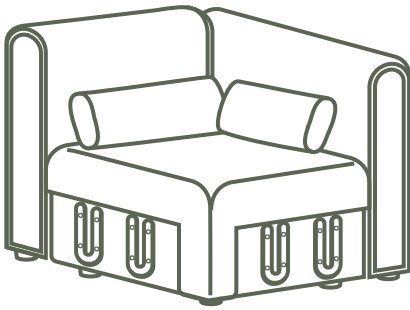


Jan 2024

Click the button  
to watch the  
assembly video



Corner Module

**BANGALOW MODULAR SOFA**

**Ko'da**

# What's in the box\*:

\*Not to scale

Click the button  
to watch the  
assembly video



## BOX 1



**x1**

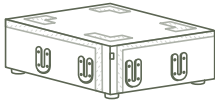
Corner Module  
Cushion



**x4**  
hook

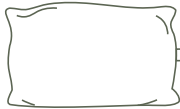


**x4**  
Leg



**x1**

Corner Module  
Frame

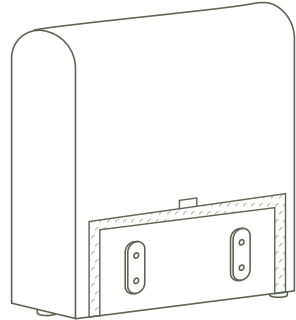


**x2**

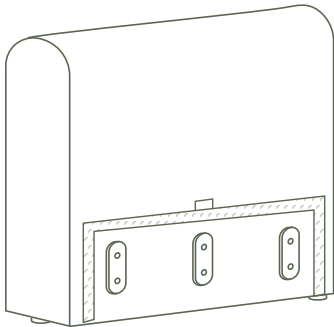
Small Backrest  
Cushion Insert

## BOX 2

**x1** Small Backrest  
Module Frame



## BOX 3



**x1**

Large Armrest/Backrest  
Module Frame

## BOX 4

**x2**



Small Backrest  
Cushion Cover

**x1**



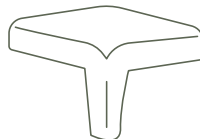
Small  
Backrest  
Module Cover

**x1**



Large  
Armrest/Backrest  
Module Cover

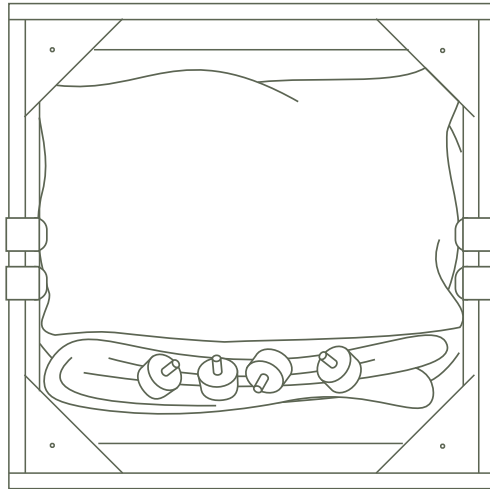
**x1**



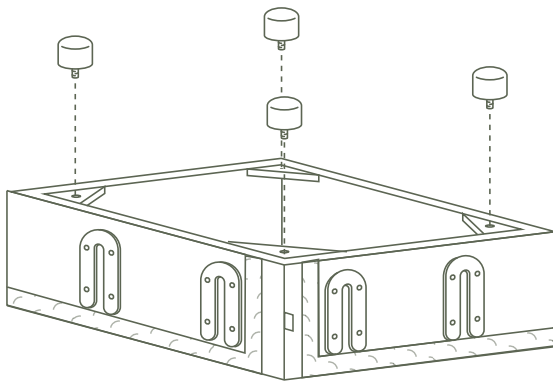
Corner Module  
Cover

- 1.** Remove the corner module cushion, backrest cushion inserts, legs and hooks from the corner module frame.

Click the button to watch the assembly video



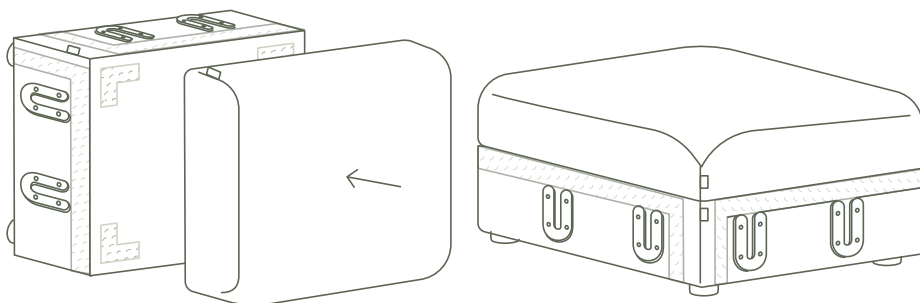
- 2.** Screw the legs into the corner module frame.



**x4**

**3.** Place the corner module frame on its side then align the labels and place the cushion on the frame.

Click the button to watch the assembly video



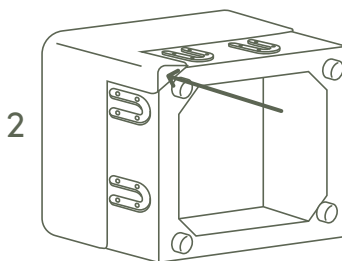
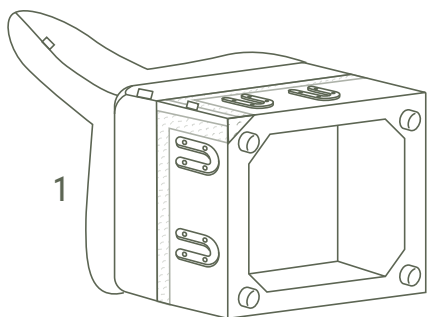
Ensure all yellow tags align



The velcro is colour coordinated

---

**4.** Grab the corner module cover, align the module labels and secure the cover velcro in place.



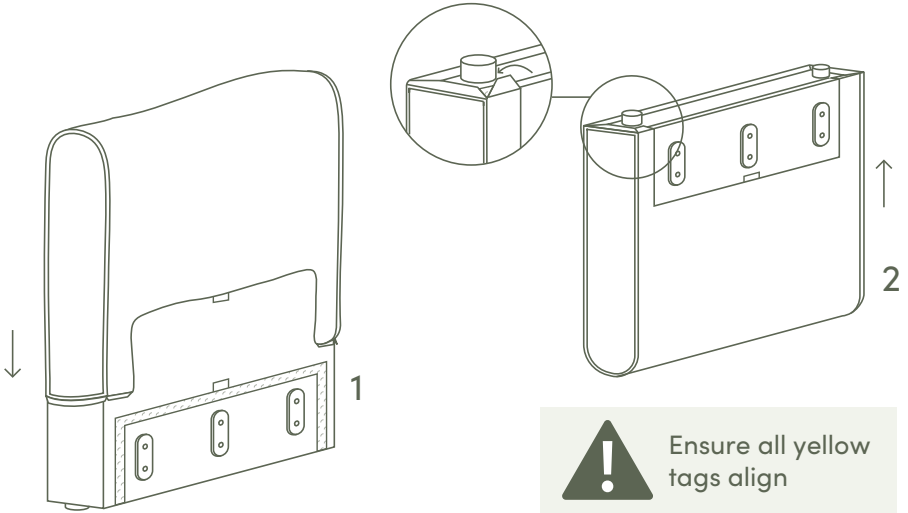
Ensure all yellow tags align



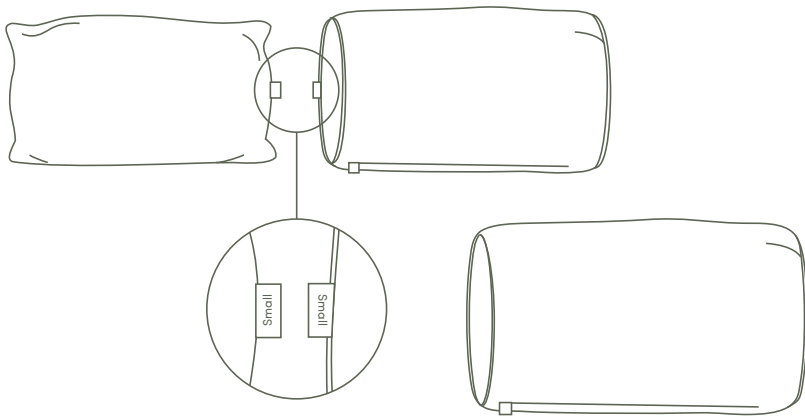
The velcro is colour coordinated

- 5.** Grab the armrest/backrest module cover, align the frame label with the cover label then tug the cover onto the frame and secure the velcro in place. Repeat.

Click the button to watch the assembly video



- 6.** Place the backrest cushion insert into the backrest cushion cover and close the zip. Repeat.

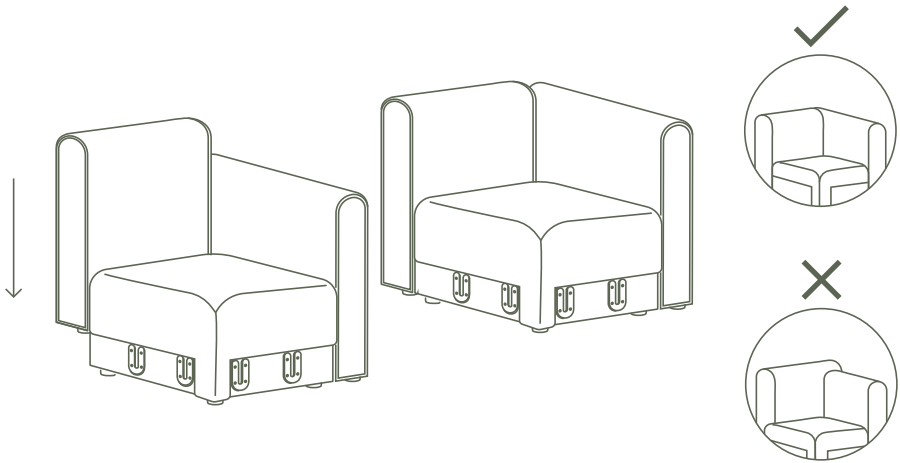


Massage the cushion into shape if required

# 7.

Align the wedge brackets to connect the armrest/backrest modules to the corner module and slide all the way down.

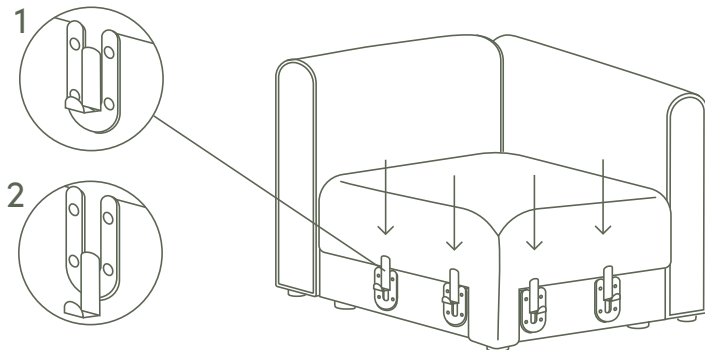
Click the button to watch the assembly video



The armrest/backrest modules should line up with the corner module on each side if assembled correctly

# 8.

To build out your Bangalow Sofa, install the hooks on the module and push all the way down.



x4

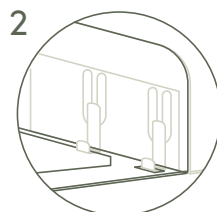
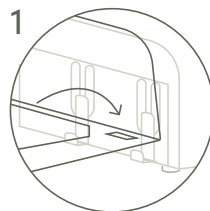
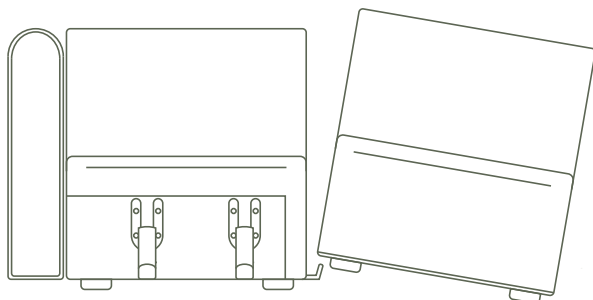


- 9.** Align the front and back of the seats then lift the next module onto the hooks to connect them together.

Click the button to watch the assembly video

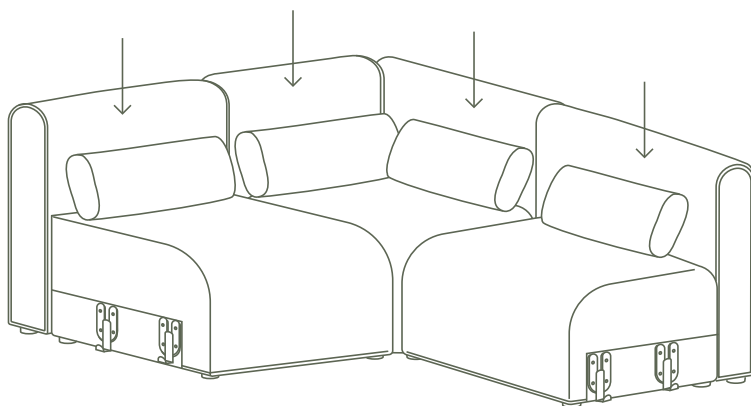


Repeat until all modules are connected.



You will have 2-4 left over hooks upon completion of assembly

- 
- 10.** Place your backrest cushions onto the modules.



...use the "Armrest/Backrest Module" assembly instructions to complete your Bangalow Modular Sofa.

## Product Information and Care

### **LINING FABRIC**

#### Regular Care (Weekly)

- Vacuum regularly using low suction.
- Protect from direct sunlight.

#### Spot Cleaning

- Remove any spills immediately by gently blotting any liquid with a clean cloth.
- Scoop up any solids before blotting the remaining liquid.
- Use a mild detergent to gently remove any loose soilage.
- Do not scrub with a sti brush.
- Use a clean cloth to blot out any excess liquid.
- Avoid over wetting as this may result in a water mark.
- Allow the fabric to air dry in a well ventilated area away from direct sunlight.

**NOTE:** PRETEST THE CLEANING METHOD ON A HIDDEN AREA OF THE SOFA. IF CHANGE IN COLOUR, OR TRANSFER DO NOT CONTINUE.

### **PILLING**

Pilling can occur occasionally as a result of normal daily wear and should not be considered a fault. Fibre pills can be removed with a battery operated pilling tool, available from most haberdashery stores.

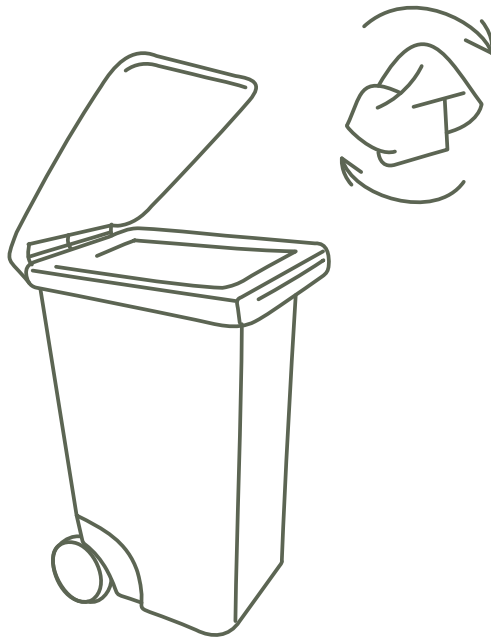
### **REMOVABLE COVERS**

For correct care of the removable covers refer to the care label inside covers for additional cleaning instructions.

**WARNING:** CARELESS USE OF CIGARETTES AND MATCHES COULD SET FIRE TO THIS PRODUCT.



Click the button  
to watch the  
assembly video



don't forget to recycle.

**koala**